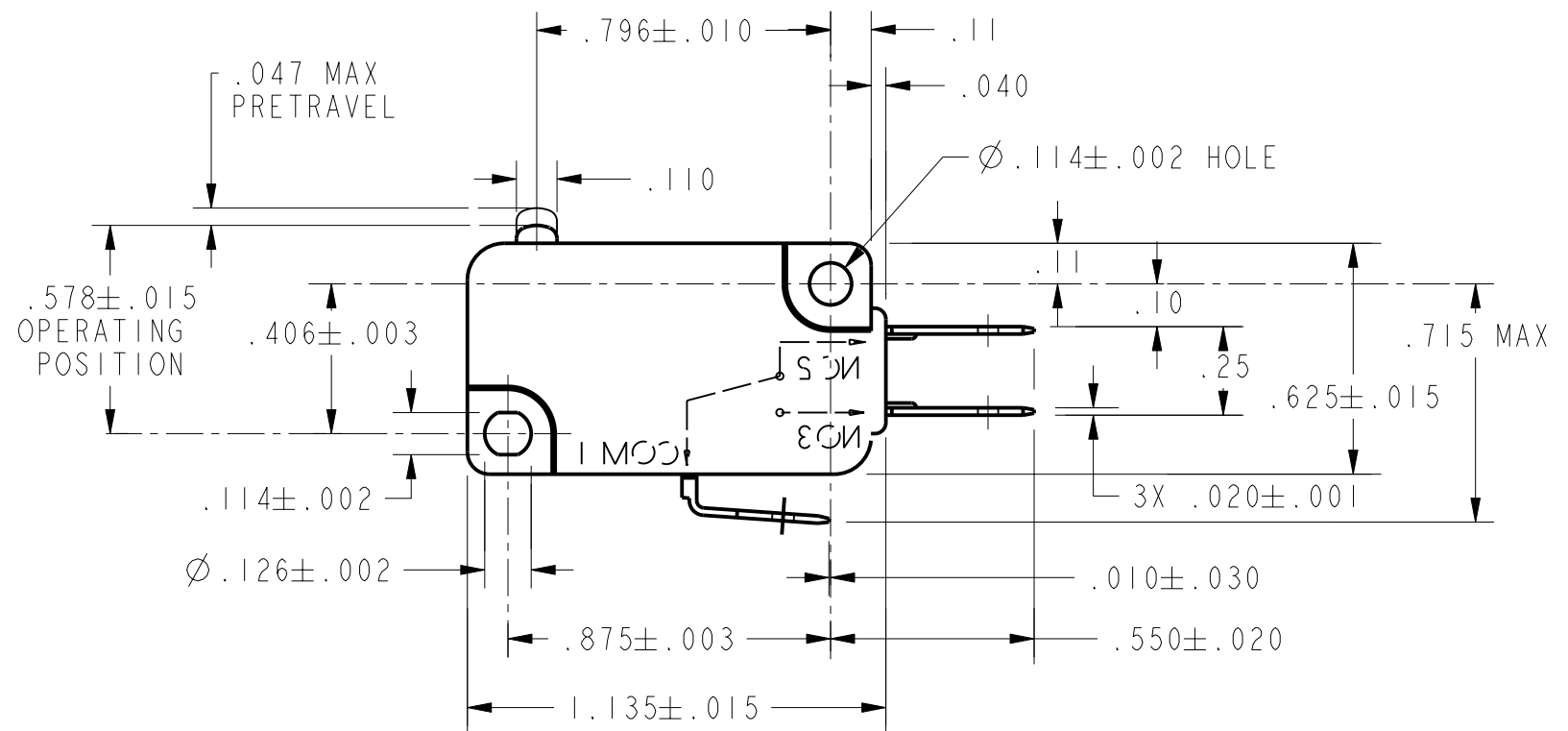
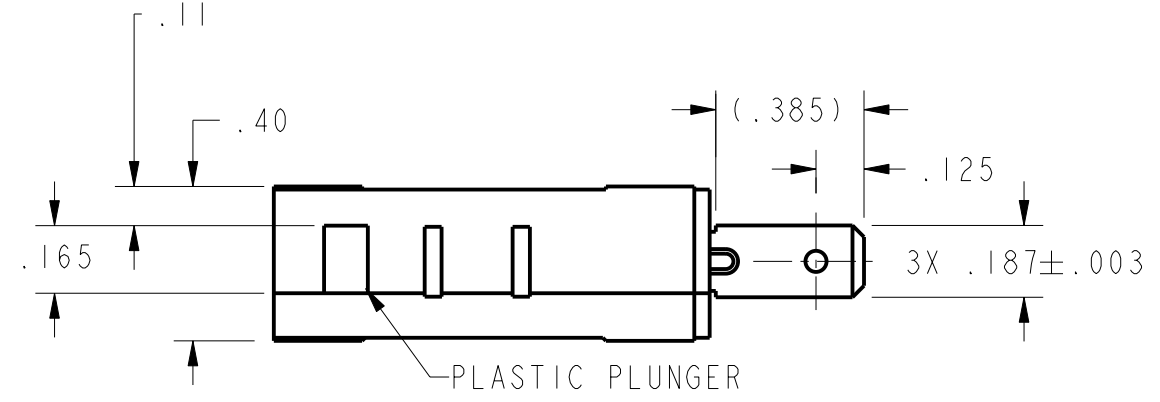


CW-C6002

REV	DOCUMENT	CHANGED BY	CHECK
2	202141	GJW 11JAN01	SAV
3	203808	JLH 28AUG01	SAV



CHARACTERISTICS	
OPERATING FORCE-----	6-14 OZ
RELEASE FORCE-----	4 OZ MIN
DIFFERENTIAL TRAVEL-----	.006-.016
OVERTRAVEL-----	.040 MIN
FREE POSITION-----	.625 MAX
RELEASE TRAVEL-----	.007 MIN

ELECTRICAL DATA	
CONTACT ARRANGEMENT S P D T	
L156 11A 1/3HP 125, 250 OR 277 VAC 1/2A 125 VDC, 1/4A 250 VDC 4A 125 VAC "L"	

UNLESS OTHERWISE SPECIFIED TOLERANCES ARE:			
	<input checked="" type="checkbox"/> US (inch) CUSTOMARY	<input type="checkbox"/> SI (mm) METRIC	
NO PLACE	X	±.040	±1
ONE PLACE	.X	±.030	±0,4
TWO PLACE	.XX	±.015	±0,15
THREE PLACE	.XXX	±.005	±
ANGLES		±	±
RAW MATERIAL-COMMERCIAL STANDARD			
THIRD ANGLE PROJECTION			

DRAWN	GJW	11JAN01
CHECK	SAV	11JAN01
THIS DRAWING COVERS A PROPRIETARY ITEM AND IS THE PROPERTY OF HONEYWELL SENSING AND CONTROL. THIS DRAWING IS NOT TO BE COPIED OR USED WITHOUT THE PERMISSION OF HONEYWELL.		
DIMENSIONS ARE TO BE MET BEFORE PROTECTIVE COATINGS ARE APPLIED		
PTC 2D	ASME Y14.5M-1994	

Honeywell Sensing and Control			
TITLE SWITCH, BASIC			
SIZE	DWG TYPE	DRAWING NAME	REV
B	I	V7-6B19D8	3
SCALE	NONE	WEIGHT	SHEET 1 OF 1