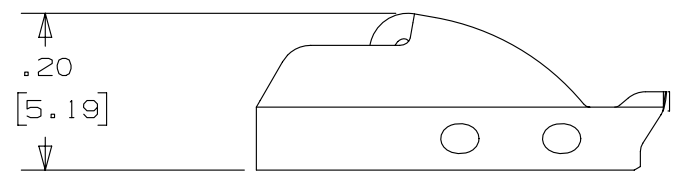
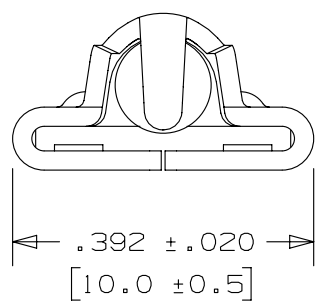
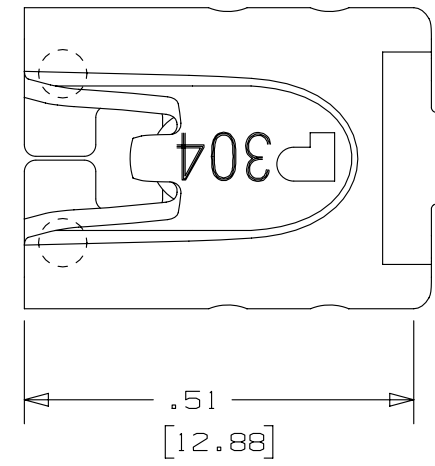


THIS COPY IS PROVIDED ON A RESTRICTED BASIS AND IS NOT TO BE USED IN ANY WAY DETRIMENTAL TO THE INTERESTS OF PANDUIT CORP.

NOTES:

1. TO BE USED WITH PANDUIT METAL BANDING MBH-MR & MBH-TLR.
2. APPLICATION TOOL: GS4MT, ST2MT, PPTMT, ST3MT<sup>(A)</sup>, OR HTMT.
3. TOOL TENSION SETTING: 4 TO 8 (GS4MT AND PPTMT ONLY)
4. DIMENSIONS IN [ ] ARE MILLIMETERS.
5. MINIMUM LOOP TENSILE STRENGTH: 250 LBS (1112 N)<sup>(B)</sup>
6. TOLERANCES: .X = ±.030 [ .762 ]  
 .XX = ±.020 [ .508 ]  
 .XXX = ±.010 [ .254 ]  
 ANGLES = ±2°



TITLE		METAL TIE HEAD HEAVY PART NUMBER MTHH-C	
CUSTOMER DRAWING			
ITEM REVISION NAME	N41130BS/02	<b>PANDUIT</b>	
DATASET FILE NAME	N41130BS/02		
UNLESS OTHERWISE SPECIFIED, DIMENSIONAL TOLERANCES ARE: IN [ mm ]		MATERIAL:	
.x ± .1 [ 2.54 ]	.xxx ± .005 [ .127 ]	304 STAINLESS STEEL	
.xx ± .01 [ .25 ]	ANGLES ± 5 °	DRAWING NUMBER:	
THIRD ANGLE PROJECTION		N41130BS_DC	
DRAWN BY	DATE	CHK	SCALE
JAMB	DPN	11/02	4:1
SHT 1 OF 1			SIZE
			A

REV	DATE	BY	CHK	APR	DESCRIPTION	ECN
01	10/03	BRH	DPN	JJB	(A) ADDED ST3MT TO APPLICATION TOOL NOTE (B) ADDED TENSILE STRENGTH NOTE	11162
00	11/02	JAMB	DPN	JJB	DRAWING RELEASED	10401