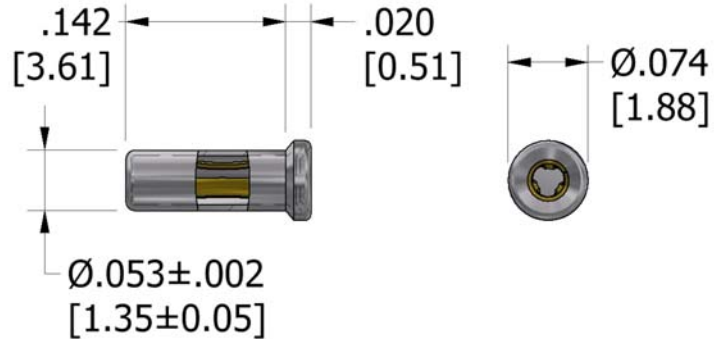


450-3703 Solder mount socket, for .025 (0,64) diameter pins

Recommended mounting hole .057 (1,45) ± .001 (0,03)



Min hole depth .141 [3.58]

How to order code
450-3703-01-XX-00
 Basic Part No XX = Finish

MATERIALS				
Component	Material	Finish(-03)	Finish(-04)	Finish(-06)
Body	Copper	Gold over Nickel	Tin	Tin
Spring	Beryllium copper	Gold over Nickel	Tin	Gold over Nickel



Dimensions in inches [mm]
 Tolerance unless otherwise stated ±.005 [0.13]