



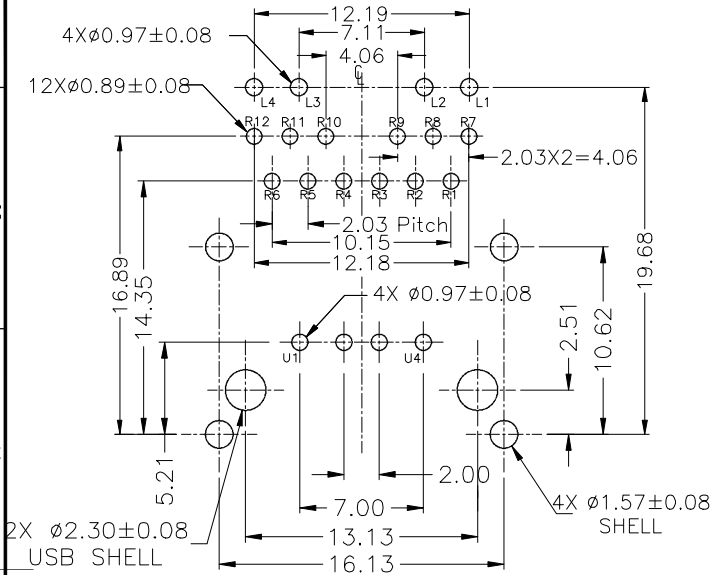
This document is the property of Amphenol Corporation and is delivered on the express condition that it is not to be disclosed, reproduced or used, in whole or in part, for manufacture or sale by anyone other than Amphenol Corporation without its prior consent, and that no right is granted to disclose or to use any information in this document.

The marking on this product doesn't contain environmental hazardous materials per Material Specification SS-00259 for Sony GP compliant or per directive 2002/95/EC for RoHS compliant.

# CUSTOMER DRAWING

## ORIGINAL

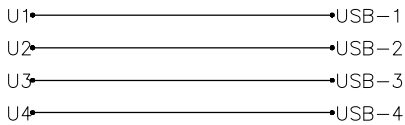
REVISIONS				
SYM	ECN No.	DESCRIPTION	DATE	APPROVED
A		PRELIMINARY RELEASED	Jun.01.09	Greg L
B	ECN-10-037	MODIFY THE USB CONTACT PLANTING TO 30u"	11/11/2010	Roger Tsai
C	NE-16151	ADD THE PANEL OPEN SIZE	06/21/2016	Roger Tsai



RECOMMENDED PCB LAYOUT COMPONENT SIDE

PCB THICKNESS : 1.60mm  
ALL DIMENSION TOLERANCE ARE ±0.05 UNLESS OTHERWISE SPECIFIED

USB PIN ASSIHMENT

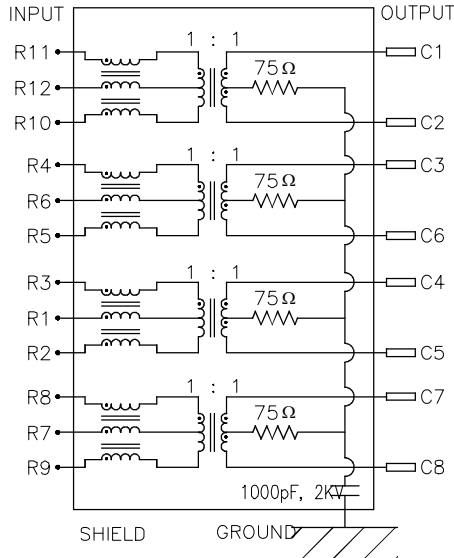


USB Connector Termination Assignment

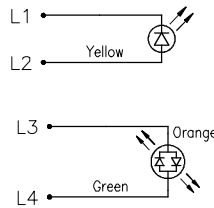
Contact Number	Signal Name
U1	VBUS
U2	D-
U3	D+
U4	GND
Shell	Shield



ELECTRICAL SCHEMATIC DRAWING



LED DEFINE



CONNECTOR PERFORMANCE

PARAMETER	LIMITS (MAX. OR MIN.)	FREQUENCY RANGE/TEST CONDITIONS
INSERTION LOSS (RX/TX)	-1.0dB MAX. -1.2dB MAX.	1-100 MHz 100-125 MHz
RETURN LOSS (RX/TX)	-18dB MIN. -16dB MIN. -12dB MIN. -10dB MIN.	1-30 MHz 30-60 MHz 60-80 MHz 80-100 MHz
CM-CM REJECTION	-30dB MIN.	1-100 MHz
CROSSTALK ISOLATION (RX/TX)	-30dB MIN.	1-100 MHz
HIPOT (ISOLATION)	1.5kVrms MIN.	60 Sec.
OCL	350uH MIN.	100KHz 100mV 8mA
TURN RATIO	1:1±5%	

LED PERFORMANCE

PARAMETER	SINGLE COLOUR		BICOLOUR				UNITS
	GREEN	YELLOW	GREEN	YELLOW	GREEN	ORANGE	
FORWARD CURRENT IF MAX	30	30	30	30	30	30	mA
REVERSE CURRENT IR MAX	10	10	10	10	10	10	uA
REVERSE VOLTAGE VR MAX	-5	-5	-5	-5	-5	-5	v
T OPERATURE	-40~+85	-40~+85	-40~+85	-40~+85	-40~+85	-40~+85	°C
T SOLDERING	260+/-5	260+/-5	260+/-5	260+/-5	260+/-5	260+/-5	°C
POWER DISS. Pd	70	70	70	70	70	70	mW
PEAK WAVELENGTH	565	585	565	585	565	605	nM
FORWARD VOLTAGE TYP	2.5	2.1	2.2	2.1	2.2	2.0	(@IF=20mA)
FORWARD VOLTAGE MAX	2.9	2.6	2.6	2.6	2.6	2.6	(@IF=20mA)



TOLERANCE	APPROVALS	DATE
X. ±0.30	DRAWN Jophy Li	06/21/2016
X.X ±0.20	CHECKED Jophy Li	06/21/2016
X.XXX ±0.10	APPROVED Roger Tsai	06/21/2016
ANGULAR ±1°	DWG TYPE CUST DWG	PROJECT CODE PHD
UNLESS OTHERWISE SPECIFIED		

TITLE: Rjmag 1000 Base-T RJ Over USB

Amphenol®  
Amphenol Corporation  
Amphenol Taiwan Corporation

UNIT: mm, SIZE: A3, PART No.: RJMG233022610ER

SCALE: NA, SHEET: 2 OF 2, DWG No.: RJMG233022610ER, REV. c