

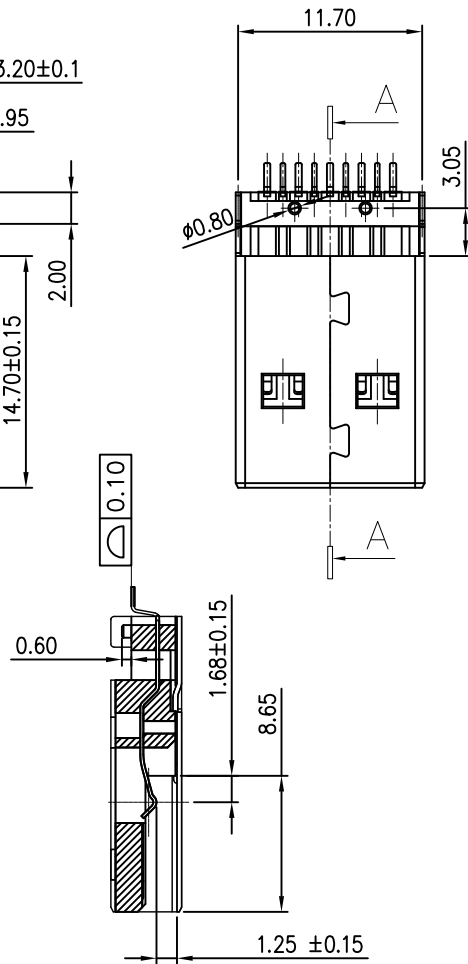
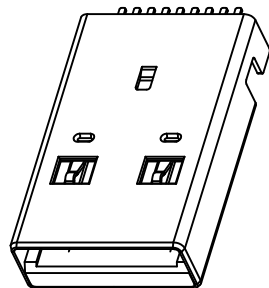
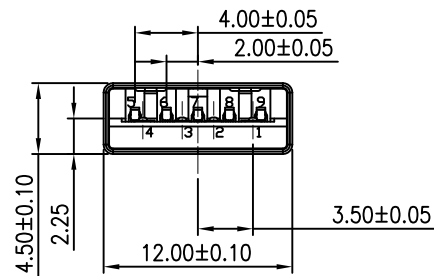
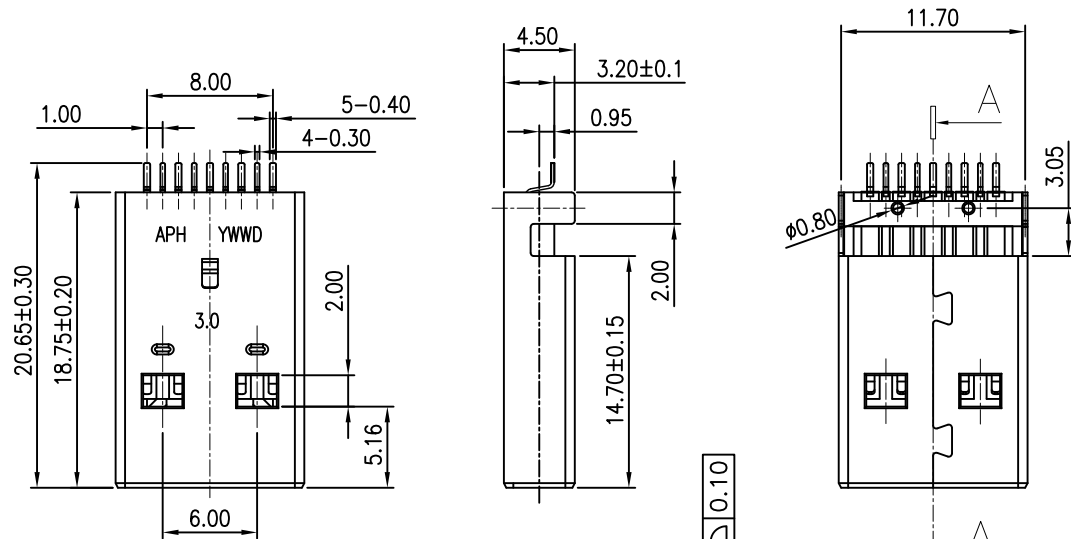
This document is the property of Amphenol Corporation and is delivered on the express condition that is not to be disclosed, reproduced or used, in whole or in part, for manufacture or sale by anyone other than Amphenol Corporation without its prior consent, and that no right is granted to disclose or to use any information in this document.

The marking on this product doesn't contain environmental hazardous materials per Material Specification 55-00259 for Sony GP compliant or per directive 2011/65/EU for RoHS compliant.



ORIGINAL

REVISIONS				
SYM	ECN No.	DESCRIPTION	DATE	APPROVED
A		APPROVED REVISION	10/19/2010	Arron Lin
B	NE-11036	ADDED DATE CODE	03/18/2011	Arron Lin
C	NE-15093	UPDATE DRAWING	08/06/2015	Arron Lin
D	NE-17094	UPDATE PACKING DRAWING	04/28/2017	Arron Lin



SECTION A-A

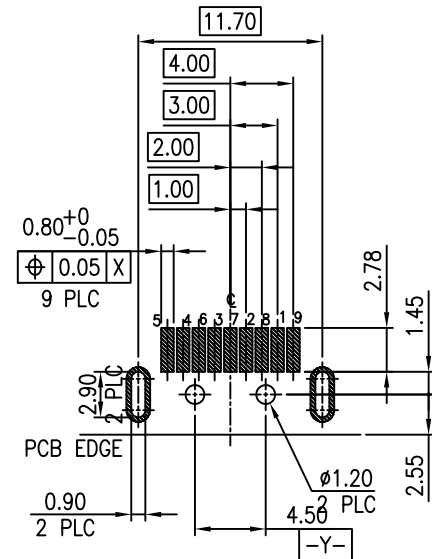
NOTES:

- MATERIAL:  
HOUSING: HIGH TEMPERATURE THERMAL PLASTIC, LCP, UL94V-0, 30% GLASS FIBER FILLED, COLOR: BLUE 300C  
TERMINAL: PHOSPHOR BRONZE  
SHELL: SPCC
- FINISH:  
TERMINAL:  
CONTACT AREA: GOLD PLATING 30 μ" THICKNESS MIN.  
SOLDERING AREA: MATTE TIN PLATING 100 μ" THICKNESS MIN.;  
UNDER PLATING: NICKEL PLATING 50 μ" THICKNESS MIN. OVERALL  
SHELL:  
NICKEL PLATING 50 μ" MINIMUM OVERALL,
- PRODUCT SPECIFICATION REFER TO : PS-7425
- THIS PRODUCT IS LEAD-FREE & RoHS COMPLIANT PRODUCT.



PART NO. GSB3164X1CEU

PLATING OF SOLDERING AREA  
4: 100u" MATTE TIN



RECOMMEND P.C.B LAYOUT GERERAL TOLERANCE±0.05  
(COMPONENT SIDE)

TOLERANCE	APPROVALS	DATE	TITLE	Amphenol®			
X. ±0.30	DRAWN Debby Hung	04/28/2017	USB3.0 CONNECTOR STANDARD A TYPE, PLUG R/A SMT (CH=0.95)	Amphenol Corporation Amphenol Taiwan Corporation			
X.X ±0.20	CHECKED Roger Tsai	04/28/2017					
X.XX ±0.10	APPROVED Arron Lin	04/28/2017					
ANGULAR ±1°	DWG TYPE CUST DWG	PROJECT CODE OTHER		UNIT mm	SIZE A3	PART No. GSB3164X1CEU	
UNLESS OTHERWISE SPECIFIED			SCALE NA	SHEET 1 OF 2	DWG No. GSB3164X1CEU	REV. D	

This document is the property of Amphenol Corporation and is delivered on the express condition that is not to be disclosed, reproduced or used, in whole or in part, for manufacture or sale by anyone other than Amphenol Corporation without its prior consent, and that no right is granted to disclose or to use any information in this document.

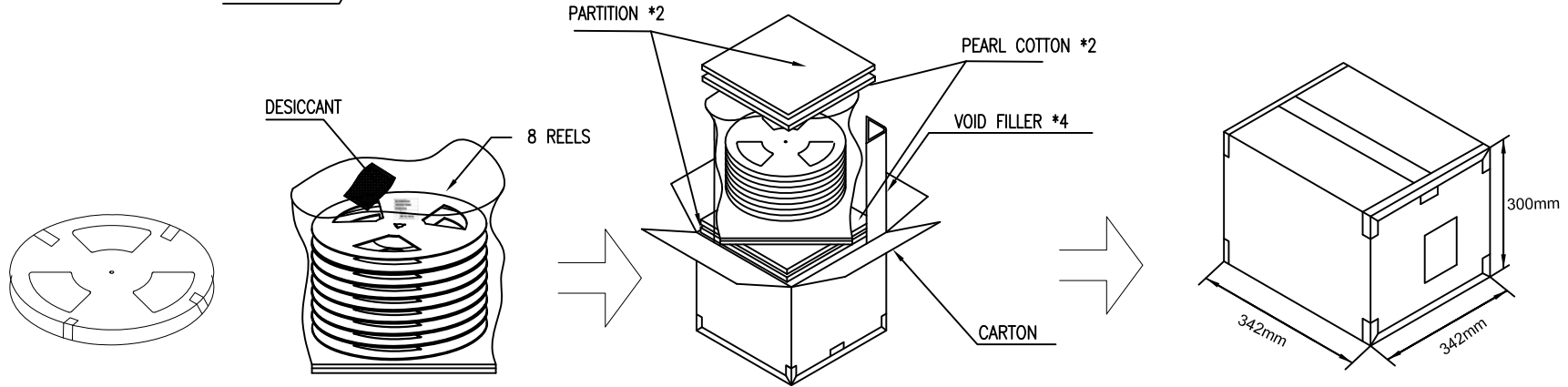
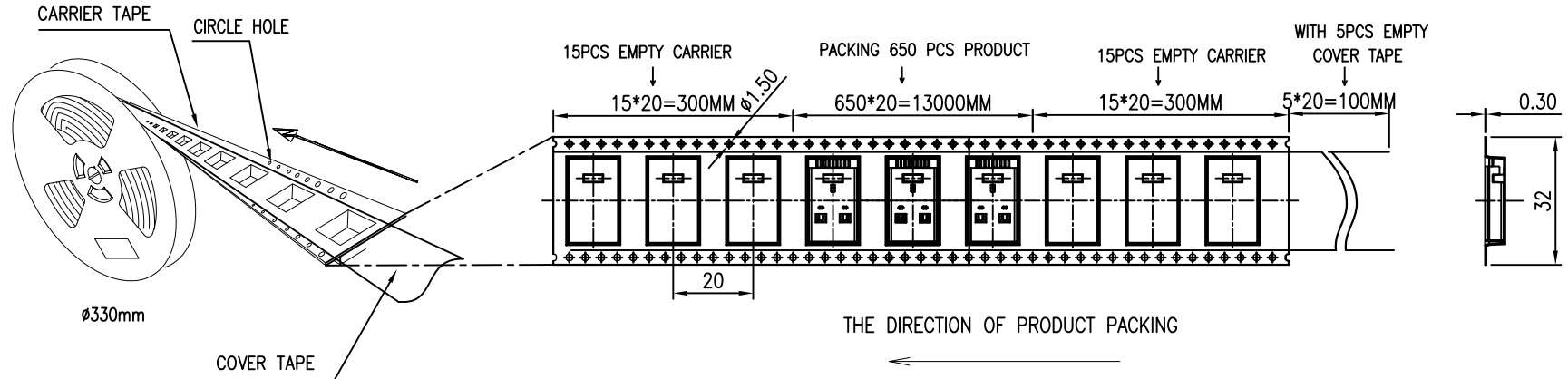
The marking on this product doesn't contain environmental hazardous materials per Material Specification 55-00259 for Sony GP compliant or per directive 2011/65/EU for RoHS compliant.



ORIGINAL



REVISIONS				
SYM	ECN No.	DESCRIPTION	DATE	APPROVED
A		APPROVED REVISION	10/19/2010	Arron Lin
B	NE-11036	ADDED DATE CODE	03/18/2011	Arron Lin
C	NE-15093	UPDATE DRAWING	08/06/2015	Arron Lin
D	NE-17094	UPDATE PACKING DRAWING	04/28/2017	Arron Lin



12.5	9.7	650	8	5200	GSB3164X1CEU
GROSS WEIGHT	NET WEIGHT	PCS/REEL	REELS/CARTON	QUANTITY	PART NUMBER

TOLERANCE	APPROVALS	DATE	TITLE		PART No.	
X. $\pm 0.30$	DRAWN Debby Hung	04/28/2017	USB3.0 CONNECTOR STANDARD A TYPE, PLUG R/A SMT		<b>Amphenol®</b> Amphenol Corporation Amphenol Taiwan Corporation	
X.X $\pm 0.20$	CHECKED Roger Tsai	04/28/2017				
X.XXX $\pm 0.10$	APPROVED Arron Lin	04/28/2017		UNIT mm	SIZE A3	PART No. GSB3164X1CEU
ANGULAR $\pm 1^\circ$	DWG TYPE CUST DWG	PROJECT CODE OTHER		SCALE NA	SHEET 2 OF 2	DWG No. GSB3164X1CEU
UNLESS OTHERWISE SPECIFIED						