



DESCRIPTION: 97 SERIES SOLDER STYLE PANEL & CABLE MOUNT D-SUB
 PART NUMBER: 40-97XXM
 APPLICATION: FOR CABLE
 CURRENT RATING: 5 AMPS
 CONTACT RESISTANCE: 15 mOHMS MAX
 INSULATOR RESISTANCE: 1000 MOHMS MIN
 VOLTAGE: 500V AC FOR 1 MINUTE
 TEMPERATURE: -50 °C TO +100 °C
 MATERIAL: SHELL STEEL TIN OR NICKEL PLATED
 INSULATOR PBT+FIBER-GLASS, UL94-V0
 CONTACT COPPER-ALLOY, STAMPED-PIN
 GOLD OR SELECTIVE GOLD PLATED OVER NICKEL PLATED

RoHS COMPLIANCE: YES
 TECHNICAL DETAIL: N/A

PART NUMBER	PIN	A	B	C	D	FIG
40-9709M	09	30.80	24.99	16.92	19.20	FIG 1
40-9715M	15	39.15	33.32	25.25	27.70	FIG 1
40-9725M	25	53.00	47.04	38.96	41.10	FIG 1
40-9737M	37	69.30	63.50	55.42	57.30	FIG 1
40-9750M	50	67.00	61.00	52.80	55.14	FIG 2

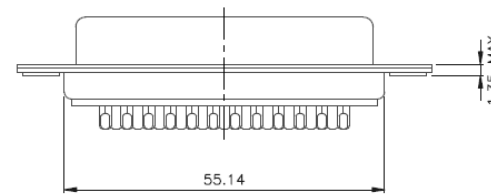
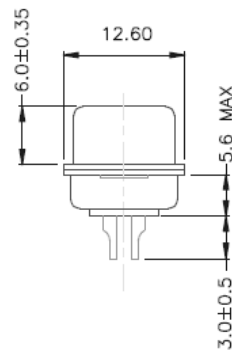
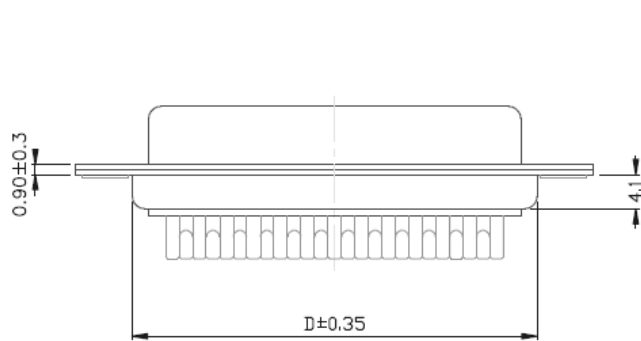
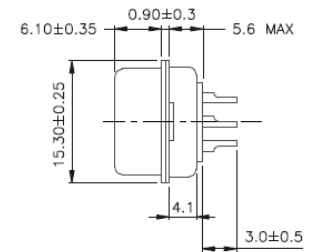
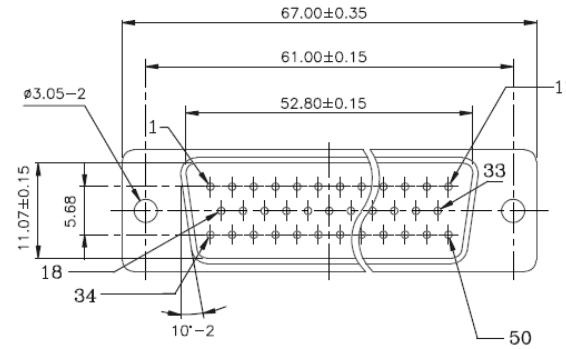
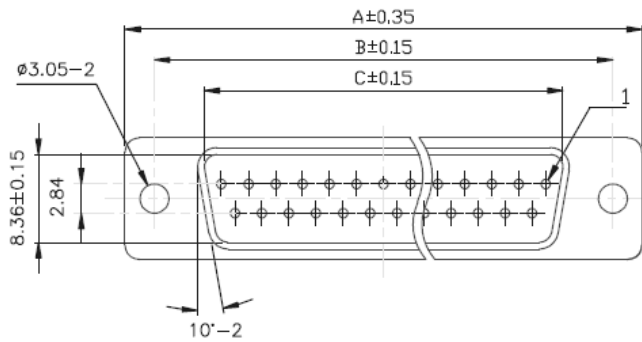


FIG 1

FIG 2

 <small>This information is provided in accordance with the RoHS Directive (2002/95/EC) and is intended for use in the EU. It is not intended for use in other countries. All dimensions are in millimeters unless otherwise specified.</small> <small>INTERPRET DRAWING IN ACCORDANCE WITH GB4610 Y14.5-2009</small>	 <small>3RD ANGLE PROJECTION</small>	AIM-Cambridge <small>2011/65/EU</small>	Title: 97 SERIES SOLDER STYLE PANEL & CABLE MOUNT D-SUB Model No. 40-97XXM	
	<small>RoHS2</small>	<small>UNLESS OTHERWISE SPECIFIED</small> <small>UNITS: METRIC</small>	Size B <small>DO NOT SCALE DRAWING</small>	Date: 2017/6/9 Sheet 1 of 1
	<small>±.3</small> ANGLES ±2°			