

5

4

3

2

1

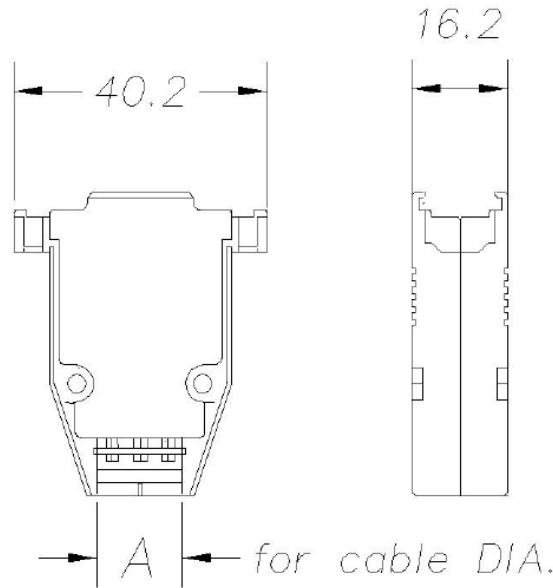
Description: D-Sub Hood, Shielded Heavy Duty Metal, 15 Pins
 Part No: 40-9715HMG

DRAWING NO.
 40-9715HMG-CUST

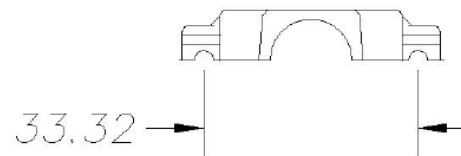
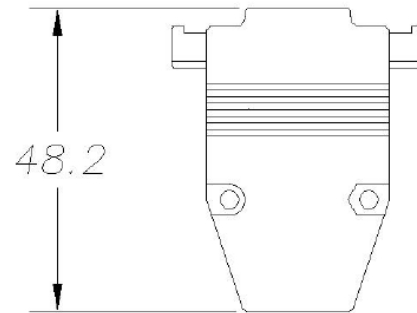
REVISIONS

01 OFFICIAL RELEASE

12-19-12	G Z	M W	M L		ECO-12-0335
----------	--------	--------	--------	--	-------------



UNIT: MM ± 0.5



A: 8, 10, 12,

DIM OUTLINE

CUSTOMER COPY

TOLERANCE UNLESS OTHERWISE SPECIFIED		DRAWN BY GARY.ZHG	DATE 12-19-12
DECIMALS	mm	CHECKED BY MONICA.W	DATE 12-19-12
X.X	+ 0.2	APPROVED BY MA LIN	DATE 12-19-12
X.XX	+ 0.1		
X.XXX	+0.08		
ANGLES	+ 0.5°	U/M	mm



TITLE
 D-Sub Hood, Shielded Heavy Duty Metal, 15 Pins

SHEET 1 OF 1	DRAWING NO. 40-9715HMG-CUST	SIZE A
-----------------	--------------------------------	-----------

THIS DRAWING WAS PRODUCED BY COMPUTER,
 DO NOT SCALE DRAWING OR UPDATE MANUALLY.

5

4

3

2

1