

-RA: RIGHT ANGLE IN-PROCESS VIEWS

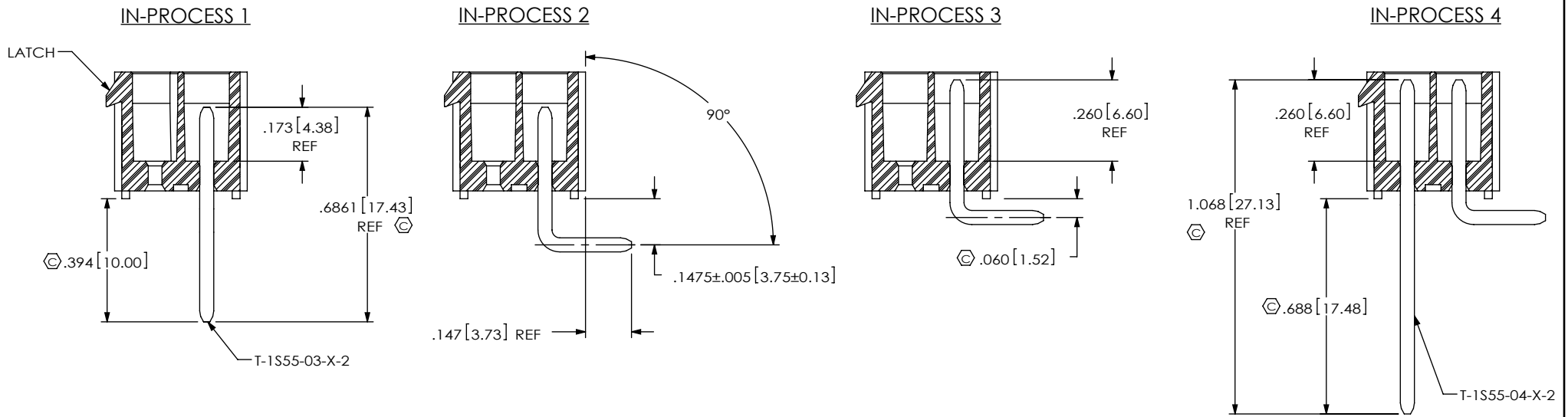
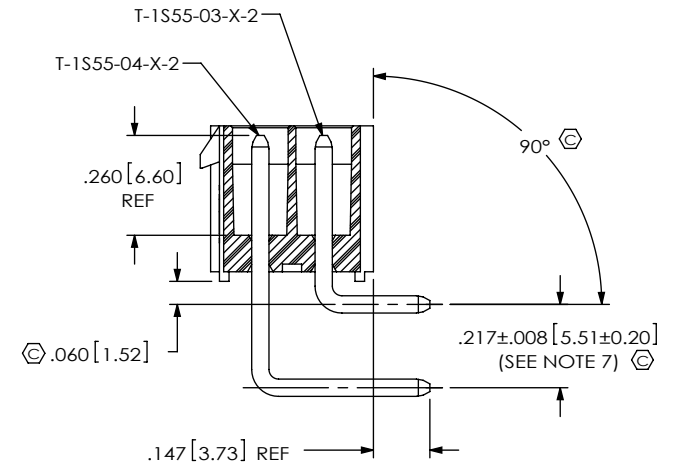
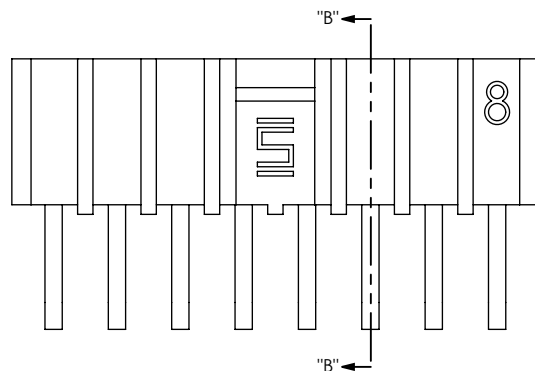
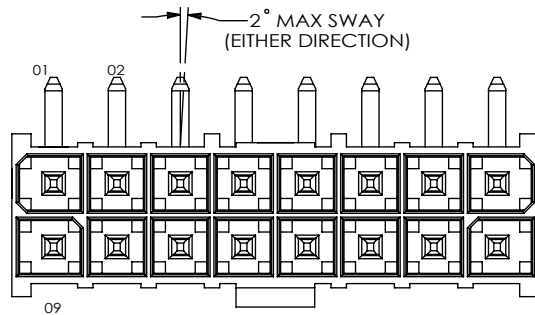


FIG 2
 (IPBT-108-H1-XX-D-RA SHOWN)
 (DIFFERENT AS SHOWN, OTHERWISE SAME AS FIG 1)
 (AVAILABLE ONLY ON -H1)



SECTION "B"-"B"

PROPRIETARY NOTE
 THIS DOCUMENT CONTAINS CONFIDENTIAL AND PROPRIETARY INFORMATION AND ALL DESIGN, MANUFACTURING, REPRODUCTION, USE, PATENT RIGHTS AND SALES RIGHTS ARE EXPRESSLY RESERVED BY SAMTEC, INC. THIS DOCUMENT SHALL NOT BE DISCLOSED, IN WHOLE OR PART, TO ANY UNAUTHORIZED PERSON OR ENTITY NOR REPRODUCED, TRANSFERRED OR INCORPORATED IN ANY OTHER PROJECT IN ANY MANNER WITHOUT THE EXPRESS WRITTEN CONSENT OF SAMTEC, INC.

DO NOT SCALE DRAWING

SHEET SCALE: 2:1



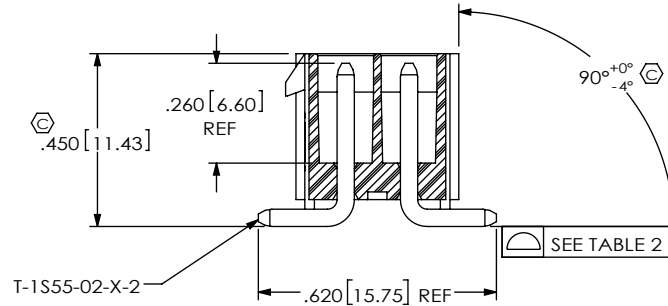
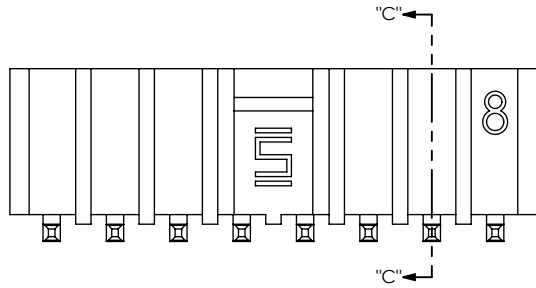
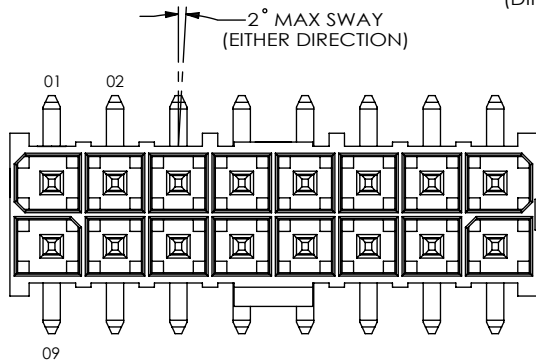
520 PARK EAST BLVD, NEW ALBANY, IN 47150
 PHONE: 812-944-6733 FAX: 812-948-5047
 e-Mail: info@SAMTEC.com code 55322

DESCRIPTION:
 .165 DOUBLE ROW TERMINAL ASSEMBLY

DWG. NO.
IPBT-1XX-XX-XX-D-XX

BY: DEAN P 7/27/2001 SHEET 2 OF 5

FIG 3
(IPBT-108-H2-XX-D SHOWN)
(DIFFERENT AS SHOWN, OTHERWISE SAME AS FIG 1)

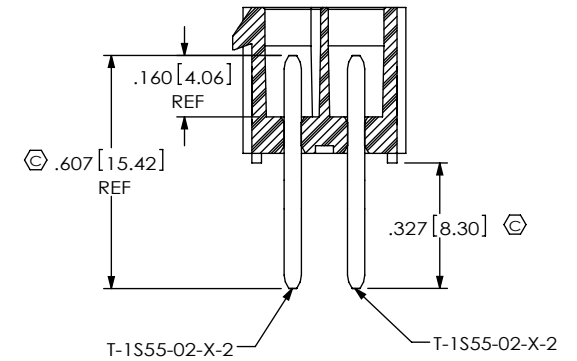


SECTION "C"-"C"

TABLE 2	
No OF POSITIONS	COPLANARITY
-02 THRU -08	.004[.10]
-09 THRU -15	.006[.15]

-H2: SURFACE MOUNT IN-PROCESS VIEWS

IN-PROCESS 1



IN-PROCESS 2

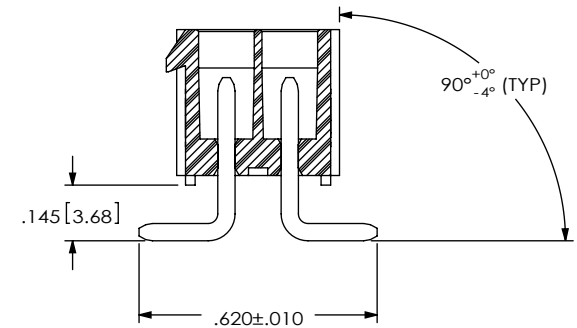
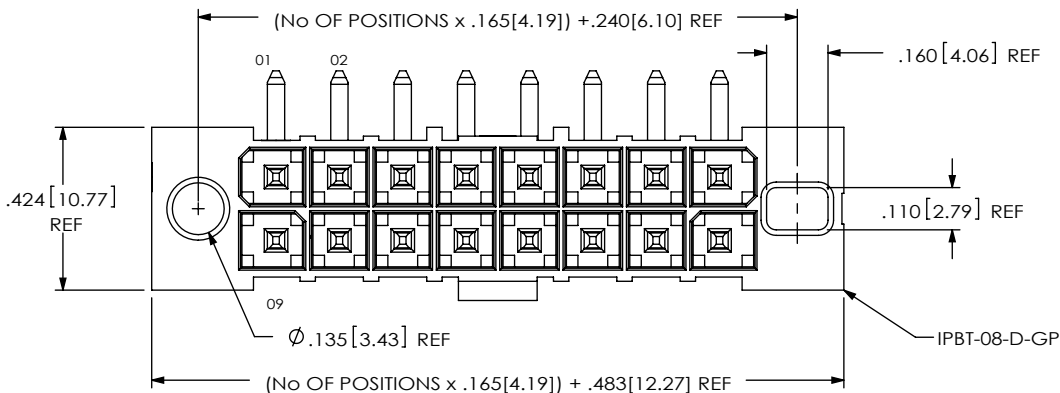


FIG 4
(IPBT-108-H1-XX-D-RA-GP SHOWN)
(DIFFERENT AS SHOWN, OTHERWISE SAME AS FIG 1, 2 OR 3)



PROPRIETARY NOTE

THIS DOCUMENT CONTAINS CONFIDENTIAL AND PROPRIETARY INFORMATION AND ALL DESIGN, MANUFACTURING, REPRODUCTION, USE, PATENT RIGHTS AND SALES RIGHTS ARE EXPRESSLY RESERVED BY SAMTEC, INC. THIS DOCUMENT SHALL NOT BE DISCLOSED, IN WHOLE OR PART, TO ANY UNAUTHORIZED PERSON OR ENTITY NOR REPRODUCED, TRANSFERRED OR INCORPORATED IN ANY OTHER PROJECT IN ANY MANNER WITHOUT THE EXPRESS WRITTEN CONSENT OF SAMTEC, INC.

DO NOT SCALE DRAWING

SHEET SCALE: 1:0.470588



520 PARK EAST BLVD, NEW ALBANY, IN 47150
PHONE: 812-944-6733 FAX: 812-948-5047
e-Mail: info@SAMTEC.com code 55322

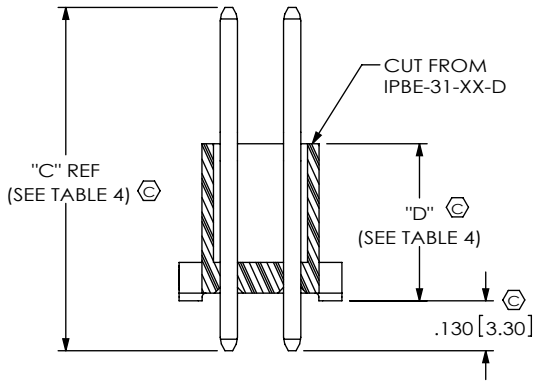
DESCRIPTION: .165 DOUBLE ROW TERMINAL ASSEMBLY

DWG. NO. IPBT-1XX-XX-XX-D-XX

BY: DEAN P 7/27/2001 SHEET 3 OF 5

TABLE 4		
LEADSTYLE	"C"	"D"
-H3	.579 [14.71]	.094 [2.40]
-H4	.658 [16.71]	.173 [4.39]
-H5	.697 [17.70]	.212 [5.38]
-H6	.894 [22.71]	.409 [10.39]

IN PROCESS 1
(FOR H4, H5, & H6 ONLY)



IN PROCESS 1
(FOR H3 ONLY)

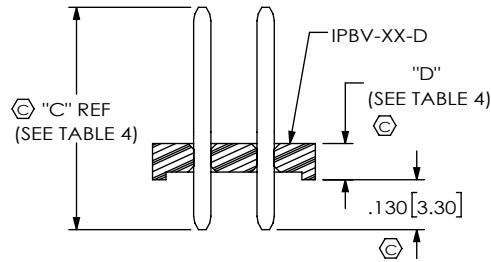


FIG 5
(IPBT-108-H3-XX-D SHOWN)
(DIFFERENT AS SHOWN, OTHERWISE SAME AS FIG. 1)

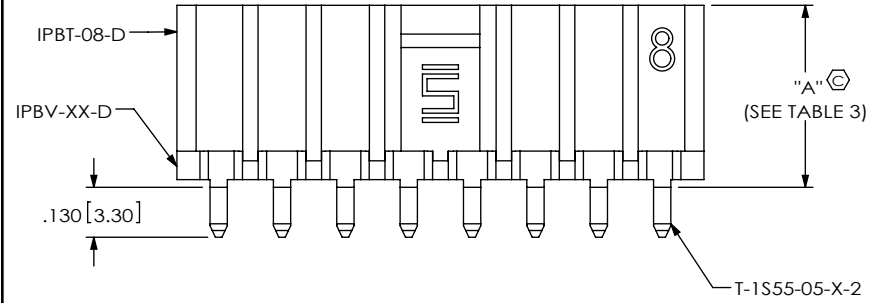


TABLE 3		
LEADSTYLE	"A"	STACK HEIGHT WITH IPBS-TH
-H3	.474 [12.05]	.669 [16.99]
-H4	.553 [14.05]	.748 [19.00]
-H5	.592 [15.04]	.787 [19.99]
-H6	.789 [20.04]	.984 [24.99]

FIG 6
(IPBT-108-H6-XX-D SHOWN)
(DIFFERENT AS SHOWN, OTHERWISE SAME AS FIG. 1)

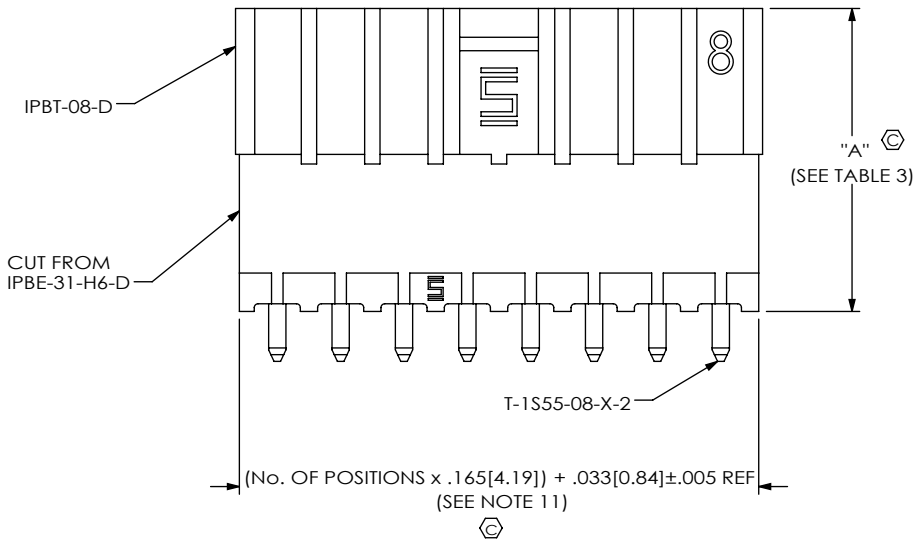
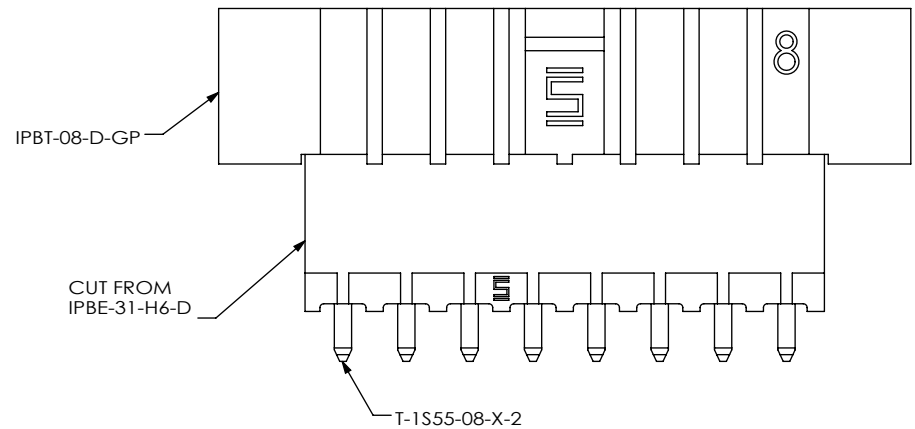


FIG 7
(IPBT-108-H6-XX-D-GP SHOWN)
(DIFFERENT AS SHOWN, OTHERWISE SAME AS FIG. 1, 5, OR 6)



PROPRIETARY NOTE
THIS DOCUMENT CONTAINS CONFIDENTIAL AND PROPRIETARY INFORMATION AND ALL DESIGN, MANUFACTURING, REPRODUCTION, USE, PATENT RIGHTS AND SALES RIGHTS ARE EXPRESSLY RESERVED BY SAMTEC, INC. THIS DOCUMENT SHALL NOT BE DISCLOSED, IN WHOLE OR PART, TO ANY UNAUTHORIZED PERSON OR ENTITY NOR REPRODUCED, TRANSFERRED OR INCORPORATED IN ANY OTHER PROJECT IN ANY MANNER WITHOUT THE EXPRESS WRITTEN CONSENT OF SAMTEC, INC.

DO NOT SCALE DRAWING

SHEET SCALE: 2:1



520 PARK EAST BLVD, NEW ALBANY, IN 47150
PHONE: 812-944-6733 FAX: 812-948-5047
e-Mail: info@SAMTEC.com code 55322

DESCRIPTION:
.165 DOUBLE ROW TERMINAL ASSEMBLY

DWG. NO.
IPBT-1XX-XX-XX-D-XX

BY: DEAN P 7/27/2001 SHEET 4 OF 5

FIG 8

(IPBT-102-H1-XX-D SHOWN)
(DIFFERENT AS SHOWN,
OTHERWISE SAME AS FIG 1)

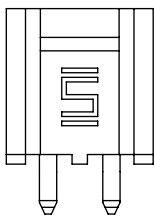
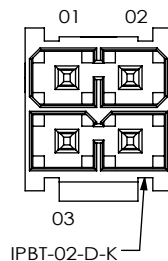
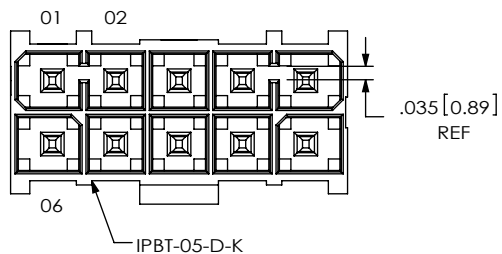


FIG 9

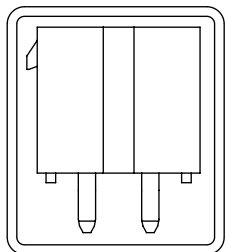
(IPBT-1XX-H1-XX-D-K SHOWN)
(DIFFERENT AS SHOWN, OTHERWISE SAME AS FIG 1)

-105 POS SHOWN
(TYPICAL FOR POSITIONS 3 THRU 15)

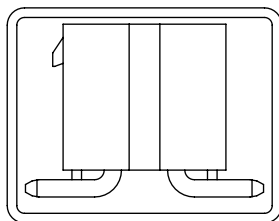
-102 POS SHOWN
(DIFFERENT AS SHOWN)



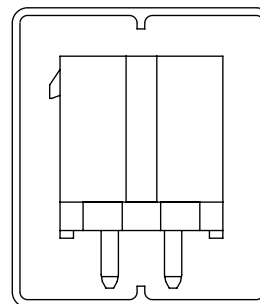
PACKAGING VIEWS
[PARTS TO HAVE POSITION #1 LOADED IN
SAME DIRECTION AS ARROW ON TUBE]
(SEE NOTE 9)



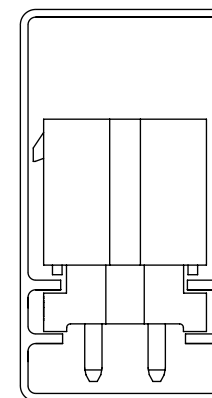
IPBT-1XX-H1-XX-D-XX SHOWN
TUBE: PT-1-24-01-112
PLUG: TP-28



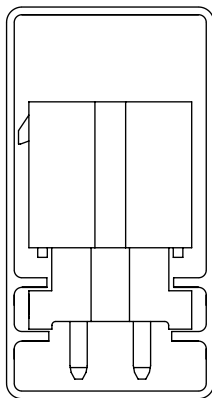
IPBT-1XX-H2-XX-D-XX SHOWN
TUBE: PT-1-24-02-112
PLUG: TP-28



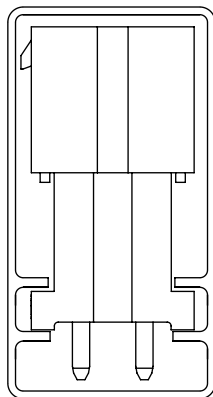
IPBT-1XX-H3-XX-D-XX SHOWN
TUBE: PT-1-24-04-56
PLUG: TP-25



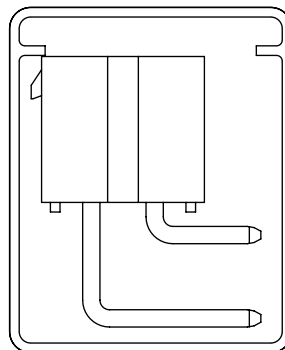
IPBT-1XX-H4-XX-D-XX SHOWN
TUBE: PT-IPBT001-H4-H6
PLUG: TP-28



IPBT-1XX-H5-XX-D-XX SHOWN
TUBE: PT-IPBT001-H4-H6
PLUG: TP-28



IPBT-1XX-H6-XX-D-XX SHOWN
TUBE: PT-IPBT001-H4-H6
PLUG: TP-28



IPBT-1XX-H1-XX-D-RA SHOWN
TUBE: PT-1-24-19T-109
PLUG: TP-25 (2 EACH END)

PROPRIETARY NOTE
THIS DOCUMENT CONTAINS CONFIDENTIAL AND PROPRIETARY INFORMATION AND ALL DESIGN, MANUFACTURING, REPRODUCTION, USE, PATENT RIGHTS AND SALES RIGHTS ARE EXPRESSLY RESERVED BY SAMTEC, INC. THIS DOCUMENT SHALL NOT BE DISCLOSED, IN WHOLE OR PART, TO ANY UNAUTHORIZED PERSON OR ENTITY NOR REPRODUCED, TRANSFERRED OR INCORPORATED IN ANY OTHER PROJECT IN ANY MANNER WITHOUT THE EXPRESS WRITTEN CONSENT OF SAMTEC, INC.

DO NOT SCALE DRAWING
SHEET SCALE: 2:1



520 PARK EAST BLVD, NEW ALBANY, IN 47150
PHONE: 812-944-6733 FAX: 812-948-5047
e-Mail info@SAMTEC.com code 55322

DESCRIPTION:
.165 DOUBLE ROW TERMINAL ASSEMBLY
DWG. NO. **IPBT-1XX-XX-XX-D-XX**
BY: DEAN P 7/27/2001 SHEET 5 OF 5