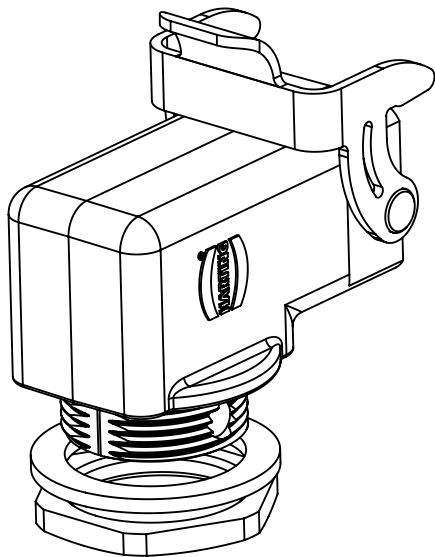
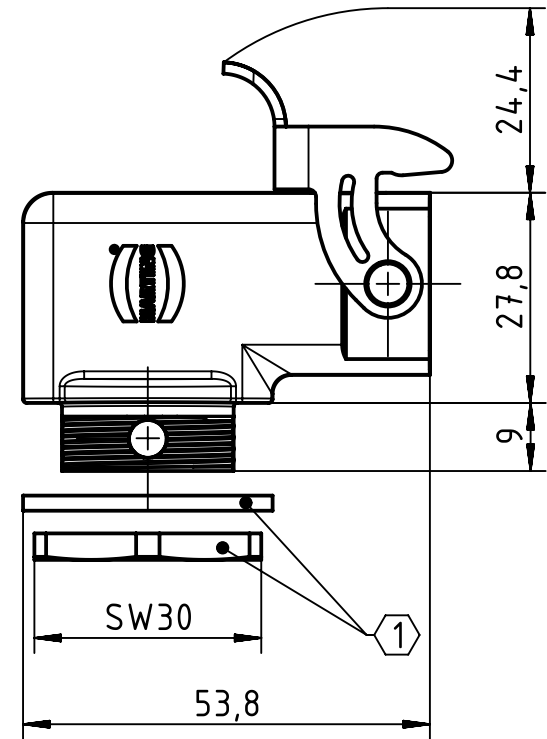
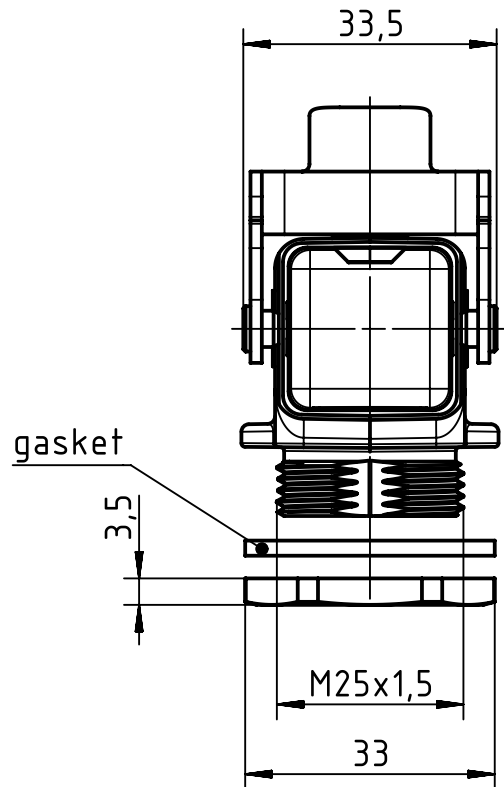
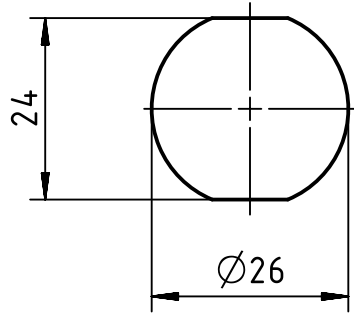


1:1  
panel cut out



① enclosed separately

	All rights reserved Department EL PD - DE HARTING Electric GmbH & Co. KG D-32339 Espelkamp	All Dimensions in mm Original Size DIN A4		Scale 1:1	Free size tol.	Ref. Sub.
		Created by MOELLERLI	Inspected by BEISCHER	Standardisation TIEMANNA	Date 2017-11-06	State Final Release
Title Han 3M-Base angled-M25				Type TB	Number 19 37 003 1165	Rev. B Page 1/1