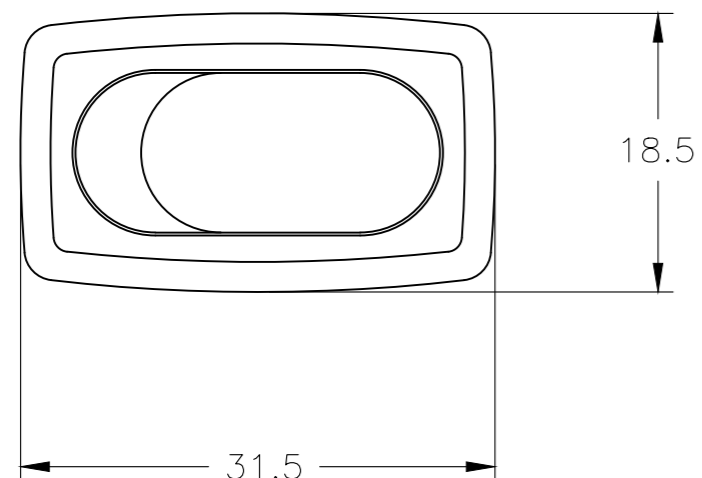
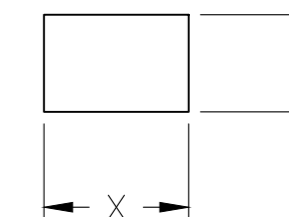


THIS DRAWING IS UNPUBLISHED. RELEASED FOR PUBLICATION
 © COPYRIGHT - By - ALL RIGHTS RESERVED.

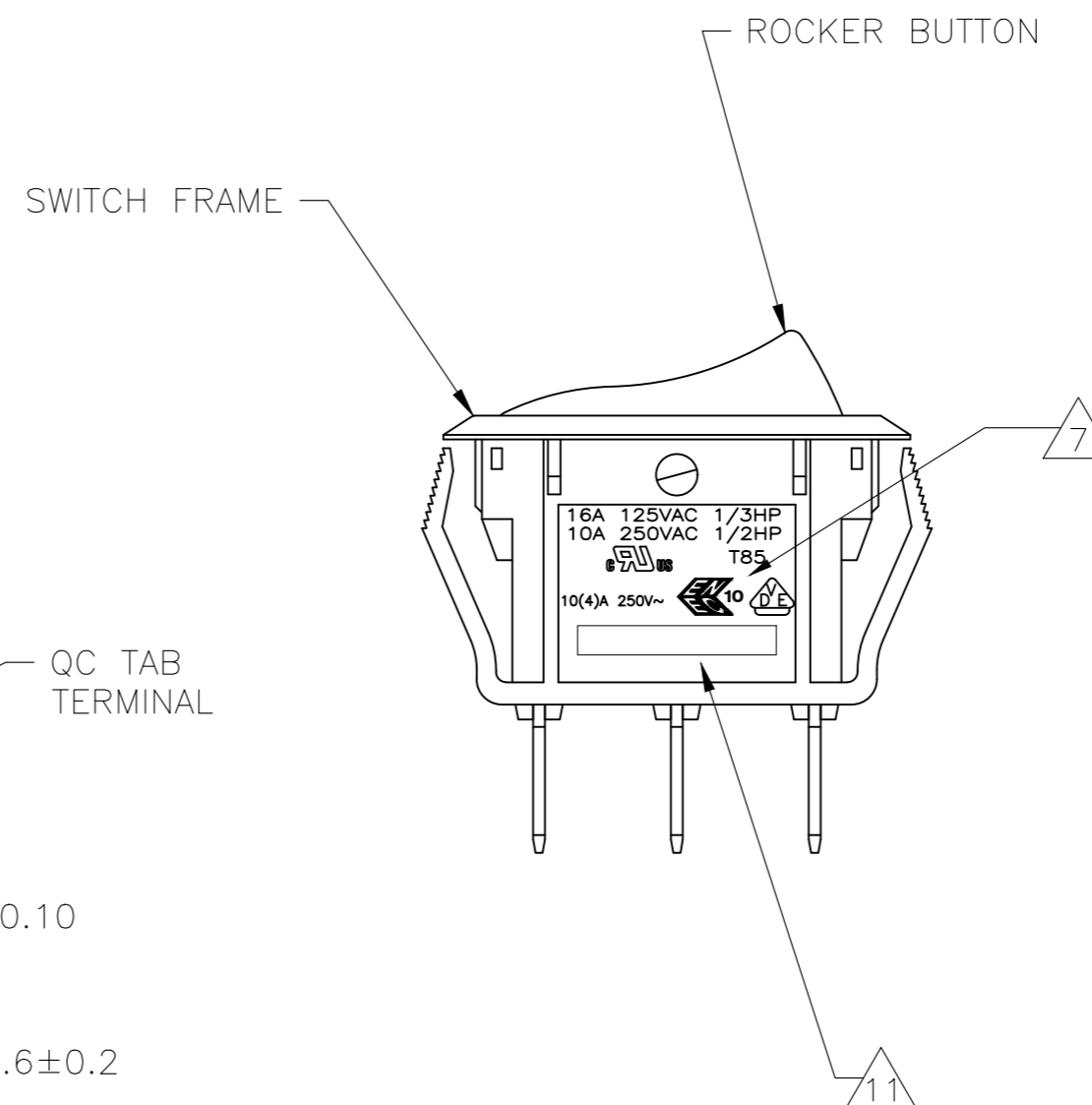
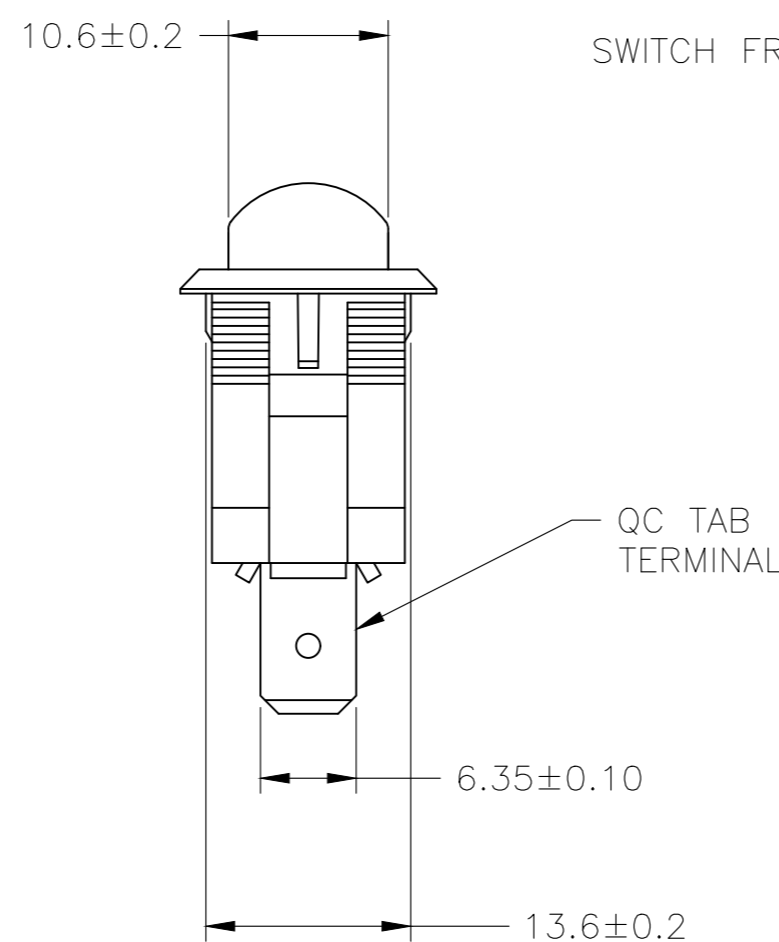
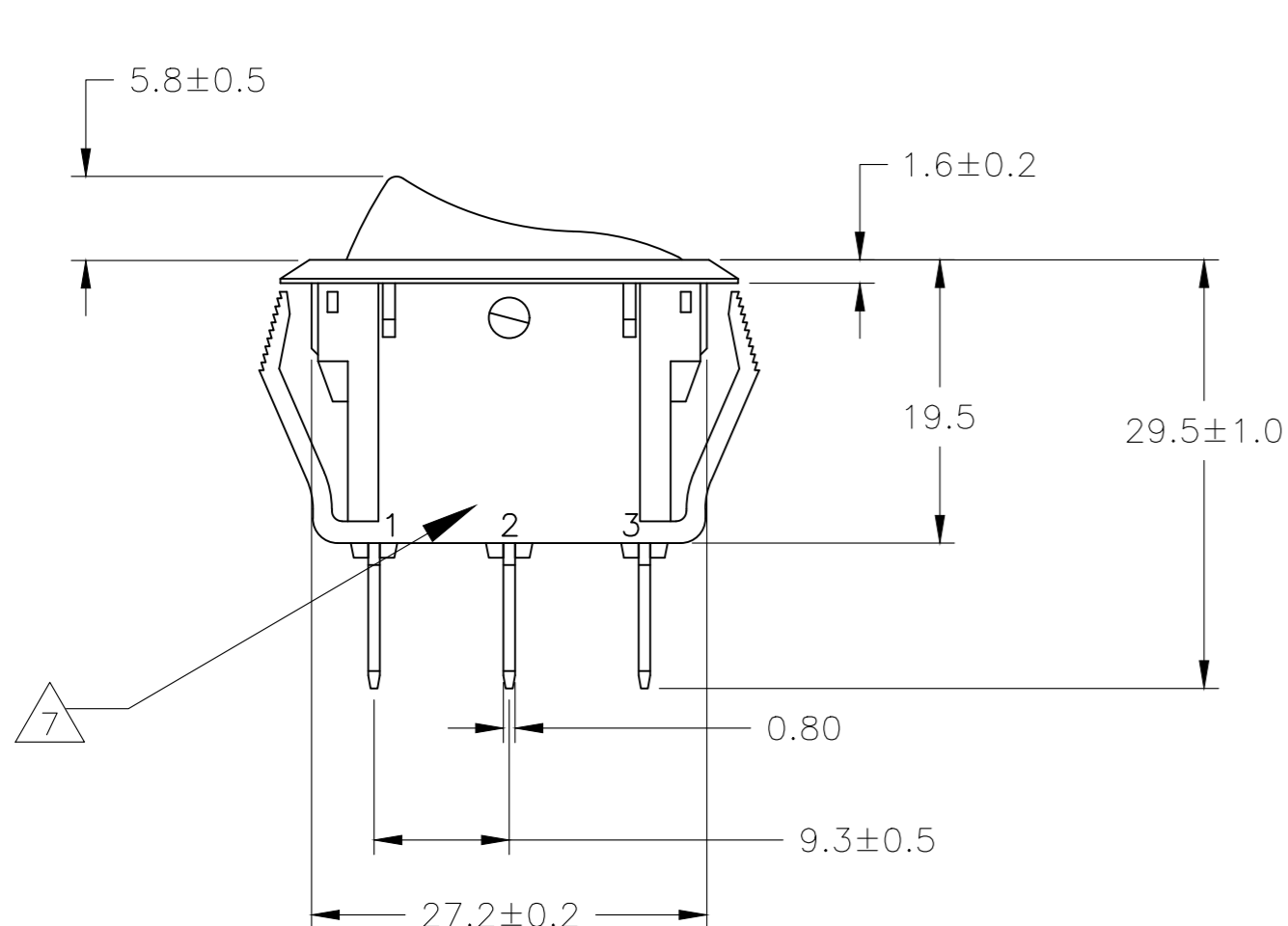
REVISIONS				
P	LTR	DESCRIPTION	DATE	APVD
E2		REVISED PER ECO-12-020686	27OCT2012	KH PO
E3		REVISED PER ECO-16-017354	09MAR2017	RK AS



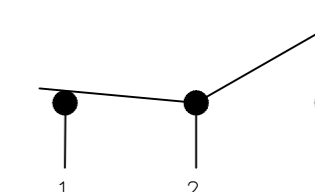
PANEL CUT OUT



4.00-5.00	28.0-0.1	13.8+0.1
3.00-4.00	27.8-0.1	13.8+0.1
0.75-3.00	27.6-0.1	13.8+0.1
PANEL THICKNESS	X	Y



SWITCH FUNCTION D1
CIRCUIT DIAGRAM

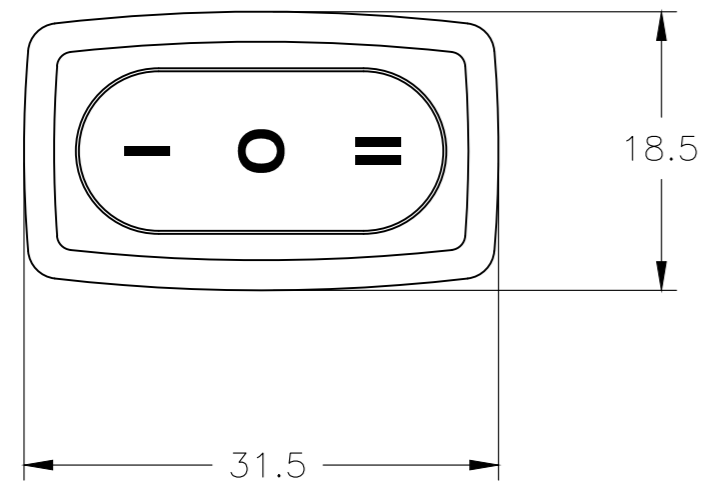


OBSELETE 1571094-1 SHOWN

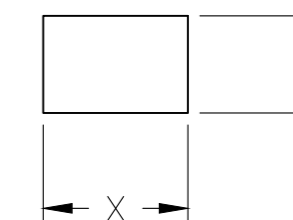
THIS DRAWING IS A CONTROLLED DOCUMENT.		DWN BSV	05APR04	TE Connectivity	
DIMENSIONS: mm		CHK J.MOSIER	APVD JP		
TOLERANCES UNLESS OTHERWISE SPECIFIED: 0 PLC ± - 1 PLC ± 0.30 2 PLC ± 0.05 3 PLC ± - 4 PLC ± - ANGLES ± -		PRODUCT SPEC NOT APPLICABLE		POWER ROCKER SWITCH 13.8mmX27.6mm PANEL SIZE SPDT, 3 TERMINALS, NON-ILLUMINATED	
MATERIAL		APPLICATION SPEC NOT APPLICABLE		SIZE A2	RESTRICTED TO
FINISH		WEIGHT		CAGE CODE 00779	DRAWING NO. C-1571094
SCALE 2:1		CUSTOMER DRAWING		SHEET 1 of 3	REV E3

THIS DRAWING IS UNPUBLISHED. RELEASED FOR PUBLICATION
 © COPYRIGHT - By - ALL RIGHTS RESERVED.

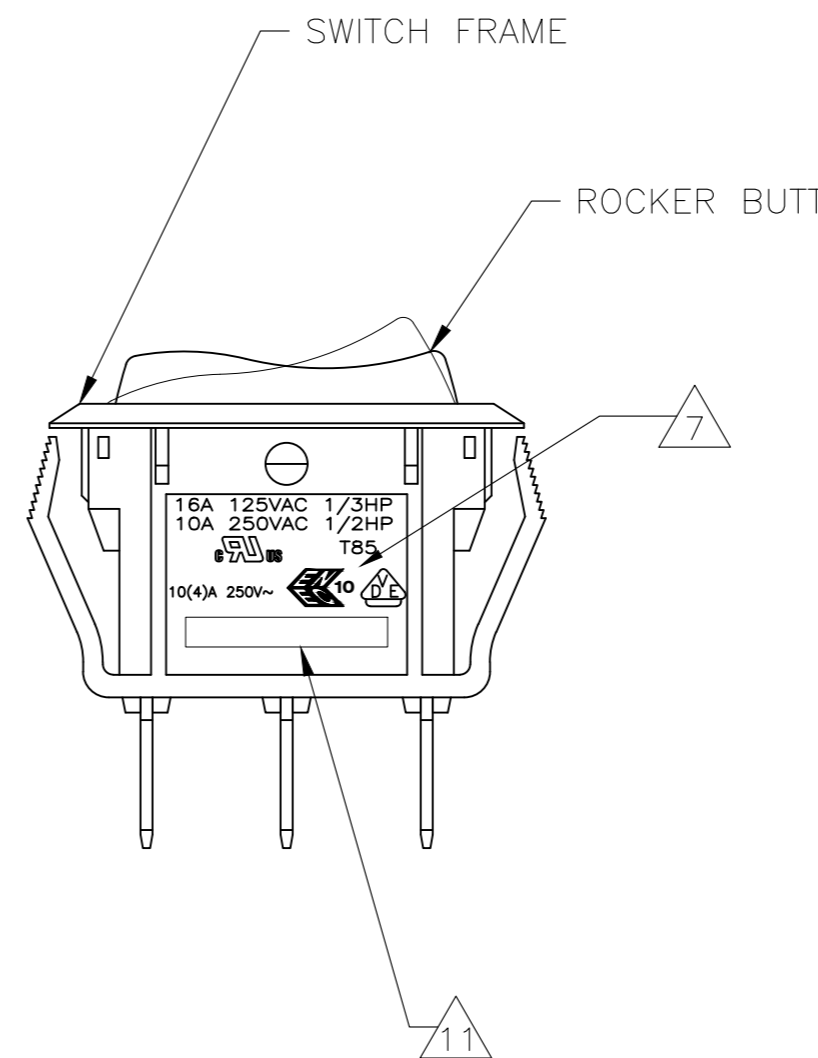
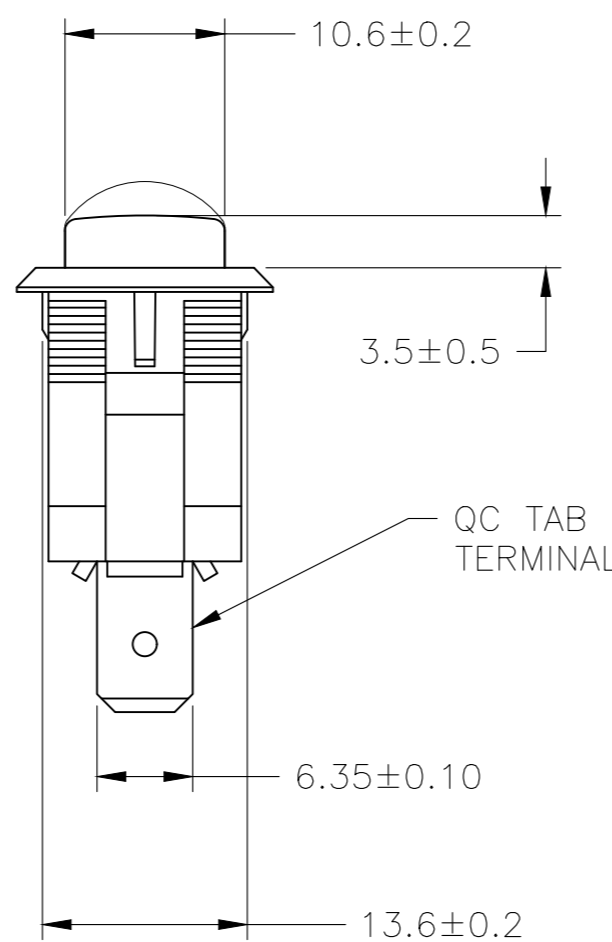
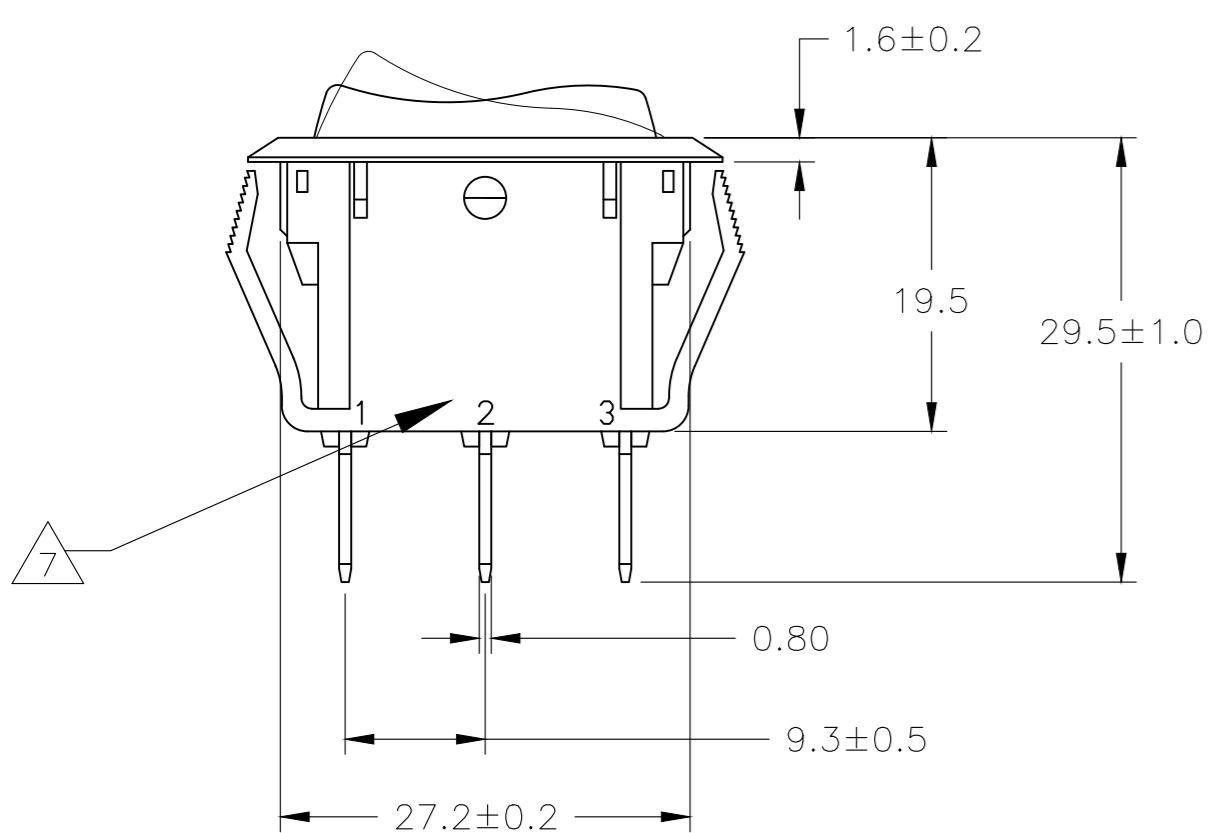
REVISIONS					
P	LTR	DESCRIPTION	DATE	DWN	APVD
-	-	SEE SHEET 1	-	-	-



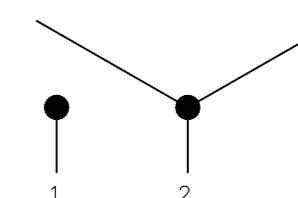
PANEL CUT OUT



4.00-5.00	28.0-0.1	13.8+0.1
3.00-4.00	27.8-0.1	13.8+0.1
0.75-3.00	27.6-0.1	13.8+0.1
PANEL THICKNESS	X	Y



SWITCH FUNCTION D3
CIRCUIT DIAGRAM



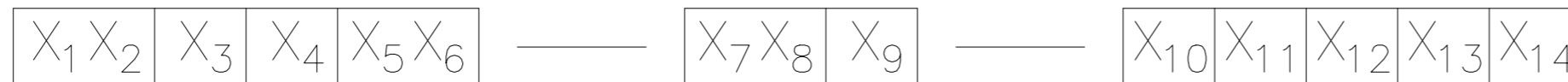
OBSOLETE 1571094-5 SHOWN

THIS DRAWING IS A CONTROLLED DOCUMENT.		DWN BSV	05APR04	TE Connectivity	
DIMENSIONS: mm		CHK J.MOSIER	-		
TOLERANCES UNLESS OTHERWISE SPECIFIED:		APVD JP	-	NAME POWER ROCKER SWITCH, 13.8mm X 27.6mm	
0 PLC ± -		PRODUCT SPEC		PANEL CUT-OUT SIZE, SINGLE POLE, DOUBLE THROW, THREE TERMINALS, NON-ILLUMINATED	
1 PLC ± 0.30		APPLICATION SPEC		RESTRICTED TO	
2 PLC ± 0.05		WEIGHT		SIZE CAGE CODE DRAWING NO	
3 PLC ± -		MATERIAL		A2 00779 C-1571094	
4 PLC ± -		FINISH		SCALE 2:1 SHEET 2 of 3 REV E3	
ANGLES ± -		CUSTOMER DRAWING			

THIS DRAWING IS UNPUBLISHED. RELEASED FOR PUBLICATION
 © COPYRIGHT - By - ALL RIGHTS RESERVED.

REVISIONS				
P	LTR	DESCRIPTION	DATE	APVD
-	-	SEE SHEET 1	-	-

LEGACY PART NUMBER



SWITCH TYPE: X₁X₂ = PR - POWER ROCKER

SECONDARY ROCKER COLOR: X₁₂ = Ø - NOT APPLICABLE

NOMINAL PANEL CUT OUT SIZE: X₃ = B - 13.8 x 27.6

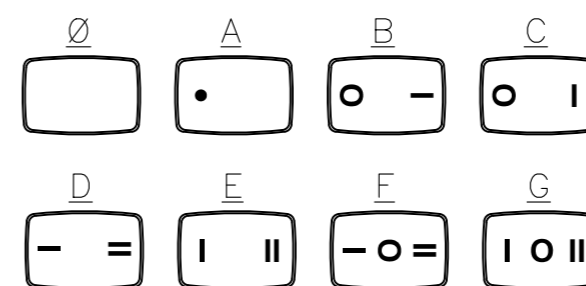
NUMBER OF POLES: X₄ = S - SINGLE

SWITCH FUNCTION: X₅X₆ = D1 : ON - NONE - ON, WITH OPAQUE, SINGLE-COLOR ROCKER BUTTON
D3 : ON - OFF - ON, WITH OPAQUE, SINGLE-COLOR ROCKER BUTTON

CURRENT RATING: X₇X₈ = 16 - △6

LEGEND TEXT PATTERN: X₁₃ =

TERMINAL TYPE: X₉ = F - QC TAB
L - SOLDER LUG



FRAME COLOR: X₁₀ = B - BLACK
W - WHITE

LEGEND TEXT COLOR: X₁₄ = Ø - NOT APPLICABLE

ROCKER COLOR: X₁₁ = B - BLACK
G - GREEN
R - RED
W - WHITE

G - GREEN
R - RED
B - BLACK
W - WHITE

1 MATERIALS:
 ROCKER BUTTON & HOUSING: NYLON 66, UL 94 V-2.
 TERMINAL, ACTIVE CONTACTOR: COPPER ALLOY PER ASTM B152/B152M
 PLUNGER: COPPER ALLOY PER ASTM B036
 SPRING: STEEL WIRE PER ASTM A228/A228M
 CONTACT: SILVER TIN OXIDE

6 UL: 16A@125VAC 1/3HP /10A@250VAC 1/2HP
 ENEC: 10(4)A 250V~
7 ELECTRICAL RATINGS, APPROVED AGENCY LOGOS,
 TERMINAL IDENTIFICATION NUMBERS, AND THE TYCO/ ELECTORNICS LOGO
 MOLDED APPROXIMATELY AS SHOWN ON THE SIDES OF THE SWITCH HOUSING.

2 FINISH:
 TERMINAL, ACTIVE CONTACTOR: 1.0µm MIN SILVER
 PLUNGER: 3.0µm MIN NICKEL

8. COMPONENT-RECOGNIZED TO US & CANADIAN STANDARDS.
 UL FILE NO. E46765

3. ELECTRICAL SPECIFICATIONS:
 CURRENT & VOLTAGE **6**
 CONTACT RESISTANCE (INITIAL): <50mΩ
 DIELECTRIC STRENGTH (INITIAL): >1000 VAC, 1 MINUTE
 INSULATION RESISTANCE (INITIAL): >100MΩ MIN (500VDC BETWEEN OPEN CONTACTS)
 INRUSH CURRENT: 50A / 3msec (CAPACITIVE LOAD)
 ELECTRICAL LIFE ENDURANCE: >6000 OPERATIONS,
 TEMPERATURE RISE AT TERMINALS: <30°C, 6000 OPERATIONS
 (AMBIENT CONDITIONS: 25±2°C AND 65±5%R.H)

9. COMPONENT-RECOGNIZED TO EUROPEAN STANDARDS
 (ENEC & VDE) MARKS LICENSE NO 40020315

10. ROHS 2002/95/EC COMPLIANT

11 TYCO ELECTRONICS LOGO LOCATED APPROXIMATELY AS SHOWN

4. MECHANICAL SPECIFICATIONS:
 ACTUATING FORCE: 300g MIN, 700g MAX
 OPERATING LIFE ENDURANCE: >100,000 OPERATIONS
 TERMINAL STRENGTH : >2.5kg- SOLDER LUG
 >10.0kg- QC TAB

5. ENVIRONMENTAL SPECIFICATIONS:
 AMBIENT TEMPERATURE: -20°C TO +85°C
 HUMIDITY: MAX 85%
 SALT SPRAY: NO REMAKABLE RUST IN METAL PARTS. (5%SALT / 35°C 24HRS)
 SHOCK: NO MECHANICAL DEFECT OR DAMAGE. (100g / 10MSEC/ X,Y,Z 3 TIMES)
 VIBRATION: NO MECHANICAL DEFECT OR DAMAGE. (10-55Hz /1.5mm/ X,Y,Z 2HRS)

	1	PRBSD1-16F-WW0EB	1-1571094-3
	2	PRBSD3-16F-BW000	1571094-7
OBSOLETE	2	PRBSD3-16F-BB0GW	1571094-6
	2	PRBSD3-16F-BB0FW	1571094-5
	2	PRBSD3-16F-BB000	1571094-4
OBSOLETE	1	PRBSD1-16F-BB0EW	1571094-3
	1	PRBSD1-16F-BB0DW	1571094-2
	1	PRBSD1-16F-BB000	1571094-1
SHEET REF.		LEGACY PART NUMBER	PART NUMBER

THIS DRAWING IS A CONTROLLED DOCUMENT.		DWN BSV 05APR04	STE TE Connectivity	
DIMENSIONS: mm		CHK - J.MOSIER		
TOLERANCES UNLESS OTHERWISE SPECIFIED:		APVD - JP	NAME POWER ROCKER SWITCH, 13.8mm X 27.6mm	
0 PLC ± -		PRODUCT SPEC	PANEL CUT-OUT SIZE, SINGLE POLE, DOUBLE THROW,	
1 PLC ± 0.30		APPLICATION SPEC	THREE TERMINALS, NON-ILLUMINATED	
2 PLC ± 0.05		WEIGHT	SIZE A2	CAGE CODE 00779
3 PLC ± -		FINISH	DRAWING NO	RESTRICTED TO
4 PLC ± -			C-1571094	-
ANGLES ± -		CUSTOMER DRAWING		
		SCALE	SHEET	REV
		1:1	3 of 3	E3