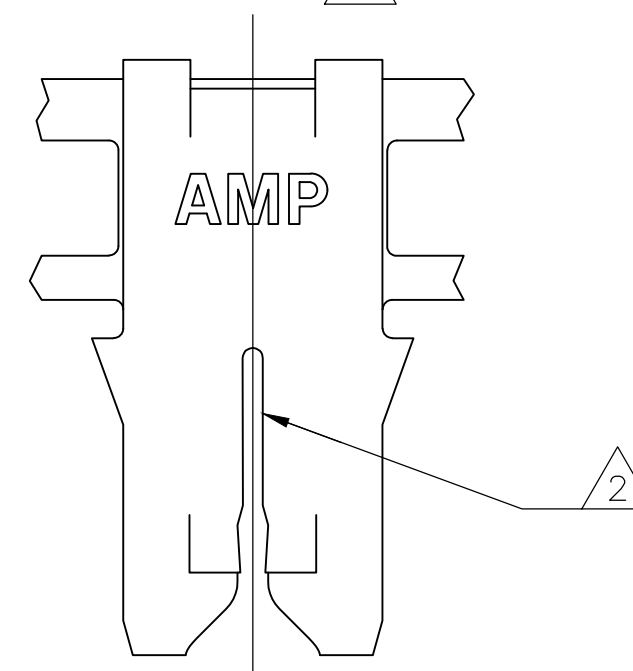
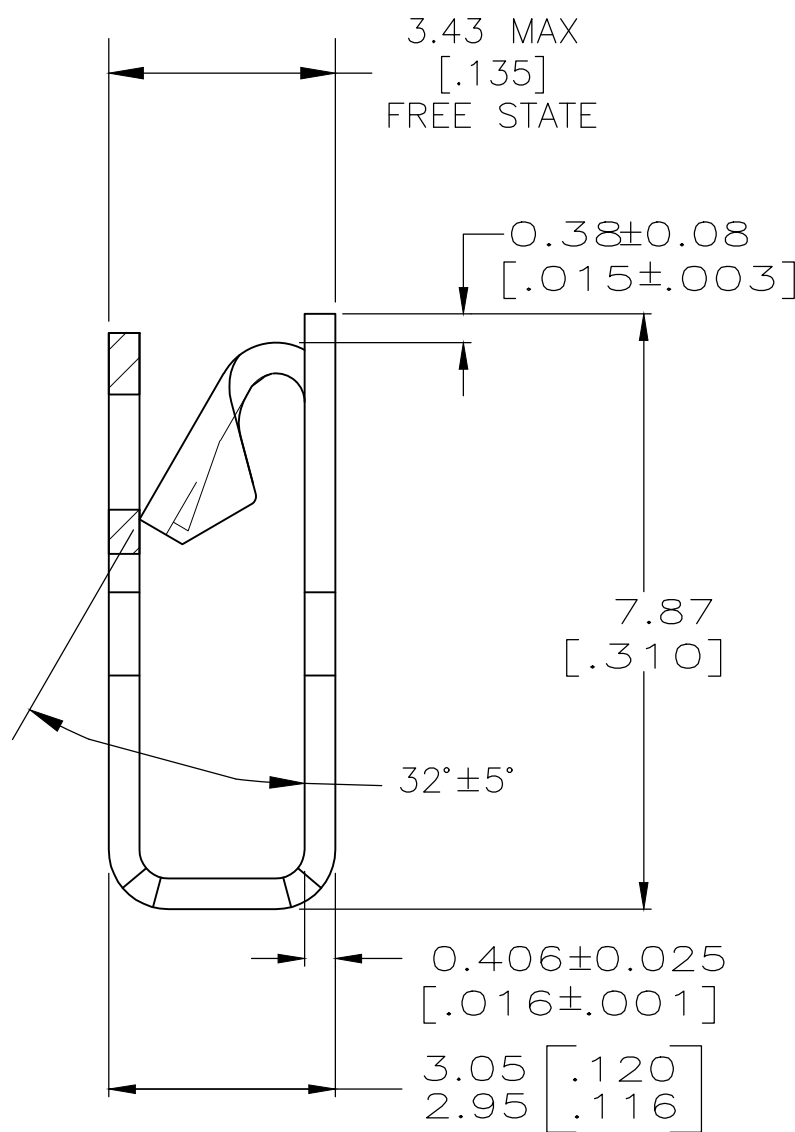
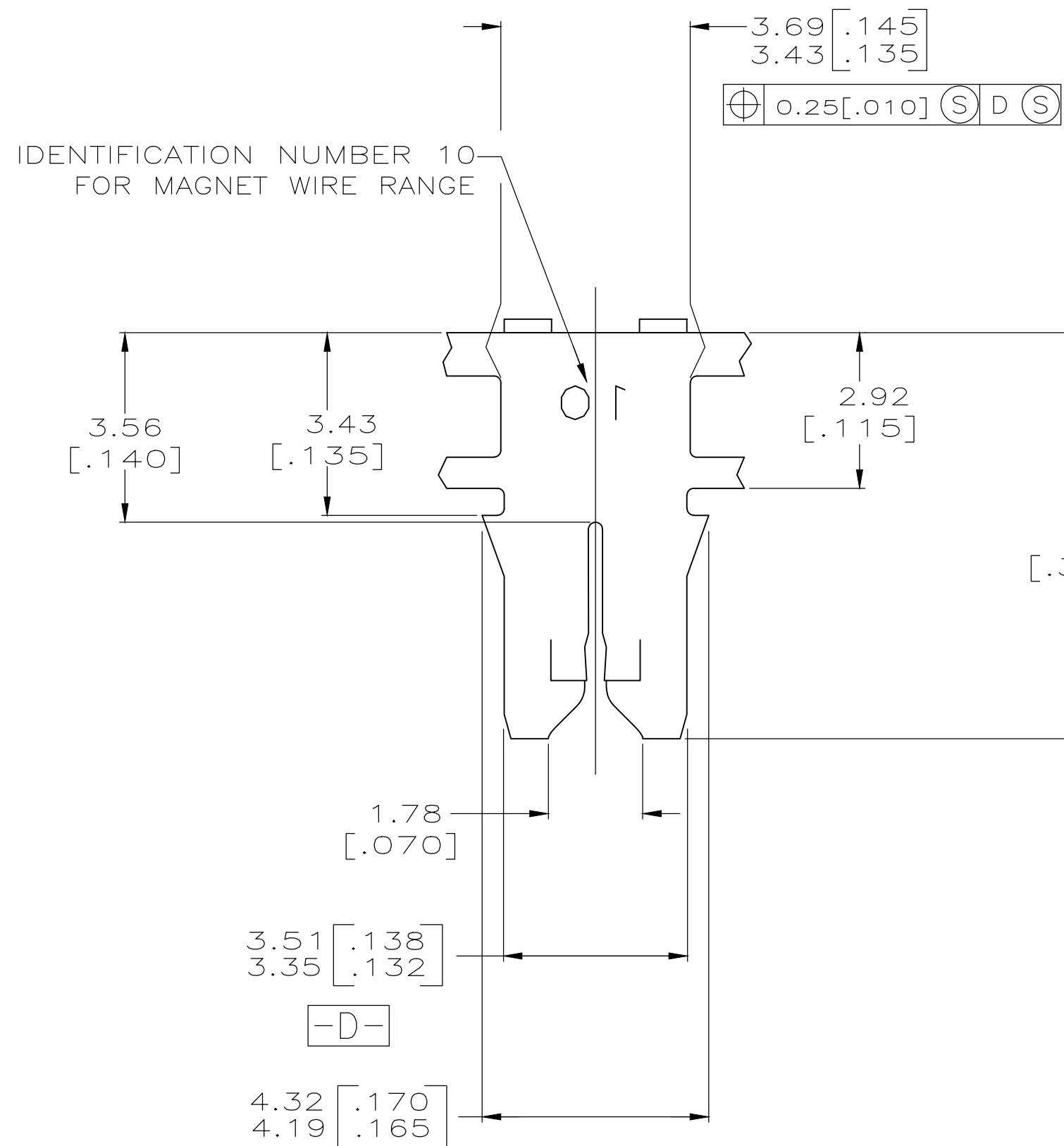
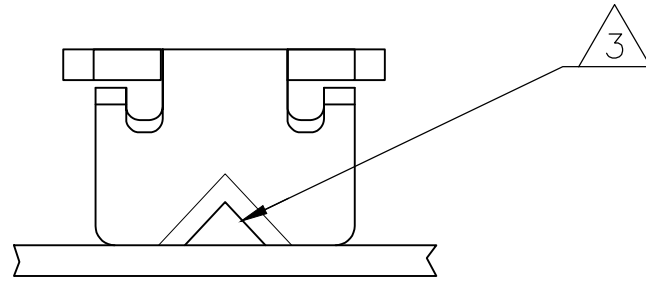


THIS DRAWING IS UNPUBLISHED. RELEASED FOR PUBLICATION  
 © COPYRIGHT - By - ALL RIGHTS RESERVED.

REVISIONS					
P	LTR	DESCRIPTION	DATE	DWN	APVD
	AH16	REACTIVATING 62935-6	06FEB2018	SV	PKS

RESTRICTED FOR CUSTOMER BSH-GERMANY

- 1 CONTINUOUS STRIP ON REELS WITH TERMINALS LOCATED ON 5.59±0.08 [.220±.003] CENTERS.
- 2 SLOT ACCEPTS EITHER A SINGLE OR DOUBLE MAGNET WIRE OF THE SAME SIZE AND TYPE. COPPER RANGE 0.36-0.57mm [#27-#23 AWG]. ALUMINUM RANGE 0.51-0.64mm [#24-#22 AWG]
- 3 POKE-IN ACCEPTS A 0.50-0.90mm<sup>2</sup> [#20-#18] AWG SOLID OR FUSED STRANDED LEAD WIRE.
- 4 SPECIAL REEL QUANTITY - SPAIN PRODUCTION ONLY.
- 5 PRELIMINARY - NOT FOR PRODUCTION.
- 6 NON-US PRODUCTION ONLY.
- 7 PREPRODUCTION - FASR REQUIRED.



	STANDARD	PAPER SPLICE	WITHOUT PAPER	TIN PLATED	BRASS	8 2-62935-0
	STANDARD	PAPER SPLICE	WITHOUT PAPER	TIN PLATED	CuNiSi	62935-9
	STANDARD	PAPER SPLICE	WITHOUT PAPER	TIN PLATED	BRASS	62935-8
	STANDARD	SPLICE FREE	WITH PAPER	TIN PLATED	BRASS	6 62935-7
	REVERSE	WELD SPLICE	WITHOUT PAPER	TIN PLATED	BRASS	62935-6
OBSOLETE	STANDARD	WELD SPLICE	WITHOUT PAPER	TIN PLATED	BRASS	4 62935-5
OBSOLETE	STANDARD	SPLICE FREE	PLASTIC REEL W/O PAPER	TIN PLATED	BRASS	62935-4
	STANDARD	WELD SPLICE	WITH PAPER	TIN PLATED	BRASS	62935-3
	STANDARD	WELD SPLICE	PLASTIC REEL W/ PAPER	NONE	BRASS	6 62935-2
	STANDARD	WELD SPLICE	WITHOUT PAPER	TIN PLATED	BRASS	62935-1
REELING DIRECTION	SPLICE		REELING	FINISH	MATERIAL	PART NUMBER

THIS DRAWING IS A CONTROLLED DOCUMENT.

DIMENSIONS: INCHES	TOLERANCES UNLESS OTHERWISE SPECIFIED:	DWN 15MAR2004 MICHAEL S. FEHER	 TE Connectivity TERMINAL, POKE-IN, 300 SERIES MAG-MATE
		CHK 15MAR2004 KURT A. RANDOLPH	
		APVD 15MAR2004 KURT A. RANDOLPH	
		PRODUCT SPEC 108-2012	
MATERIAL SEE TABLE	FINISH SEE TABLE	APPLICATION SPEC 114-2046	SIZE CAGE CODE DRAWING NO A2 00779 C-62935
		WEIGHT 0	RESTRICTED TO -
		CUSTOMER DRAWING	SCALE 10:1 SHEET 1 OF 1 REV AH16