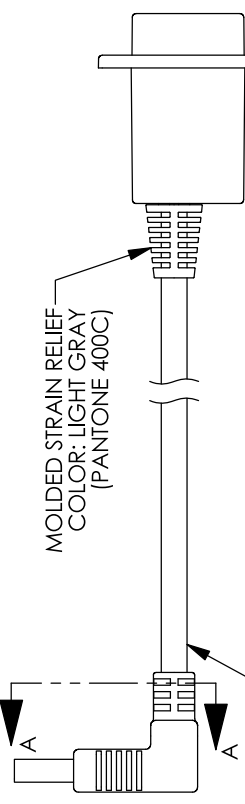
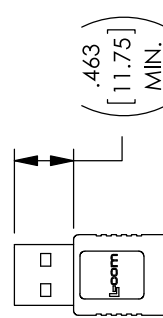
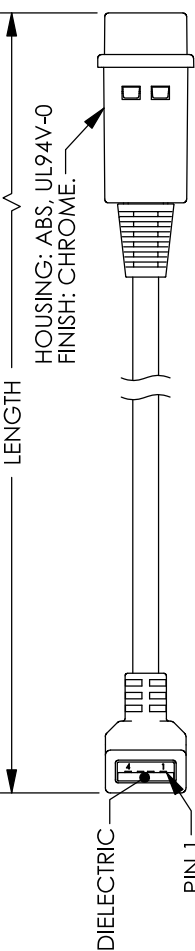
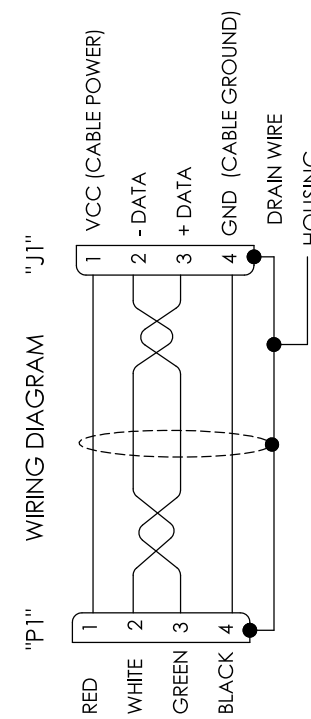


THE INFORMATION CONTAINED IN THIS DRAWING IS THE SOLE PROPERTY OF L-COM, INC. ANY REPRODUCTION IN PART OR WHOLE WITHOUT THE WRITTEN PERMISSION OF L-COM, INC. IS PROHIBITED.

PART NUMBER	LENGTH	
	INCHES	MM
U2A00008-12I	12.0	[304.8]
U2A00008-24I	24.0	[609.6]
U2A00008-36I	36.0	[914.4]
U2A00008-72I	72.0	[1828.8]
U2A00008-120I	120.0	[3048.0]



ONE 28AWG STRANDED TINNED COPPER TWISTED PAIR  
TWO 20AWG STRANDED TINNED COPPER CONDUCTORS  
OVERALL ALUMINIZED POLYESTER SHIELD WITH DRAIN WIRE  
PLUS TINNED COPPER BRAIDED SHIELD.  
PVC OUTER JACKET, LIGHT GRAY (PANTONE 400C)

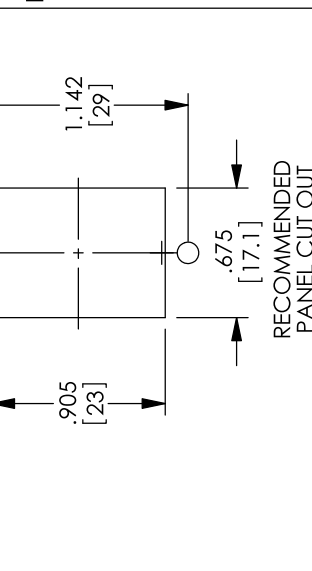
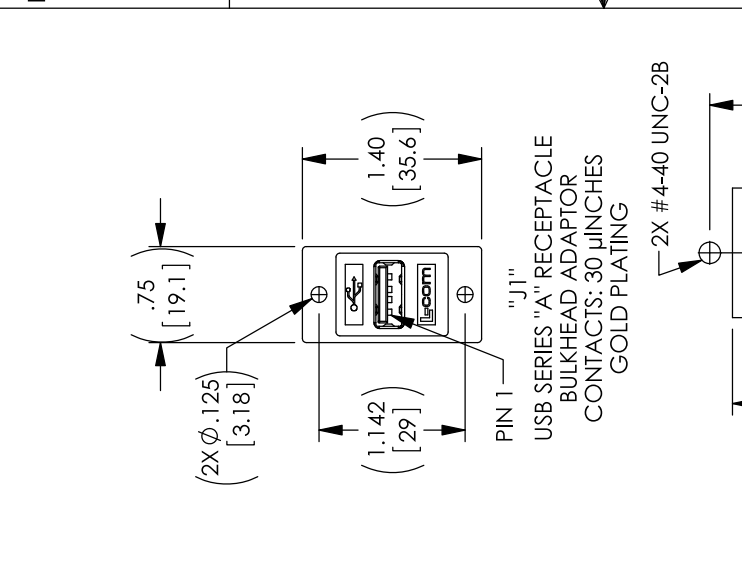


NOTES:

1. OPERATING TEMPERATURE: -10°C TO +70°C.
2. CABLE ASSEMBLY SHALL MEET USB 2.0 REQUIREMENTS.
3. CABLE ASSEMBLY SHALL BE TESTED FOR CONTINUITY.
4. CABLE ASSEMBLY SHALL BE INDIVIDUALLY PACKAGED IN ACCORDANCE WITH L-COM SPECIFICATION PS-0031.

**REGULATORY COMPLIANCE:**  
CE2011/65/EU (RoHS DIRECTIVE)

REV	DESCRIPTION	DATE	APPROVED
A	INITIAL RELEASE	06/28/17	J.LABOY



**L-com** Global Connectivity  
50 HIGH STREET  
NORTH ANDOVER, MA  
01845

CATEGORY: USB

PRODUCT DESCRIPTION: USB2.0 A-F PNL MNT/90UP A-M SHLD

APPROVALS	DATE
DRAWN BY: S.L.I.	06/05/17
CHECKED BY: B.ZHANG	06/05/17
APPROVED BY: B.GATES	06/05/17

UNLESS OTHERWISE SPECIFIED, DIMENSIONS ARE IN INCHES [mm]

OVERALL CABLE LENGTH TOLERANCE:  
 ≤12 [305] = +1 [25] / -0  
 >12 [305] ≤60 [1524] = +2 [5] / -0  
 >60 [1524] ≤120 [3048] = +4 [102] / -0  
 >120 [3048] ≤240 [6096] = +6 [152] / -0  
 >240 [6096] ≤300 [7620] = +5% / -3%

ALL OTHER DIMENSIONAL TOLERANCES:  
 .XX = ±.02 [51]  
 .XXX = ±0.05 [1.3]

CONFIGURATION DETAILS OF UNDIMENSIONED FEATURES MAY VARY

COLOR VARIATIONS MAY OCCUR

SIZE: A  
FCM NO.: 43321  
SCALE: NONE

DWG. NO.: U2A00008

CAD FILE: U2A00008.SLDDRW

REVISION: A

SHEET 1 OF 1