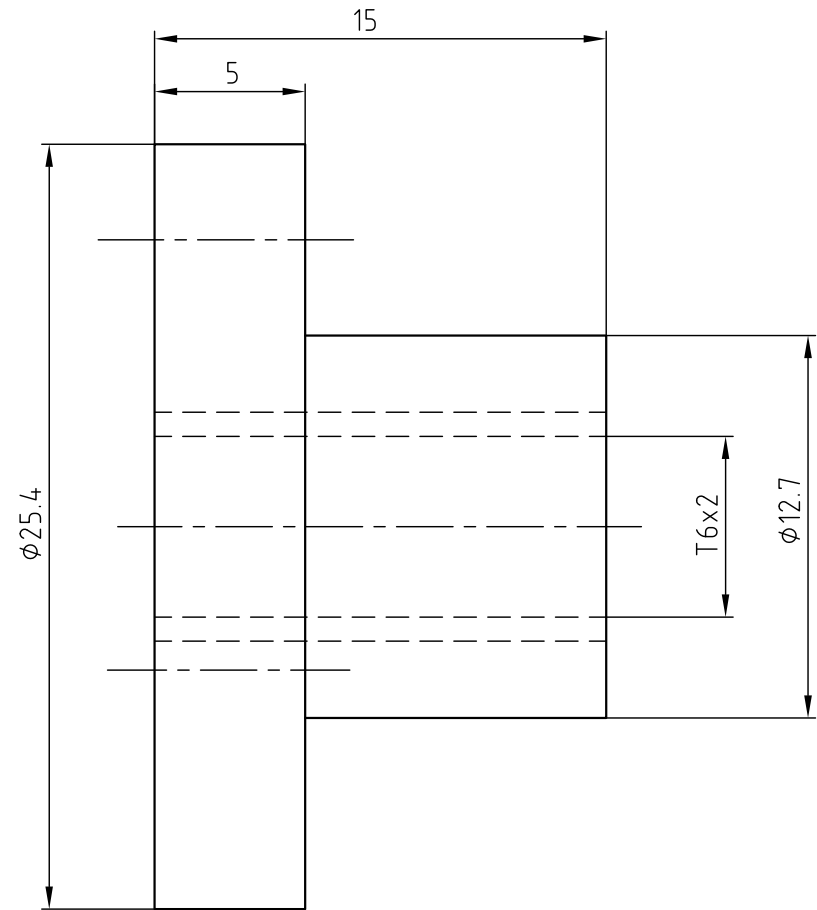
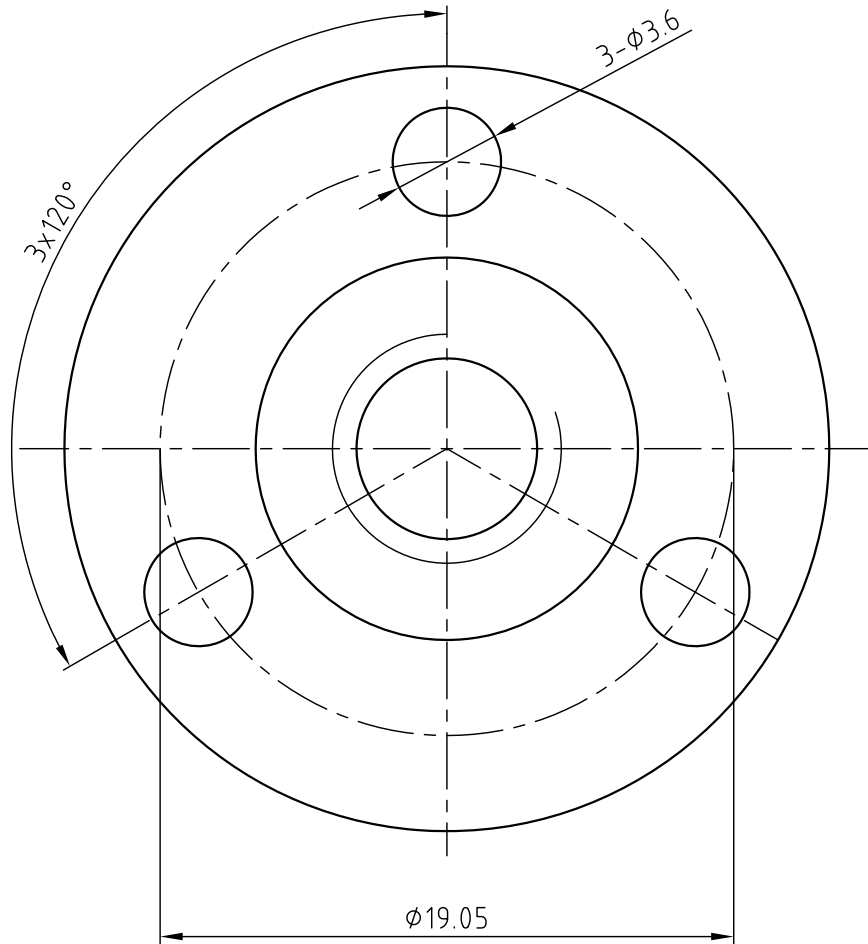


DIMENSION (UNIT : mm)

Toleranz:  $\pm 0.1$



	DIN 2768-m		
	Material:PEEK schwarz		
REV	DESCRIPTION	DATE	APVD



LSNUT-T6x2-F

SCALE FREE	APVD	M 4:1
X $\pm 0.5$	CHKD	
1PL $\pm 0.2$	DRN J.W.	06.08.10
2PL $\pm 0.1$	SIGNATURE	DATE
ANGLE $\pm 30'$		

Gewindemutter
DWG.NO
LSNUT-T6x2-F