



GTT-EUROPE Ltd.

The King Centre, Barleythorpe,
Oakham, Rutland, LE15 7WD United Kingdom
TEL : +44 (0)1572 338011

SPECIFICATION FOR APPROVAL

CUSTOMER : Farnell

PRODUCT : IP67 Antenna,(WiFi),Omni Antenna,2400~2500MHz,
5150~5875MHz,N- PLUG,IP67 & IK09

PART NO. : OE-DB-0104-CN

SHEET NO. : RC170703003

DATE : 2017/11/03

- CUSTOMER CONCLUSION :** **APPROVED**
 REJECTED
 LIMITED
 CONDITIONAL APPROVAL

INCLUDING THIS COVER TOTAL 143 PAGES

*** PLEASE SIGN AND FAX THE RESULT TO US .**

AUTHORIZED SIGNATURES



GTT Europe Ltd.
The King Centre, Barleythorpe, Oakham, Rutland LE15 7WD, United Kingdom

TEL : +44 (0)1572 338011

Part Number : OE-DB-0104-CN

Description: Antenna,(WiFi),Omni Antenna,2400~2500MHz,5150~5875MHz,N-PLUG,IP67, IK09

Table Of Contents

| | | |
|------------|---------------------------------|---|
| 1.0 | The drawing spec | |
| 1.1 | Antenna Assembly & packing..... | 3 |
| 2.0 | Assembly RoHS | |
| | * Other Documents | |
| 2.1 | Antenna RoHS Reportg..... | 6 |

143 Pages

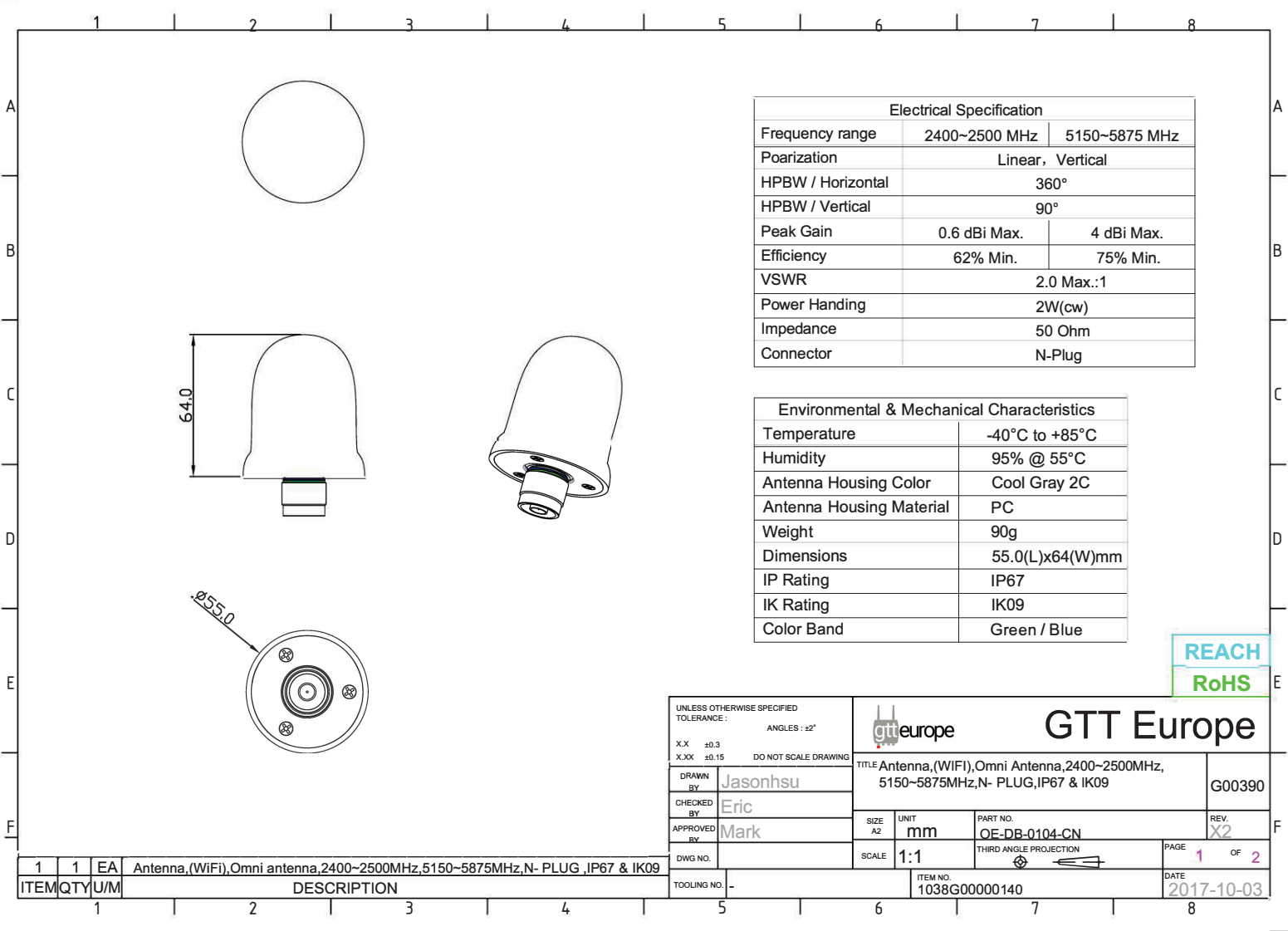


GTT Europe

| | | | | | |
|------------|---------------|-----------|---------------|----------------|--------|
| Part No. | OE-DB-0104-CN | Item No. | 1038G00000140 | Customer Code: | G00390 |
| Edited By: | Jasonhsu | Check By: | Eric | Approved By: | Mark |

Standard Specification

| REVISIONS | | | | |
|------------|------|------|-------------|---------|
| DATE | REV. | ZONE | DESCRIPTION | ECN NO. |
| 2017-09-19 | X1 | XX | NEW RELEASE | |
| 2017-10-03 | X2 | XX | Modify Spec | |
| | | | | |
| | | | | |
| | | | | |



| Electrical Specification | | |
|--------------------------|------------------|---------------|
| Frequency range | 2400~2500 MHz | 5150~5875 MHz |
| Polarization | Linear, Vertical | |
| HPBW / Horizontal | 360° | |
| HPBW / Vertical | 90° | |
| Peak Gain | 0.6 dBi Max. | 4 dBi Max. |
| Efficiency | 62% Min. | 75% Min. |
| VSWR | 2.0 Max.:1 | |
| Power Handling | 2W(cw) | |
| Impedance | 50 Ohm | |
| Connector | N-Plug | |

| Environmental & Mechanical Characteristics | |
|--|-----------------|
| Temperature | -40°C to +85°C |
| Humidity | 95% @ 55°C |
| Antenna Housing Color | Cool Gray 2C |
| Antenna Housing Material | PC |
| Weight | 90g |
| Dimensions | 55.0(L)x64(W)mm |
| IP Rating | IP67 |
| IK Rating | IK09 |
| Color Band | Green / Blue |

REACH
RoHS

| | | | | | | | |
|---|--|---|---------|------------------------|--|-------------------|--|
| UNLESS OTHERWISE SPECIFIED TOLERANCE: X.X ±0.3 X.XX ±0.15 DO NOT SCALE DRAWING | | ANGLES: ±2° | | | | GTT Europe | |
| DRAWN BY: Jasonhsu | | TITLE: Antenna,(WiFi),Omni Antenna,2400~2500MHz, 5150~5875MHz,N- PLUG,IP67 & IK09 | | | | G00390 | |
| CHECKED BY: Eric | | SIZE A2 | UNIT mm | PART NO. OE-DB-0104-CN | | REV. X2 | |
| APPROVED BY: Mark | | SCALE 1:1 | | THIRD ANGLE PROJECTION | | PAGE 1 OF 2 | |
| DWG NO. | | ITEM NO. 1038G00000140 | | | | DATE 2017-10-03 | |

| ITEM | QTY | U/M | DESCRIPTION |
|------|-----|-----|--|
| 1 | 1 | EA | Antenna,(WiFi),Omni antenna,2400~2500MHz,5150~5875MHz,N- PLUG ,IP67 & IK09 |