



GTT-EUROPE Ltd.
The King Centre, Barleythorpe,
Oakham, Rutland, LE15 7WD United Kingdom
TEL : +44 (0)1572 338011

SPECIFICATION FOR APPROVAL

CUSTOMER : Farnell

PRODUCT : Antenna,LTE,698~960MHz,1710~2170MHz,
2300~2690MHz,N-PLUG,IP67 & IK09

PART NO. : NA

PART NO. : OE-LTE-04-016-CN

SHEET NO. : RC170703002

DATE : 2017/11/03

CUSTOMER CONCLUSION : **APPROVED**

REJECTED

LIMITED

CONDITIONAL APPROVAL

INCLUDING THIS COVER TOTAL 143 PAGES

*** PLEASE SIGN AND FAX THE RESULT TO US .**

AUTHORIZED SIGNATURES



GTT Europe Ltd.
The King Centre, Barleythorpe, Oakham, Rutland, LE15 7WD United Kingdom

TEL : +44 (0)1572 338011

Part Number : OE-LTE-04-016-CN

Description: Antenna,LTE,698~960MHz,1710~2170MHz,2300~2690MHz,N-PLUG,IP67 & IK09

Table Of Contents

1.0	The drawing spec	
1.1	Antenna Assembly & packing.....	3
2.0	Assembly RoHS	
	* Other Documents	
2.1	Antenna RoHS Reportg.....	6

143 Pages

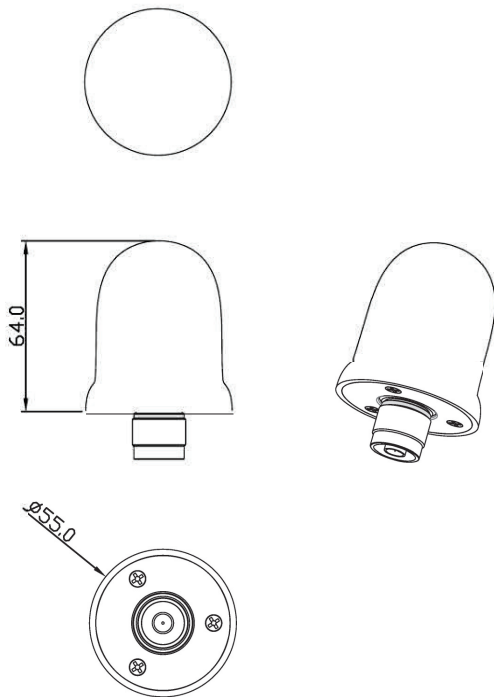


GTT Europe

Part No.	OE-LTE-04-016-CN	Item No.	1036G00000140	Customer Code:	G00390
Edited By:	Jasonhsu	Check By:	Eric	Approved By:	Mark

Standard Specification

REVISIONS				
DATE	REV.	ZONE	DESCRIPTION	ECN NO.
2017-09-19	X1	XX	NEW RELEASE	
2017-10-03	X2	XX	Modify Spec	



Electrical Specification			
Frequency range	698~960 MHz	1710~2170 MHz	2300~2690 MHz
Polarization	Linear, Vertical		
HPBW / Horizontal	360°		
HPBW / Vertical	90°		
Peak Gain	0.2 dBi Max.	2.2 dBi Max.	2.0 dBi Max.
Efficiency	15% Min.	62% Min.	80% Min.
VSWR	4.0 Max.:1	2.0 Max.:1	2.0 Max.:1
Power Handling	2W(cw)		
Impedance	50 Ohm		
Connector	N-Plug		

Environmental & Mechanical Characteristics	
Temperature	-40°C to +85°C
Humidity	95% @ 55°C
Antenna Housing Color	Cool Gray 2C
Antenna Housing Material	PC
Weight	90g
Dimensions	55.0(L)x64(W)mm
IP Rating	IP67
IK Rating	IK09
Color Band	Gray

REACH
RoHS

UNLESS OTHERWISE SPECIFIED TOLERANCE: ANGLES: ±2°		gtt europe		GTT Europe	
X.X ±0.3		TITLE Antenna,LTE,698~960MHz,1710~2170MHz, 2300~2690MHz,N-PLUG,IP67 & IK09			
X.XX ±0.15	DO NOT SCALE DRAWING	DRAWN BY Jasonhsu		G00390	
CHECKED BY Eric		SIZE A2	UNIT mm	PART NO. OE-LTE-04-016-CN	REV. X2
APPROVED BY Mark		SCALE 1:1	THIRD ANGLE PROJECTION		PAGE 1 OF 2
DWG NO. -		ITEM NO. 1036G00000140		DATE 2017-10-03	

ITEM	QTY	U/M	DESCRIPTION
1	1	EA	Antenna,LTE,698~960MHz,1710~2170MHz,2300~2690MHz,N-PLUG,IP67 & IK09