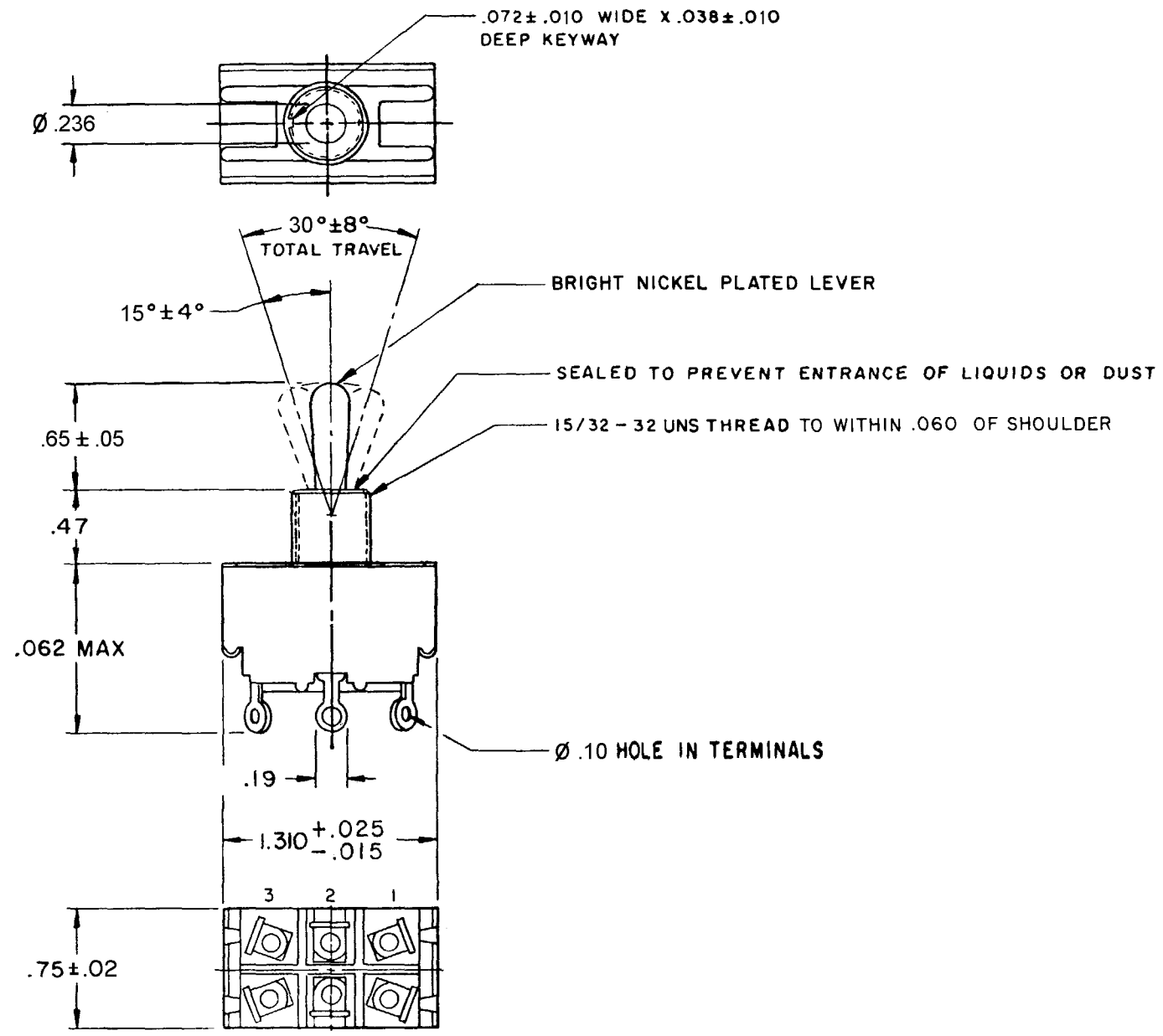
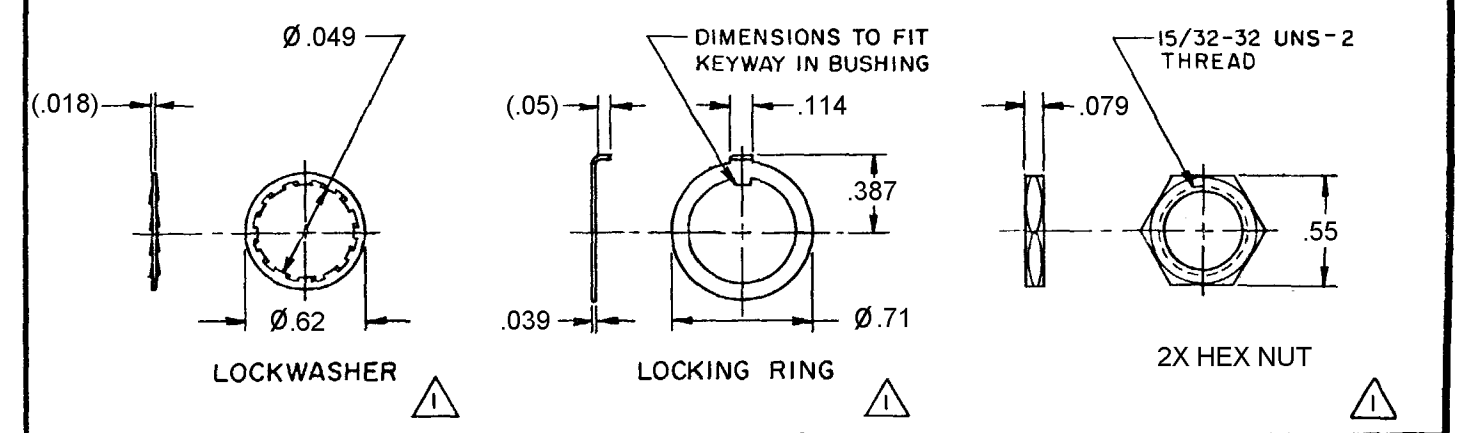


PART NUMBER
SEE TABLE

REVISION HISTORY					
REV	DOCUMENT	DESCRIPTION	CHGD BY	DATE	APPROVED
15	0106359	REDRAWN WITH CHANGE	RH	2013-12-11	M. NIRANJAN



CAT. LIST.	CIRCUIT WITH TOGGLE IN			ELECTRICAL DATA	RELEASE NO.
	EXTREME POSITION KEYWAY 1-2	CENTER 4-5	EXTREME POSITION OPPOSITE 2-3 5-6		
12TS115-1	ON	OFF	ON	L312 10A 277 VAC, 20A 125 VAC 1 1/2 HP 125, 250 VAC 	SR-5080
12TS115-2	OFF	NONE	ON		SR-5081
12TS115-3	ON	NONE	ON		SR-5082
(B)	NONE	OFF	ON		ETS
(C)	NONE	OFF	ON		ETS
12TS115-5	MOM ON	OFF	ON	L312 10A 277 VAC, 20A 125 VAC 1 1/2 HP 125, 250 VAC 	SR-5085
(C)	MOM ON	NONE	OFF		SR-5086
(D)	MOM ON	OFF	MOM ON		SR-5087
12TS115-8	MOM ON	NONE	ON		SR-5088
(D)	MOM OFF	NONE	ON		ETS
(B)	MOM ON	OFF	NONE	ETS	



NOTES
 1 - FURNISHED UNASSEMBLED
 2 - VISUAL DIFFERENCES IN TERMINAL SHAPES AND PLATING POSSIBLE

UNLESS OTHERWISE SPECIFIED
 DIMENSIONS ARE IN INCHES
 DECIMAL TOL NO PLACE ---
 1 PLACE --- ±.030
 2 PLACE --- ±.015
 3 PLACE --- ±.005
 ANGULAR TOL - CHAMFER -

THIRD ANGLE PROJECTION

MATERIAL

FINISH

APPLICABLE DOCUMENTS: ASME Y14.100-2004
 ASME Y14.5-2009

COMPUTER GENERATED DRAWING: RASTER

Honeywell

TITLE
SWITCH, TOGGLE

SIZE B	CAGE CODE -	DWG NO 12TS115 SERIES CHART 1	TYPE I	REV 15
SCALE NONE	REF WT: .10 LBS MAX	SHEET 1 of 1		
RELEASE DATE 1972-10-06	DRW: DBW	1972-10-06	HONEYWELL CONFIDENTIAL	
RDE: -	OA: -	CHK: -	THIS DOCUMENT CONTAINS PROPRIETARY INFORMATION AND SUCH INFORMATION MAY NOT BE DISCLOSED TO OTHERS FOR ANY PURPOSE, NOR USED FOR MANUFACTURING PURPOSE'S WITHOUT WRITTEN PERMISSION FROM HONEYWELL	