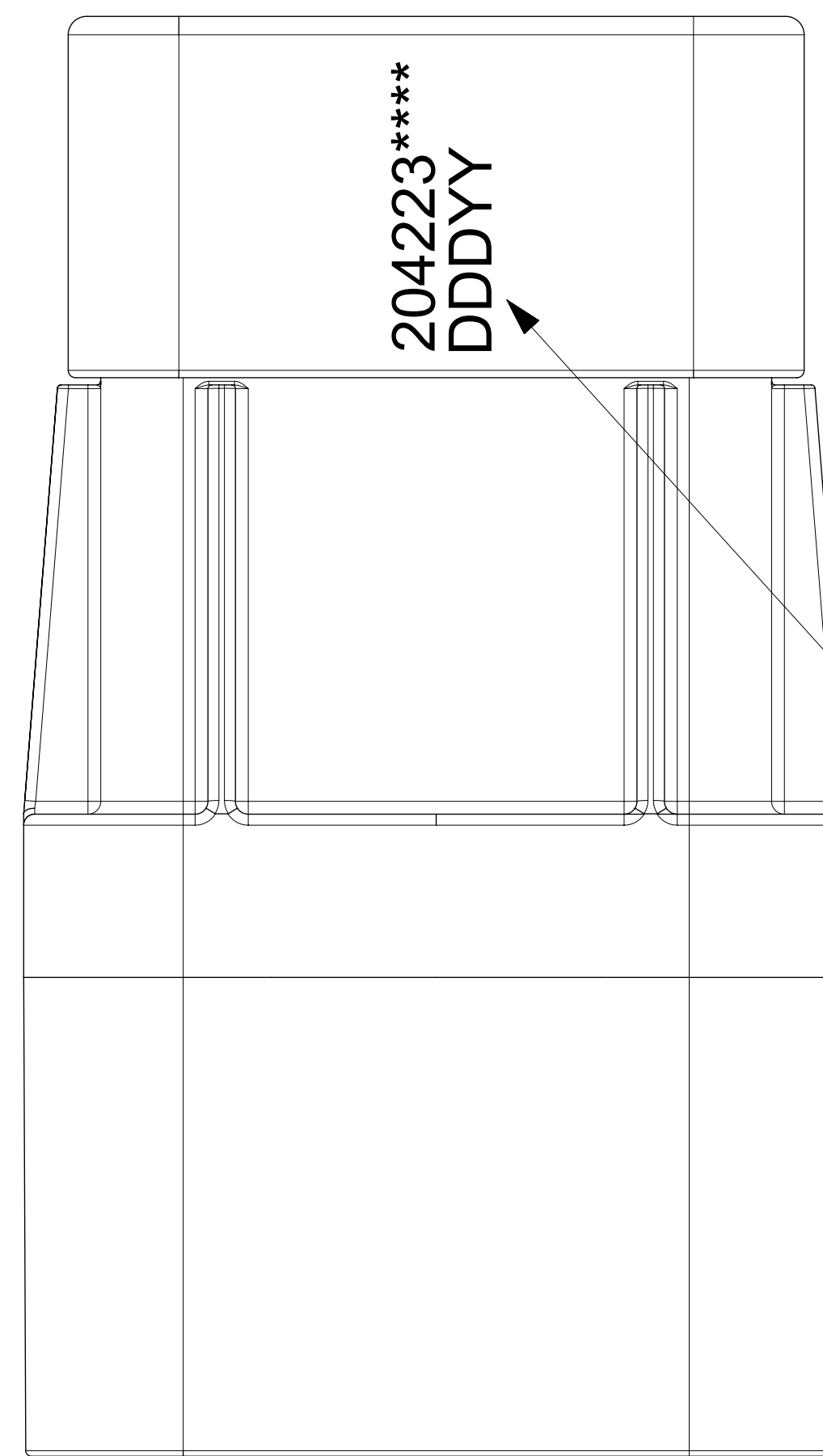
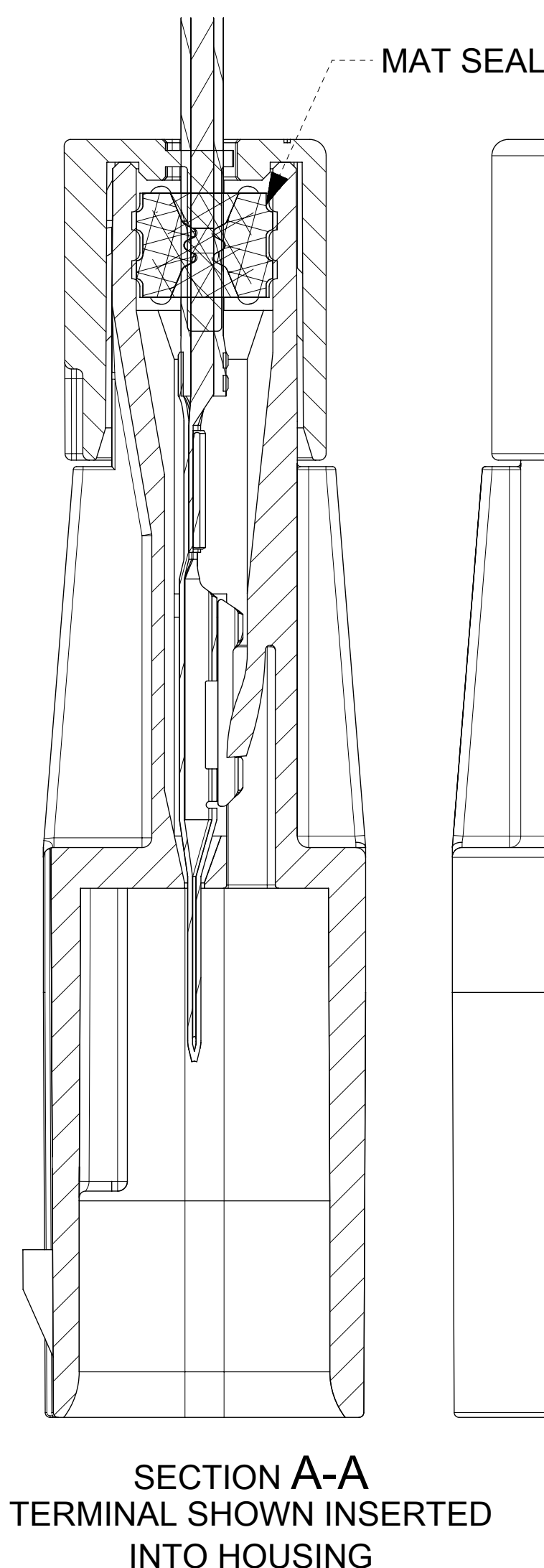
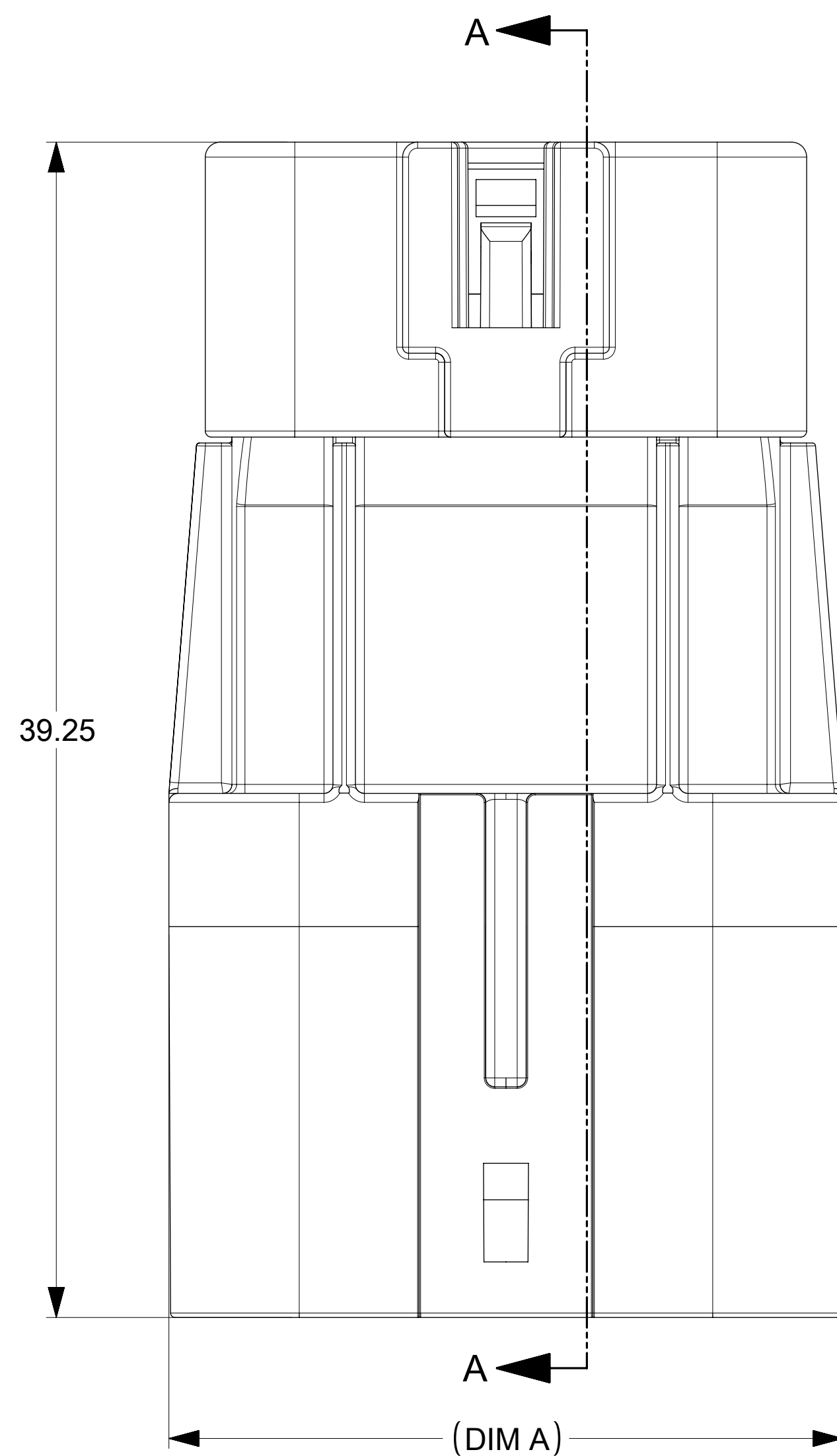
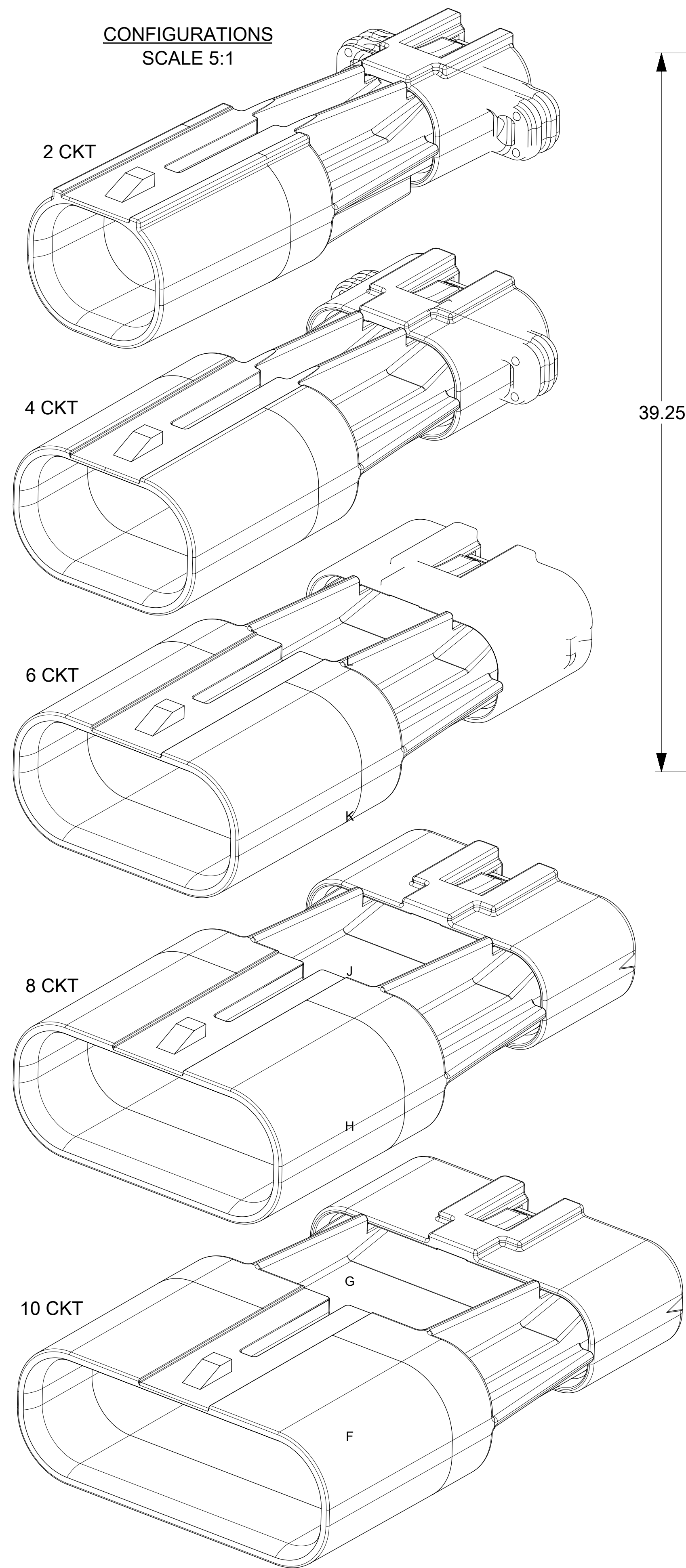
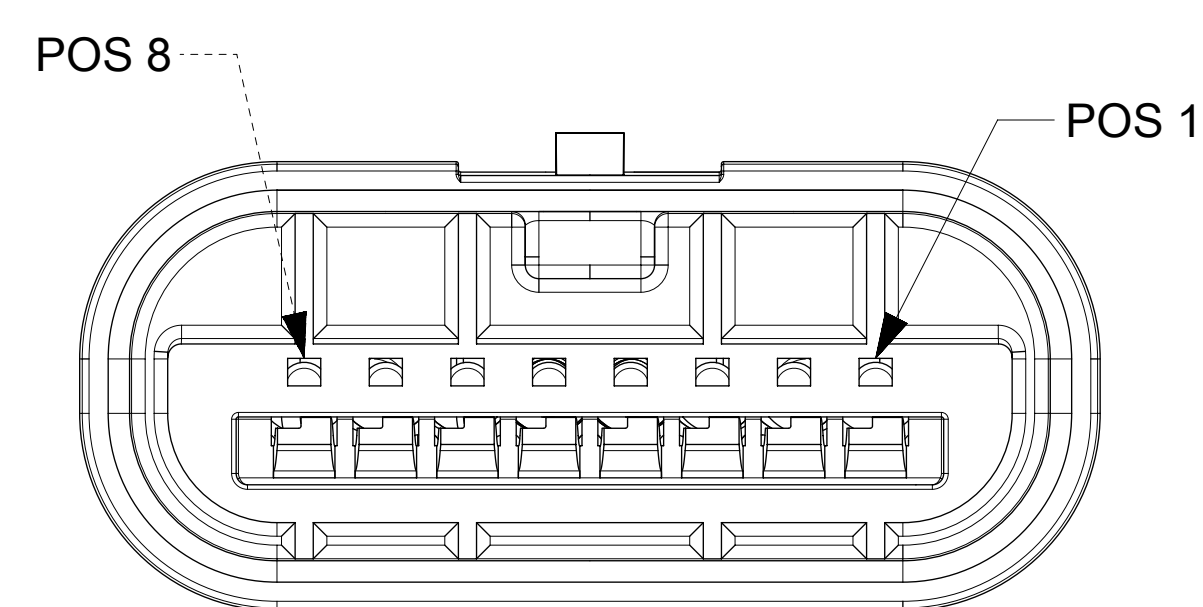


CONFIGURATIONS  
SCALE 5:1

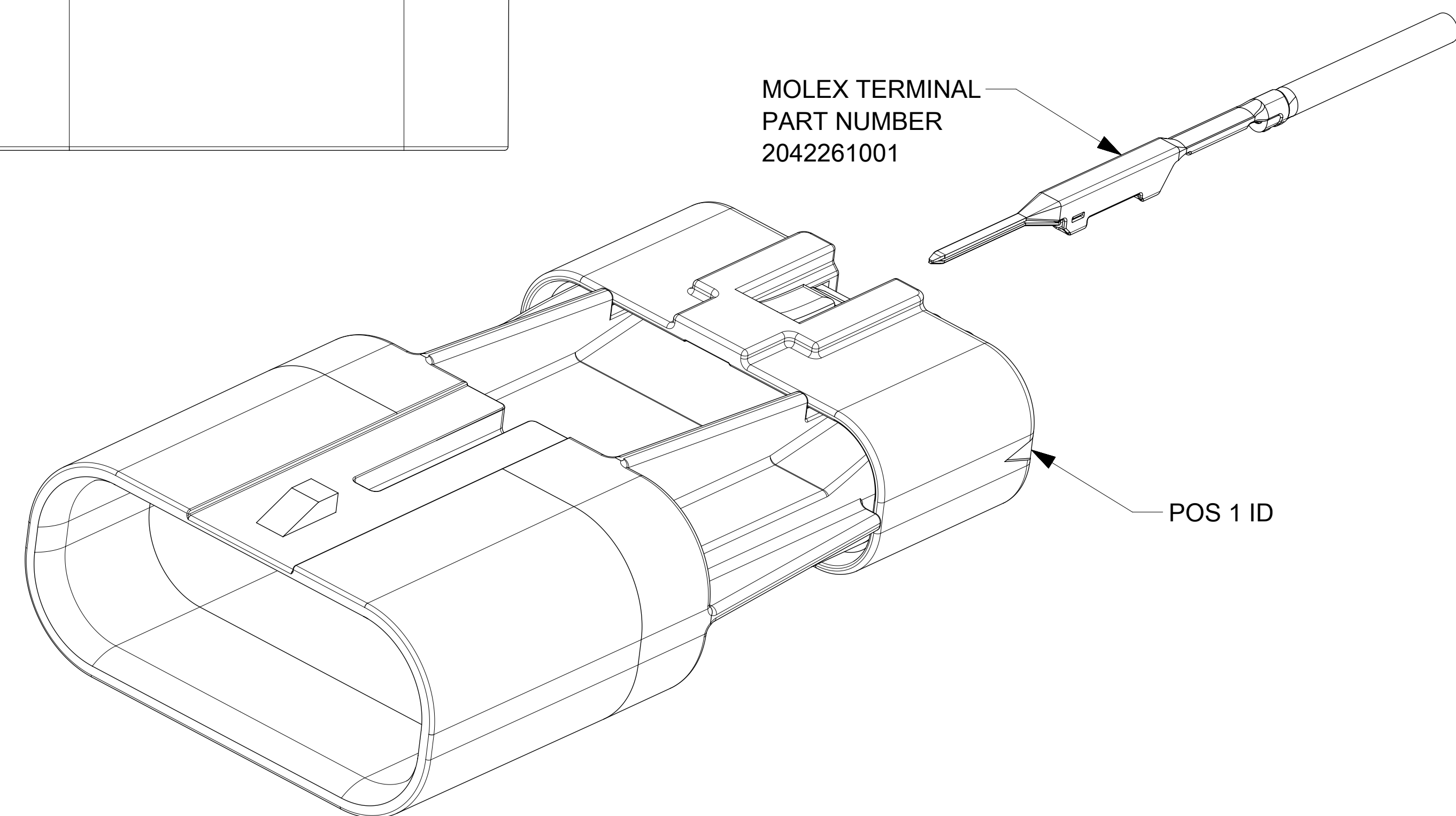


- NOTES:**
- MATERIAL:  
HOUSING & REAR SEAL CAP: NYLON, UL94V-0, COLOR: BLACK  
SEALS: INHERENTLY LUBRICATED SILICONE
  - FINISH: NONE
  - PRODUCT SPECIFICATION: 2042200000-PS
  - APPLICATION SPECIFICATION: 2042200000-AS
  - PACKAGING SPECIFICATION: 2042230000-PK
  - THIS PART MATES WITH RECEPTACLE SERIES 204220.
  - THIS PART USES TERMINAL PART NUMBER 2042261001.
  - THIS PART CONFORMS TO CLASS 'C' REQUIREMENTS OF COSMETIC SPECIFICATION PS-45499-002.
  - SEE SHEET 2 FOR ODD CKT COUNTS AND VOID OPTIONS.



THE SEAL PLUG POS DEFINES WHERE THE SEAL PLUG OR VOIDED CKT IS TO BE LOCATED.

PART NUMBER	# OF CKTS	SEAL PLUG POS	DIM A
2042230002	2	NONE	11.7
2042234004	3	4	15.3
2042230004	4	NONE	15.3
2042236006	5	6	18.9
2042230006	6	NONE	18.9
2042238008	7	8	22.5
2042230008	8	NONE	22.5
2042231110	9	10	26.1
2042230010	10	NONE	26.1



THIS DRAWING CONTAINS INFORMATION THAT IS PROPRIETARY TO MOLEX ELECTRONIC TECHNOLOGIES, LLC AND SHOULD NOT BE USED WITHOUT WRITTEN PERMISSION

EC NO: 173054 DRWN: TREGORI CHKD: RHODGE REV APPR: RHODGE	2018/03/02 2018/03/02 2018/03/02	GENERAL TOLERANCES (UNLESS SPECIFIED) ANGULAR TOL ± ° 4 PLACES ± 3 PLACES ± 2 PLACES ± 1 PLACE ± 0.2 0 PLACES ± DRAFT WHERE APPLICABLE MUST REMAIN WITHIN DIMENSIONS	DIMENSION UNITS: mm SCALE: 6:1 DRWN BY: TREGORI DATE: 2017/05/03 CHKD BY: RHODGE DATE: 2018/01/26		
	PRODUCT CUSTOMER DRAWING		SERIES: 204223 MATERIAL NUMBER: SEE TABLE CUSTOMER: GENERAL MARKET	PLUG ASSEMBLY SQUBA 1.8	
	A1	DOCUMENT NUMBER: 2042230000-SD DOC TYPE: PSD DOC PART: 000 SHEET NUMBER: 1 OF 1			
	RELEASE STATUS: P1 RELEASE DATE: 2018/03/02 19:08:41				