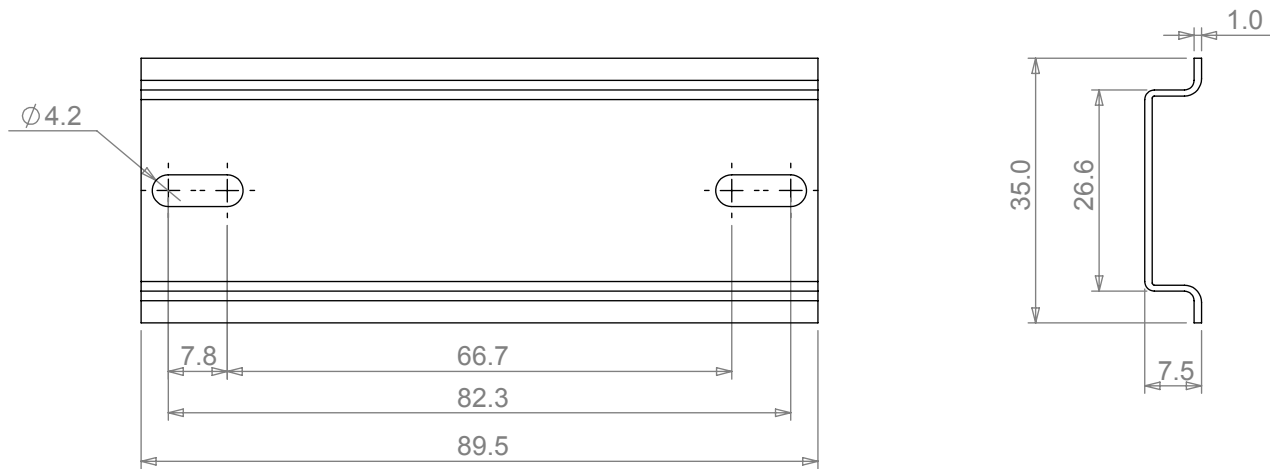


REV	1	DATE	ECN NUMBER	ECR COMMENT	3	4	5	6	7
001		19 Mar 2018		FIRST ISSUE					



		PROPRIETARY AND CONFIDENTIAL: THE INFORMATION CONTAINED IN THIS DRAWING IS THE SOLE PROPERTY OF ALPHA 3 MANUFACTURING. ANY REPRODUCTION IN PART OR AS A WHOLE WITHOUT THE WRITTEN PERMISSION OF ALPHA 3 MANUFACTURING IS PROHIBITED. DEM Manufacturing is a division of Alpha 3 Manufacturing LTD DEM Manufacturing, Deltron Emcon House, Hargreaves Way, Sawcliffe Ind. Park, Scunthorpe, North Lincolnshire, DN15 8RF, UK		UNLESS OTHERWISE SPECIFIED DIMENSIONS ARE IN MILLIMETRES LINEAR & RADIAL TOLERANCE: NO DECIMAL PLACES ±0.5mm 1 DECIMAL PLACE ±0.25mm 2 DECIMAL PLACES ±0.125mm ANGULAR TOLERANCE: ±1°		IF IN DOUBT ASK! DO NOT SCALE DRAWING! FINISH: ZINC PLATED MATERIAL: MILD STEEL THE FINISHED PRODUCT SHOULD BE CLEAN AND FREE FROM ALL LIQUIDS AND DEBRIS. SURFACES SHOULD BE OF UNIFORM APPEARANCE FREE FROM SHARP EDGES, BURRS AND CORROSION		AUTHOR: AY EDITOR: AY APPROVER: DT THIRD ANGLE PROJECTION		TITLE: DIN RAIL 89.5MM LNG FILE: 4DR3530 PART: DR35/10010081 SHEET 1 OF 1 SCALE 1:1 A4		ISSUE/REV.: 001 VERSION: 5 RELEASED EDIT DATE: 19 Mar 2018	
+44(0)1724 273200 www.dem-uk.com													