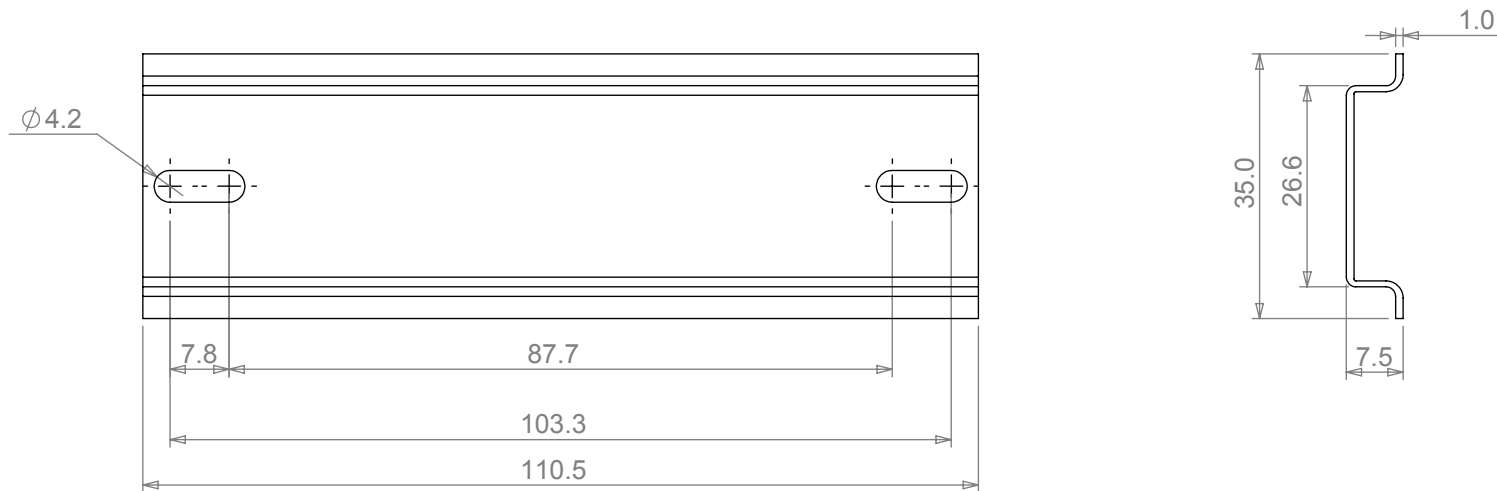


REV	1	DATE	ECN NUMBER	ECR COMMENT	3	4	5	6	7
001		19 Mar 2018		FIRST ISSUE					



PROPRIETARY AND CONFIDENTIAL:
 THE INFORMATION CONTAINED IN THIS DRAWING IS THE SOLE PROPERTY OF ALPHA 3 MANUFACTURING. ANY REPRODUCTION IN PART OR AS A WHOLE WITHOUT THE WRITTEN PERMISSION OF ALPHA 3 MANUFACTURING IS PROHIBITED.
 DEM Manufacturing is a division of Alpha 3 Manufacturing LTD
 DEM Manufacturing, Deltron Emcon House, Hargreaves Way, Sawcliffe Ind. Park, Scunthorpe, North Lincolnshire, DN15 8RF, UK

UNLESS OTHERWISE SPECIFIED DIMENSIONS ARE IN MILLIMETRES
 LINEAR & RADIAL TOLERANCE:
NO DECIMAL PLACES ±0.5mm
1 DECIMAL PLACE ±0.25mm
2 DECIMAL PLACES ±0.125mm
ANGULAR TOLERANCE: ±1°

IF IN DOUBT ASK! DO NOT SCALE DRAWING!
 FINISH: ZINC PLATED
 MATERIAL: MILD STEEL
 THE FINISHED PRODUCT SHOULD BE CLEAN AND FREE FROM ALL LIQUIDS AND DEBRIS. SURFACES SHOULD BE OF UNIFORM APPEARANCE FREE FROM SHARP EDGES, BURRS AND CORROSION

AUTHOR: AY
 EDITOR: AY
 APPROVER: DT
 THIRD ANGLE PROJECTION

TITLE	DIN RAIL 110.5MM LNG		
FILE	4DR3531		
PART	DR35/12012281/91		
SHEET 1 OF 1	ISSUE/REV.	001	VERSION 5
SCALE 1:1 A4	RELEASED	EDIT DATE 19 Mar 2018	

+44(0)1724 273200

www.dem-uk.com