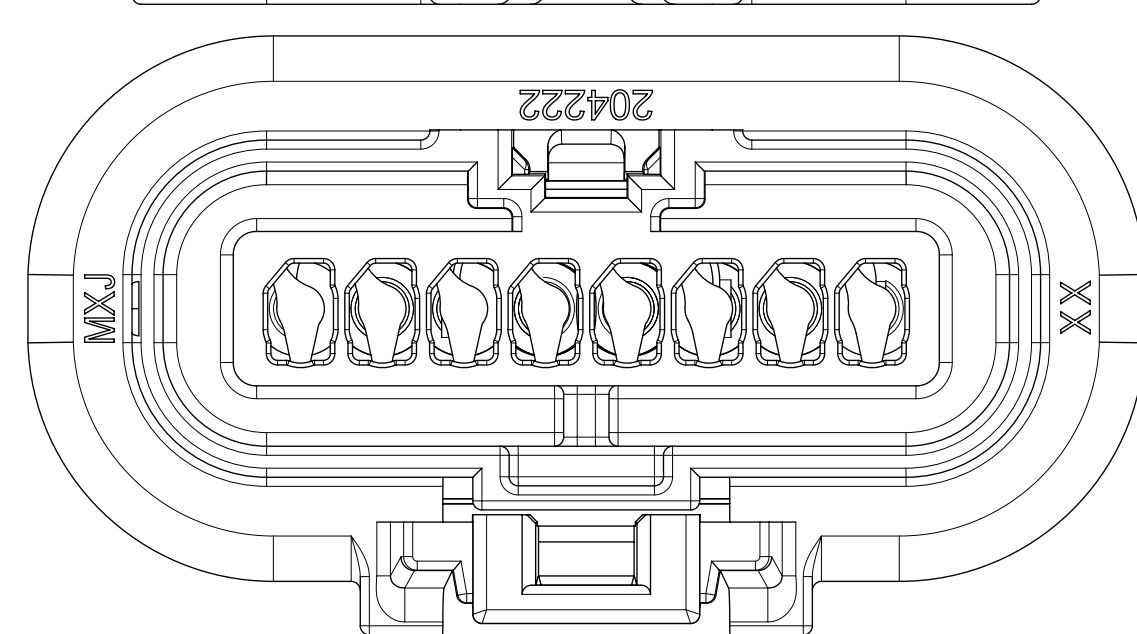
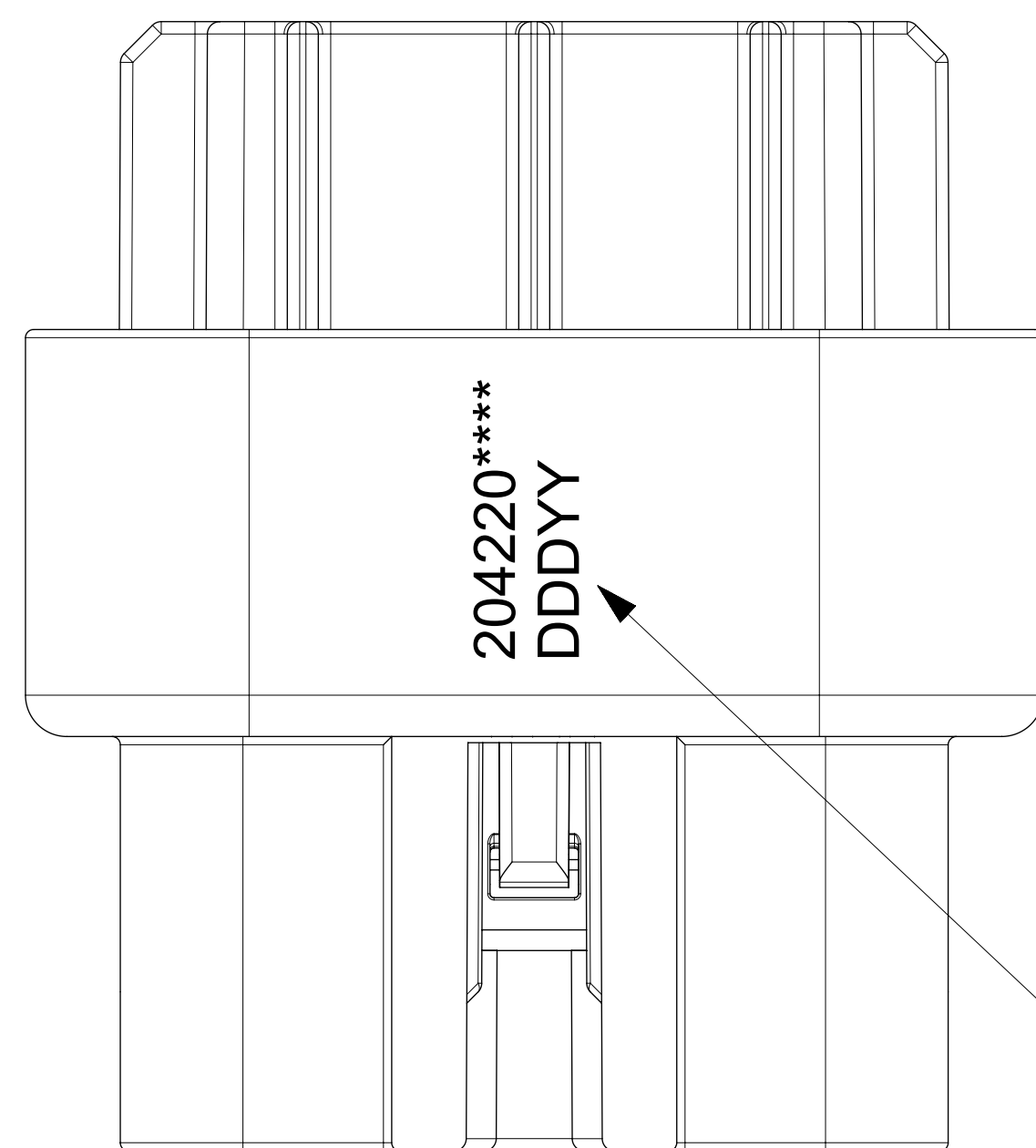
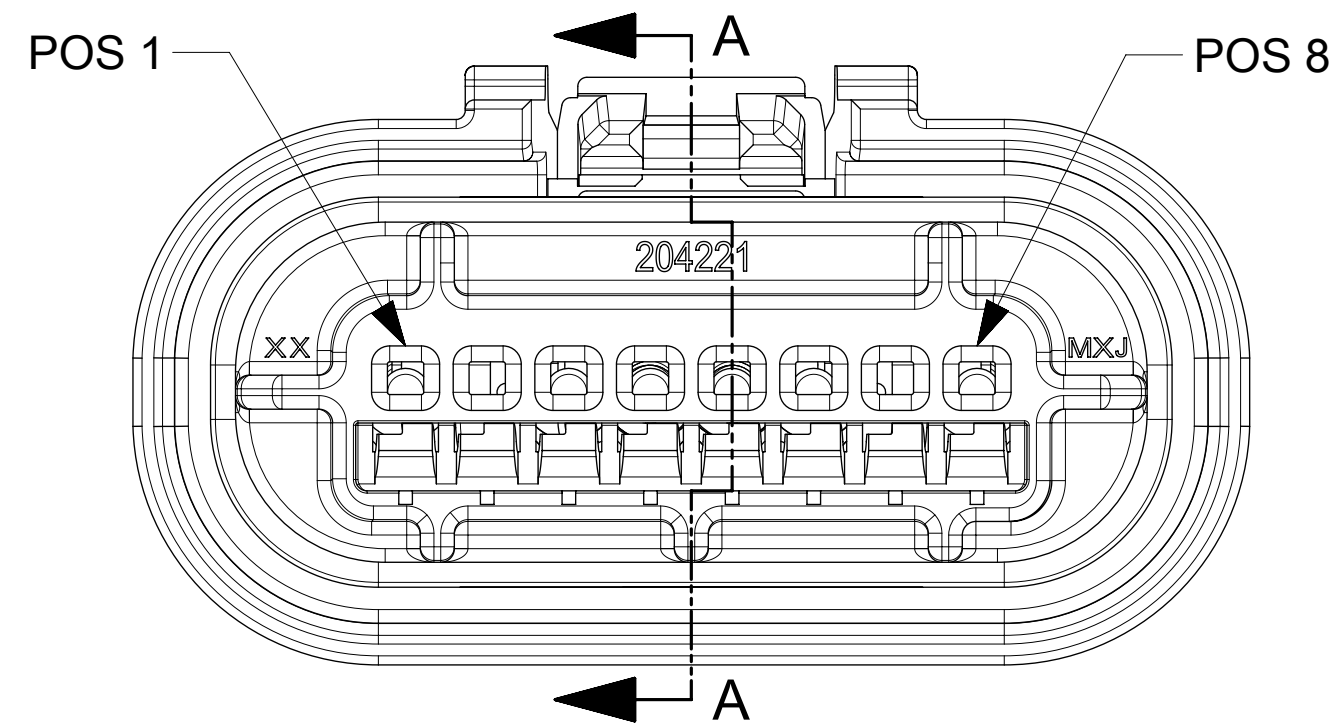
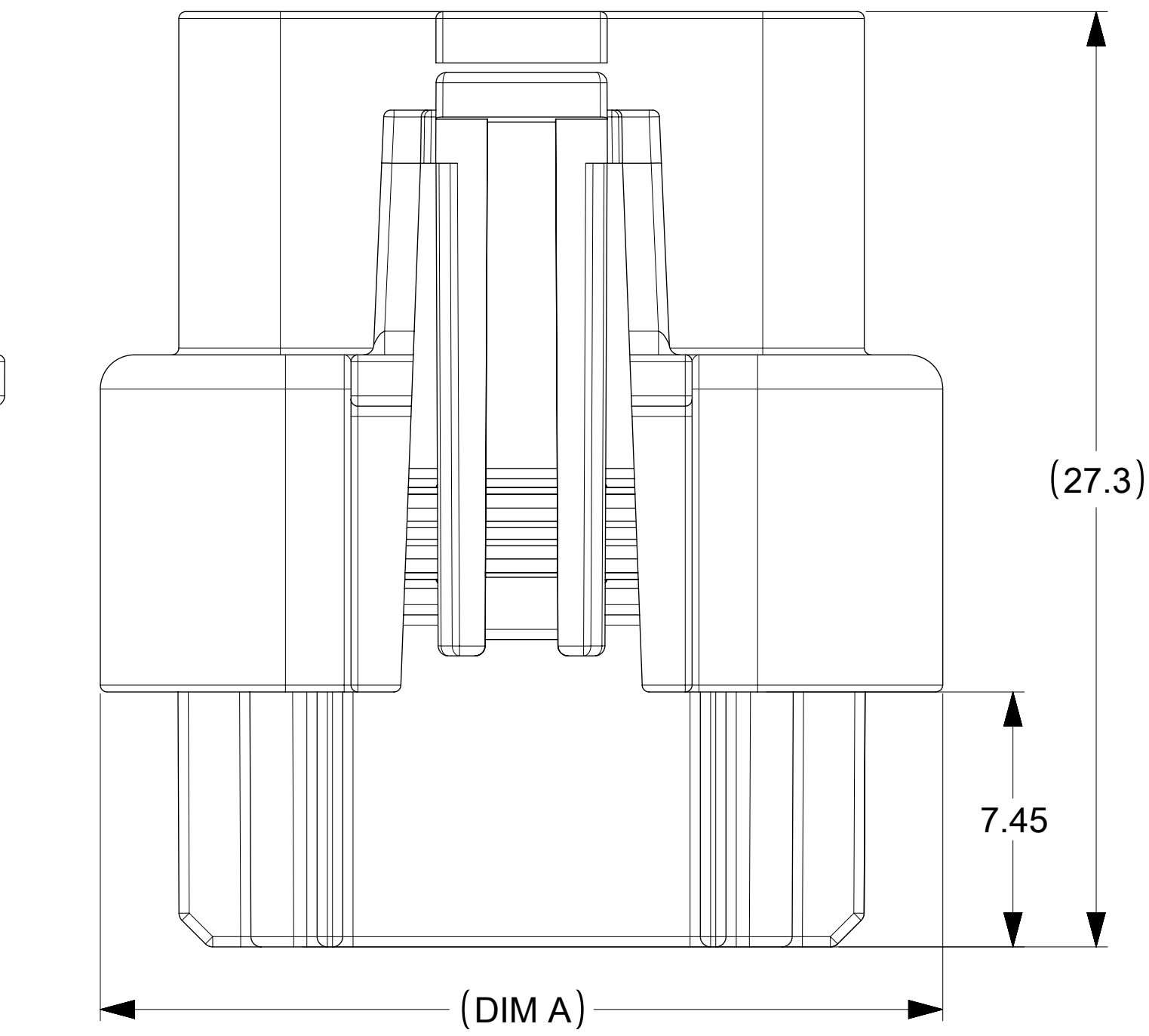
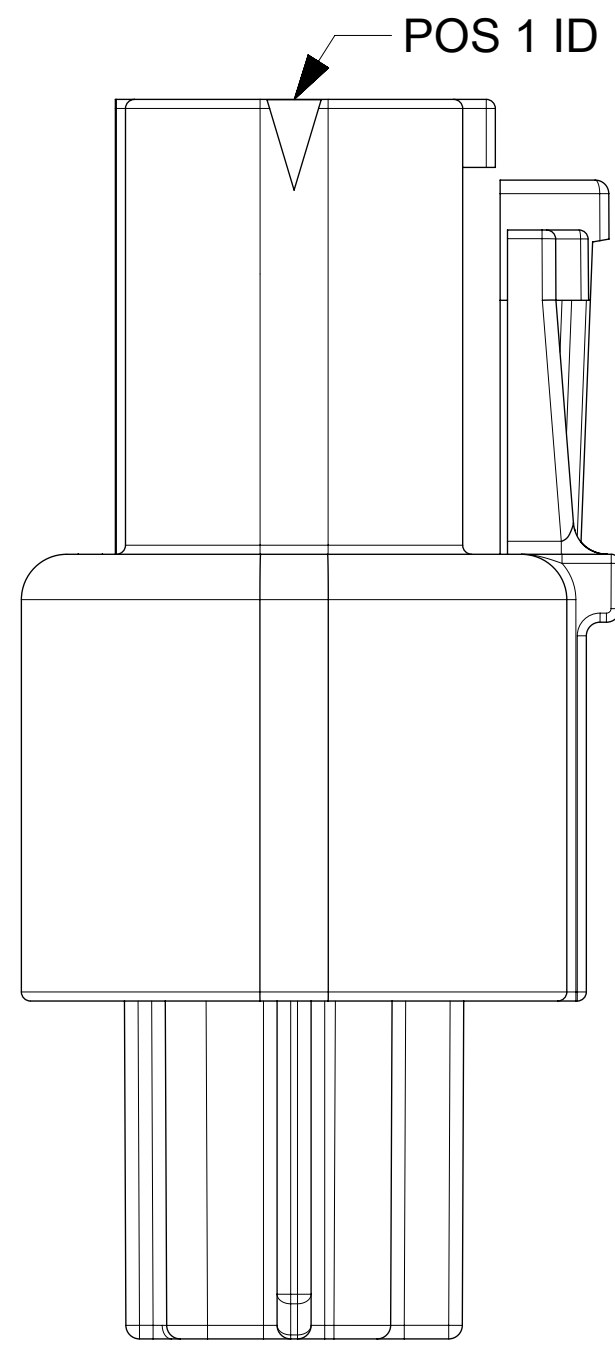
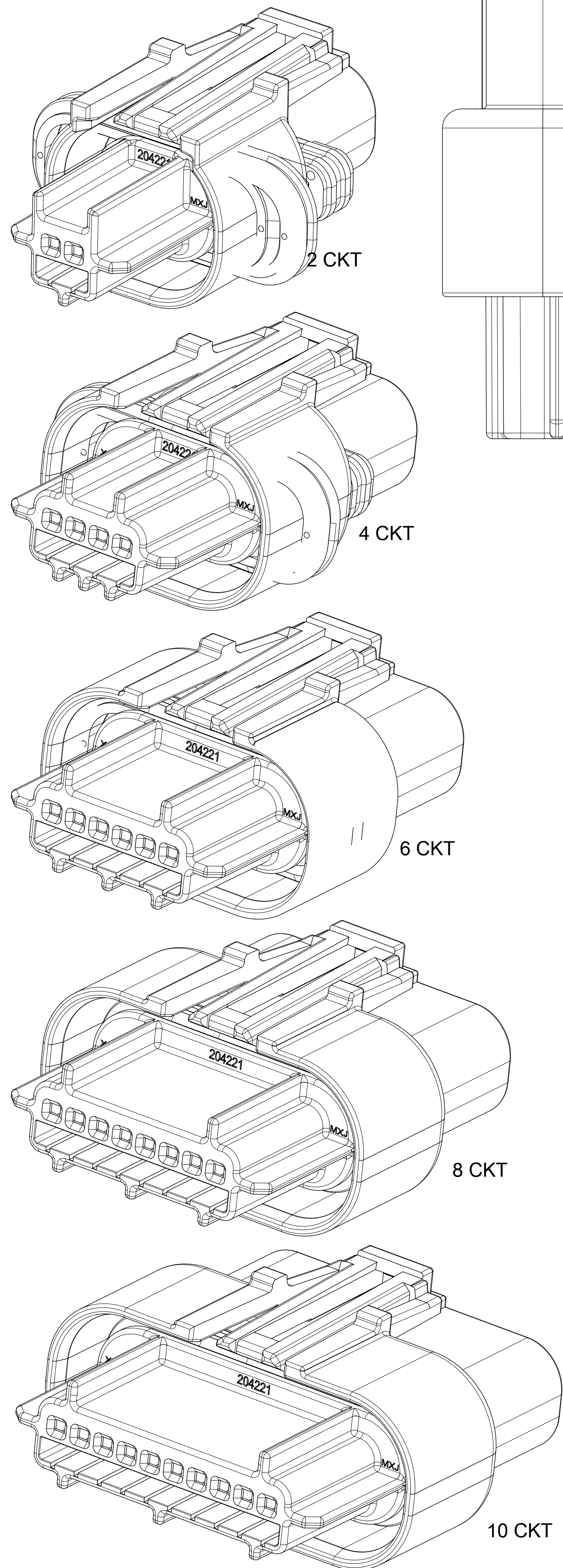
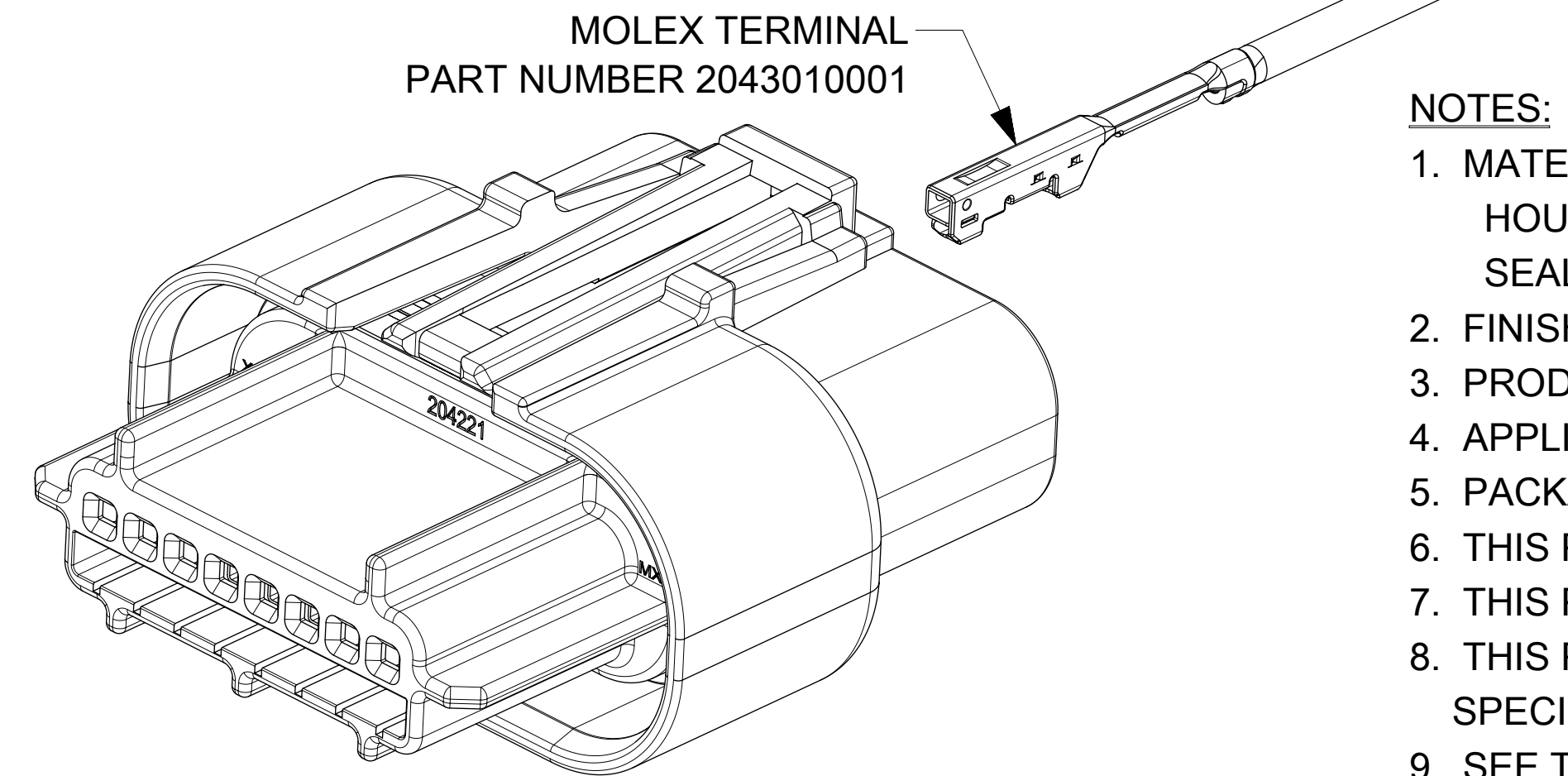
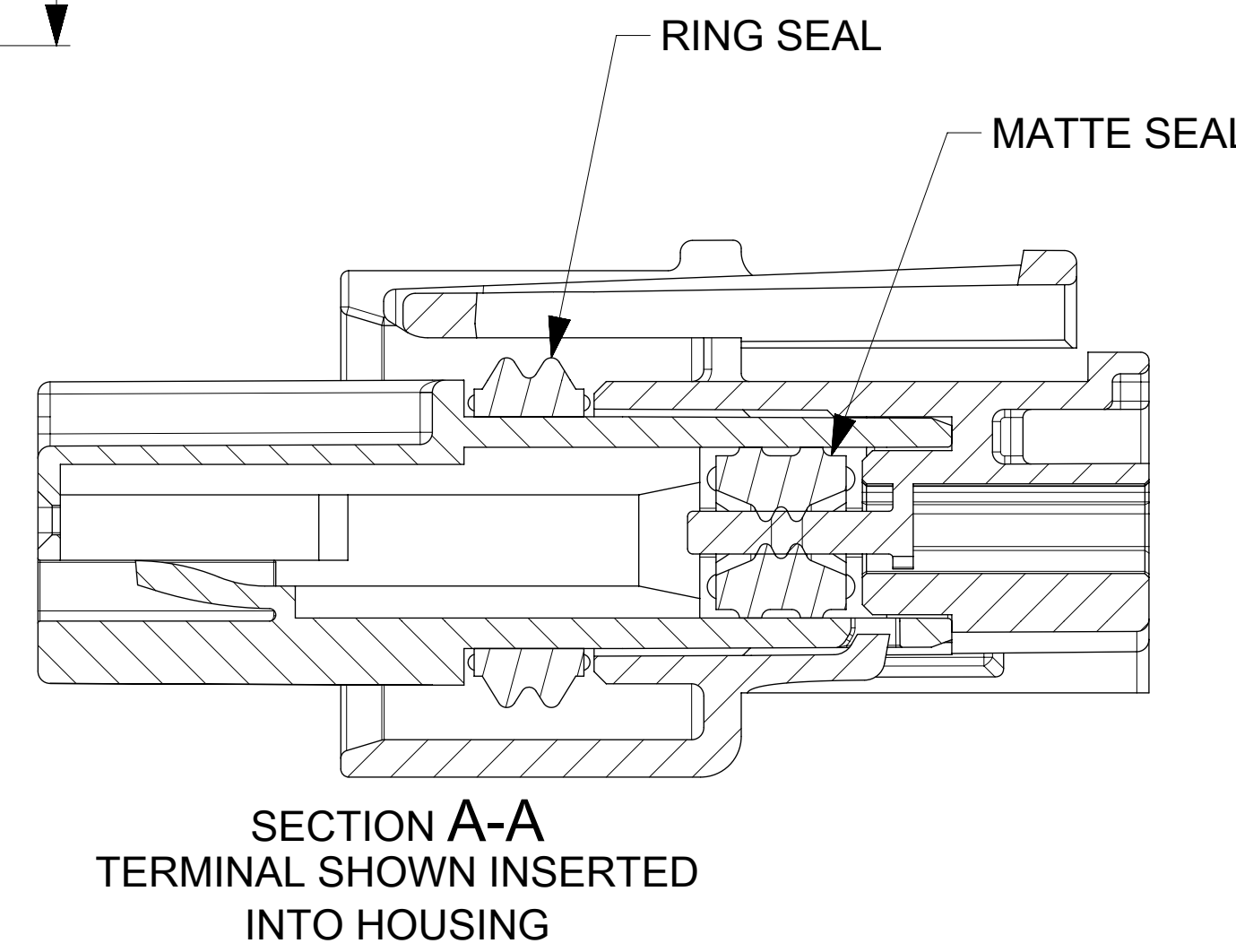


CONFIGURATIONS
SCALE 5:1



THE SEAL PLUG POS DEFINES WHERE THE SEAL PLUG OR VOIDED CKT IS TO BE LOCATED.

PART NUMBER	# OF CKTS	SEAL PLUG POS	DIM A
2042200002	2	NONE	13.8
2042204004	3	4	17.4
2042200004	4	NONE	17.4
2042206006	5	6	21.0
2042200006	6	NONE	21.0
2042208008	7	8	24.6
2042200008	8	NONE	24.6
2042201110	9	10	28.2
2042200010	10	NONE	28.2



- NOTES:**
- MATERIAL:
HOUSING & REAR SEAL CAP: NYLON, UL94V-0, COLOR: BLACK
SEALS: INHERENTLY LUBRICATED SILICONE
 - FINISH: NONE
 - PRODUCT SPECIFICATION: 2042200000-PS
 - APPLICATION SPECIFICATION: 2042200000-AS
 - PACKAGING SPECIFICATION: 2042200000-PK
 - THIS PART MATES WITH PLUG SERIES 204223.
 - THIS PART USES TERMINAL PART NUMBER 2043010001.
 - THIS PART CONFORMS TO CLASS 'C' REQUIREMENTS OF COSMETIC SPECIFICATION PS-45499-002.
 - SEE TABLE FOR ODD CKT COUNTS AND VOID OPTIONS.

APPROX. LASER MARK LOCATION
MOLEX PART NUMBER (SEE TABLE)
JULIAN DATE CODE
DDD = 3 DIGIT DAY
YY = 2 DIGIT YEAR

THIS DRAWING CONTAINS INFORMATION THAT IS PROPRIETARY TO MOLEX ELECTRONIC TECHNOLOGIES, LLC AND SHOULD NOT BE USED WITHOUT WRITTEN PERMISSION

EC NO: 174185 DRWN: TGGREGORI CHKD: TGGREGORI REV APPR: TGGREGORI	GENERAL TOLERANCES (UNLESS SPECIFIED)	DIMENSION UNITS: mm SCALE: 6:1		
	ANGULAR TOL ± °	DRWN BY: TGGREGORI DATE: 2017/04/26		
	4 PLACES ± 3 PLACES ± 2 PLACES ± 0.2 1 PLACE ± 0 PLACES ±	CHKD BY: TGGREGORI DATE:	APPR BY: RHODGE DATE: 2018/01/26	SERIES: 204220 MATERIAL NUMBER: SEE TABLE CUSTOMER: GENERAL MARKET
	DRAFT WHERE APPLICABLE MUST REMAIN WITHIN DIMENSIONS	DRAWING SIZE: D THIRD ANGLE PROJECTION	DOCUMENT NUMBER: 2042200000-SD DOC TYPE: PSD DOC PART: 000 SHEET NUMBER: 1 OF 1	PRODUCT CUSTOMER DRAWING RECEPACLE ASSEMBLY SQUBA 1.8