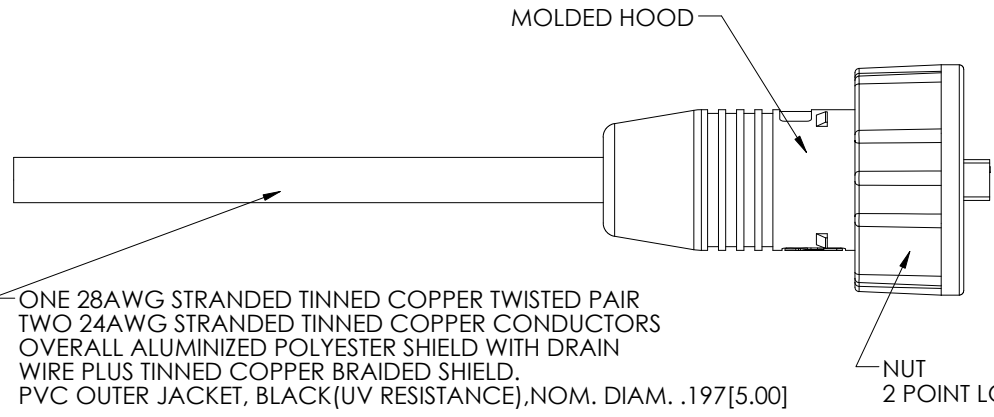
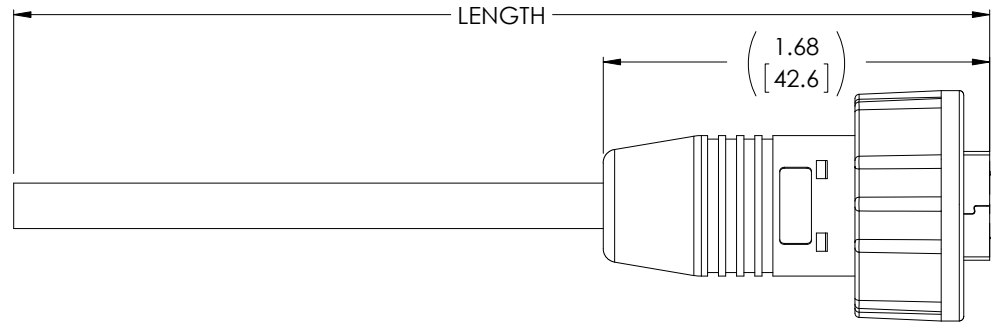
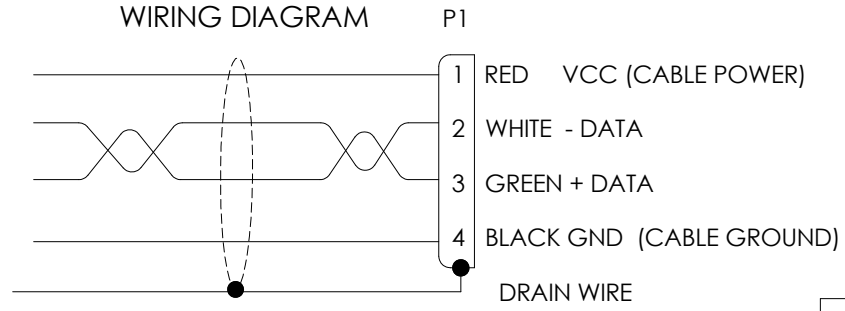
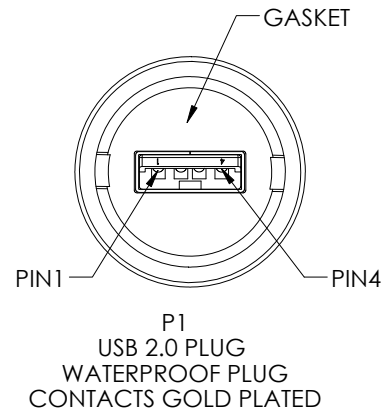


THE INFORMATION CONTAINED IN THIS DRAWING IS THE SOLE PROPERTY OF L-COM, INC. ANY REPRODUCTION IN PART OR WHOLE WITHOUT THE WRITTEN PERMISSION OF L-COM, INC. IS PROHIBITED.

REVISIONS			
REV	DESCRIPTION	DATE	APPROVED
A	INITIAL RELEASE	06/22/17	J.LABOY



ONE 28AWG STRANDED TINNED COPPER TWISTED PAIR
TWO 24AWG STRANDED TINNED COPPER CONDUCTORS
OVERALL ALUMINIZED POLYESTER SHIELD WITH DRAIN
WIRE PLUS TINNED COPPER BRAIDED SHIELD.
PVC OUTER JACKET, BLACK(UV RESISTANCE),NOM. DIAM. .197[5.00]



PART NUMBER	LENGTH	
	METERS	FEET
U2A00009-05M	0.5	1.64
U2A00009-1M	1.0	3.28
U2A00009-2M	2.0	6.56
U2A00009-3M	3.0	9.84
U2A00009-5M	5.0	16.4

NOTES:

1. CABLE ASSEMBLY SHALL BE TESTED FOR CONTINUITY
2. WATERPROOF RATE:IP67
3. CABLE ASSEMBLY SHALL BE INDIVIDUALLY PACKAGED IN ACCORDANCE WITH L-COM SPECIFICATION PS-0031.

REGULATORY COMPLIANCE:
CE2011/65/EU(RoHS DIRECTIVE)

UNLESS OTHERWISE SPECIFIED,
DIMENSIONS ARE IN INCHES [mm]

OVERALL CABLE LENGTH TOLERANCE:
 ≤ 12 [305] = +1 [25] / -0
 >12 [305] ≤ 60 [1524] = +2 [51] / -0
 >60 [1524] ≤ 120 [3048] = +4 [102] / -0
 >120 [3048] ≤ 300 [7620] = +6 [152] / -0
 >300 [7620] = +5% / -0%

ALL OTHER DIMENSIONAL TOLERANCES:
.X = $\pm .2$ [5.08]
.XX = $\pm .02$ [51]
.XXX = $\pm .005$ [13]

PROJECTION

APPROVALS	DATE
DRAWN BY D.CUI	06/21/17
CHECKED BY B.ZHANG	06/21/17
APPROVED BY B.GATES	06/22/17

L-com Global Connectivity

50 HIGH STREET
NORTH ANDOVER, MA
01845

CATEGORY
USB 2.0

PRODUCT DESCRIPTION
USB2.0 M/THREADED/F CBL

SIZE A	FSCM NO. 43321	DWG. NO. U2A00009	REV. A
------------------	--------------------------	-----------------------------	------------------

SCALE: NONE | CAD FILE: U2A00009.SLDDRW | SHEET 1 OF 1