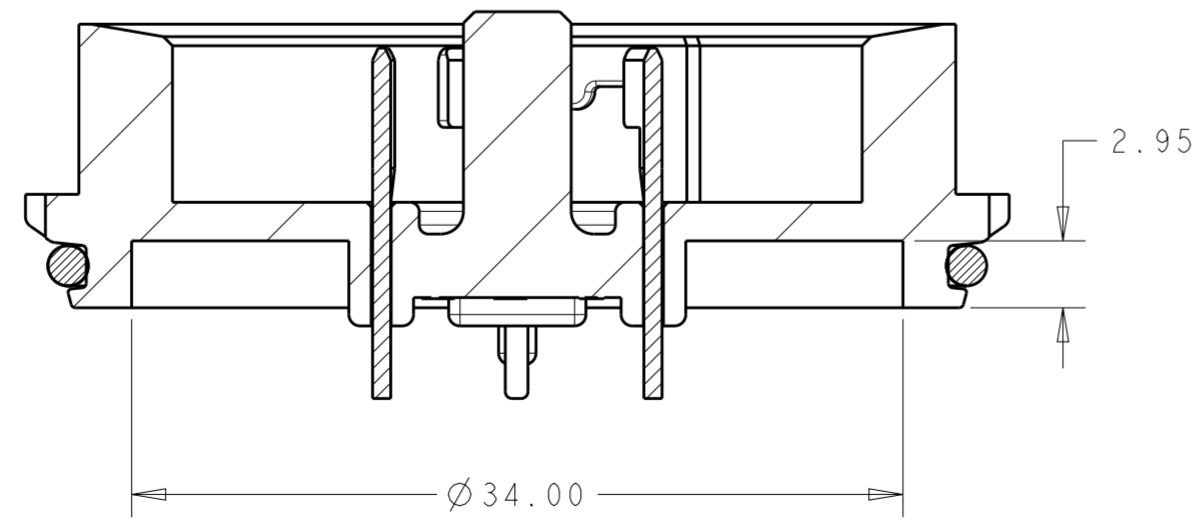
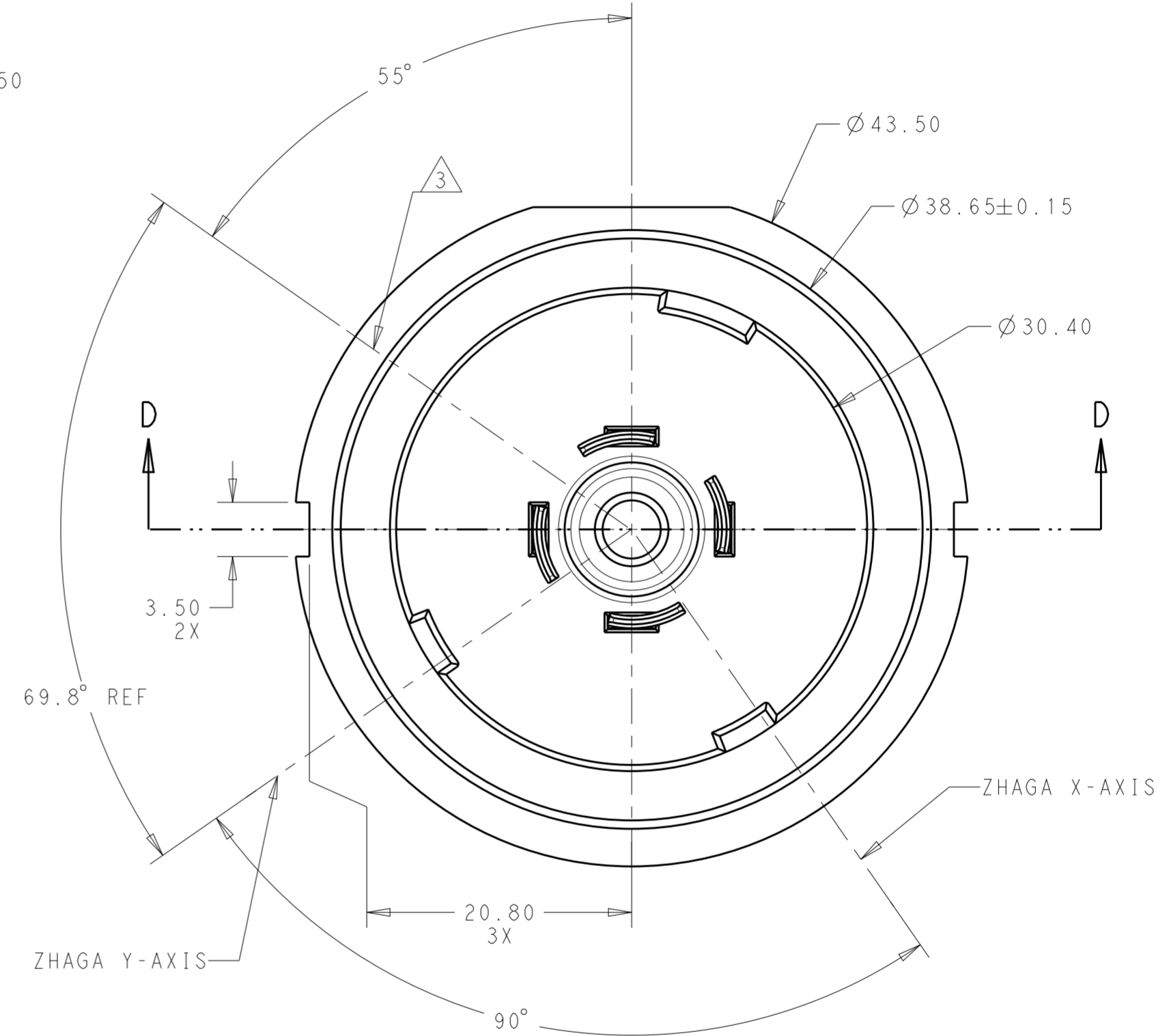
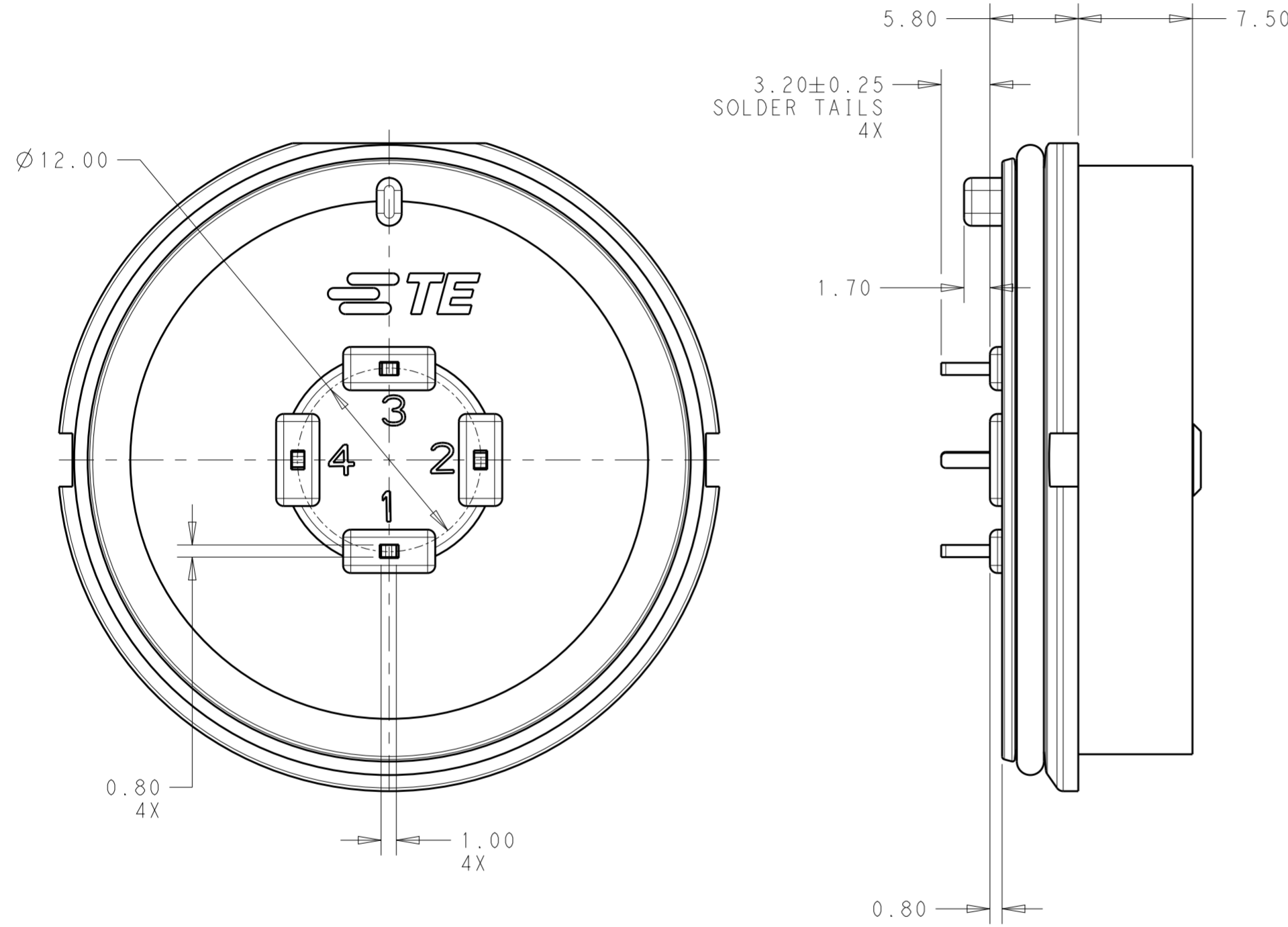


THIS DRAWING IS UNPUBLISHED. RELEASED FOR PUBLICATION 20
 © COPYRIGHT 20 BY - ALL RIGHTS RESERVED.

REVISIONS				
P	LTR	DESCRIPTION	DATE	APVD
7		REMOVE PRELIM NOTE	10AUG2017	MM MM

NOTES:

- 1 MATERIALS AND FINISH:
 -MODULE HOUSING: PBT, COLOR: GREY
 -CONTACTS: BRASS, FINISH: Sn OVER Ni
 -O-RING: SILICON RUBBER, COLOR: BLACK
- 2. MUST COMPLY WITH DIRECTIVE 2002/95/EC (ROHS)
- 3 LOCATION OF FLAT ON RECEPTACLE (TE P/N 2213858-1)
 THREAD SECTION IN FULL MATED POSITION



SECTION D-D

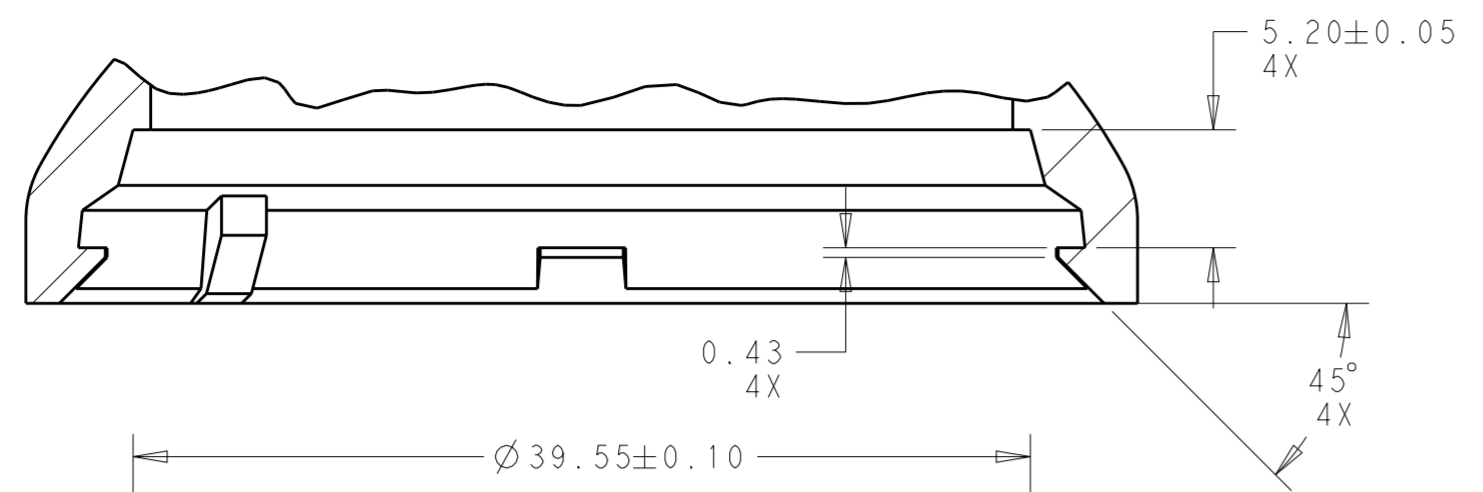
STANDARD	2213837-1
DESCRIPTION	PART NO.

THIS DRAWING IS A CONTROLLED DOCUMENT.		DWN C. DAILY 18MAY2016	STE TE Connectivity	
		CHK M. MOSTOLLER 18MAY2016		
DIMENSIONS:	TOLERANCES UNLESS OTHERWISE SPECIFIED:	APVD -	NAME MODULE BASE ASSEMBLY, LUMAWISE ENDURANCE S 40mm DIAMETER	
mm	0 PLC ± 1 PLC ±0.2 2 PLC ±0.15 3 PLC ±0 4 PLC ±0	PRODUCT SPEC 108-133073	SIZE A2	CAGE CODE -
MATERIAL	ANGLES ±1° FINISH -	APPLICATION SPEC 114-133074	DRAWING NO. G-2213837	RESTRICTED TO -
SEE NOTES	-	WEIGHT -	SCALE 3:1	SHEET 1 OF 2
		CUSTOMER DRAWING	REV 7	

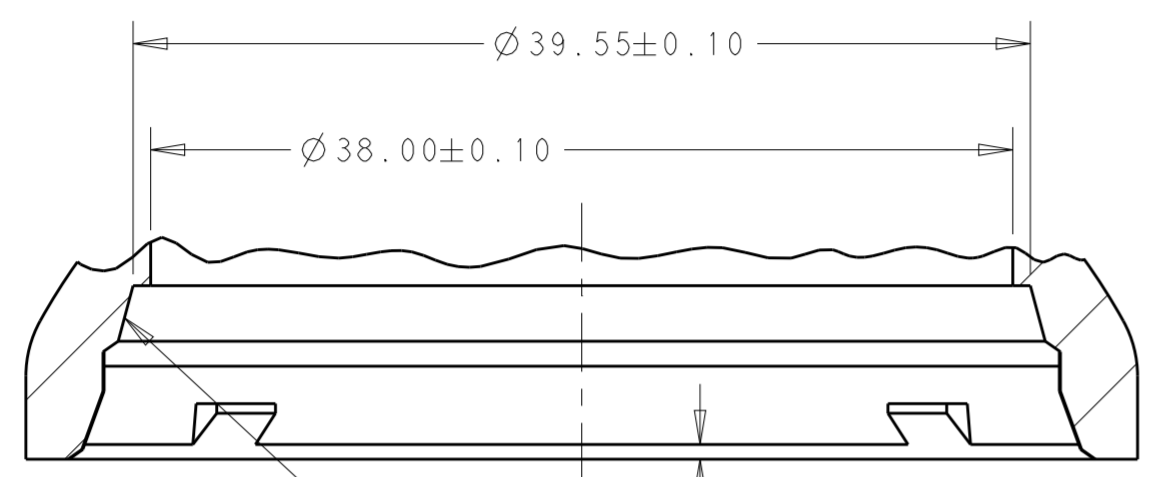
THIS DRAWING IS UNPUBLISHED. RELEASED FOR PUBLICATION 20
 © COPYRIGHT 20 BY - ALL RIGHTS RESERVED.

REVISIONS				
P	LTR	DESCRIPTION	DATE	APVD
-	-	SEE SHEET 1	-	-

LATCH DETAIL
SECTION F-F
SCALE 3:1

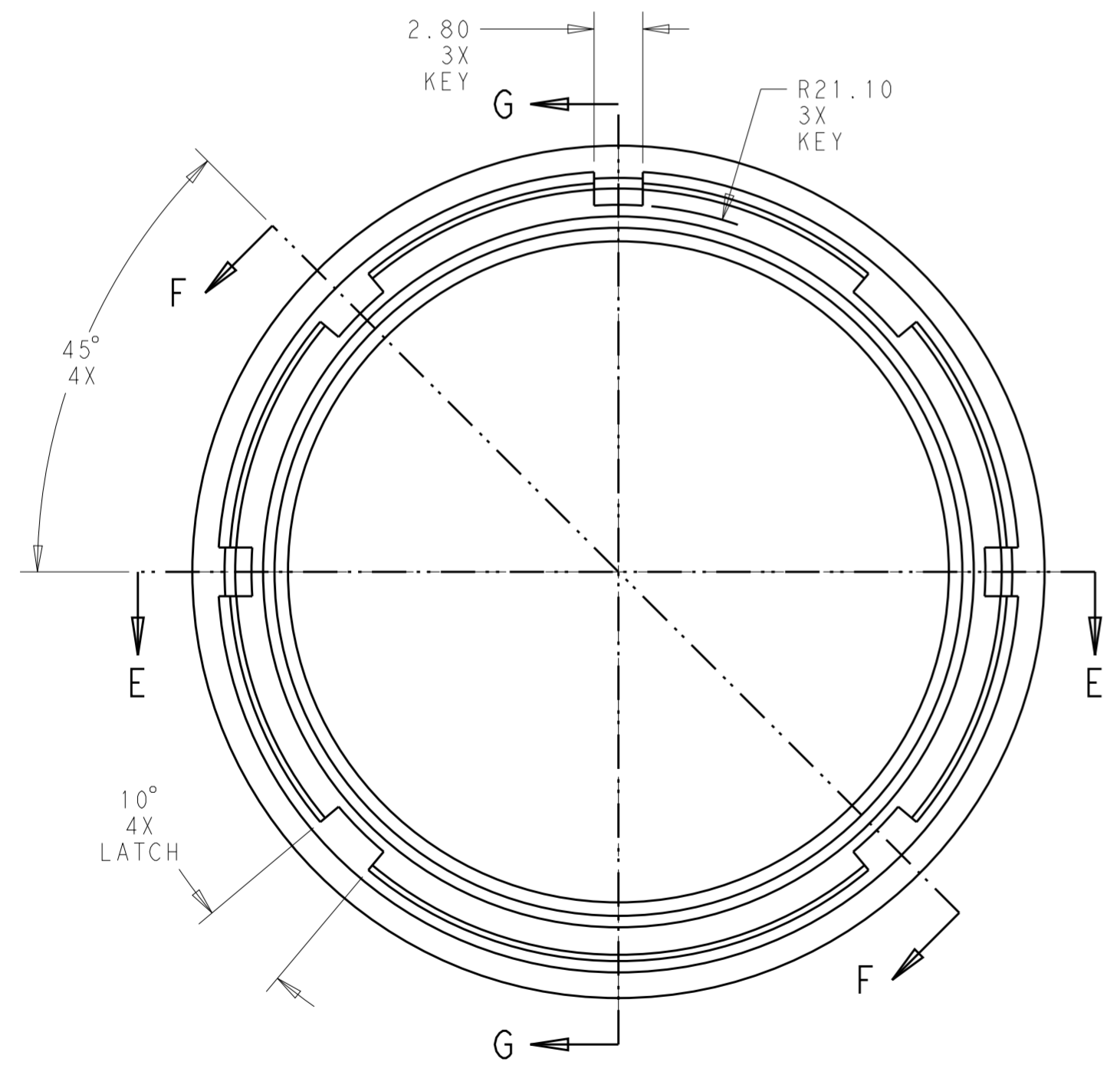
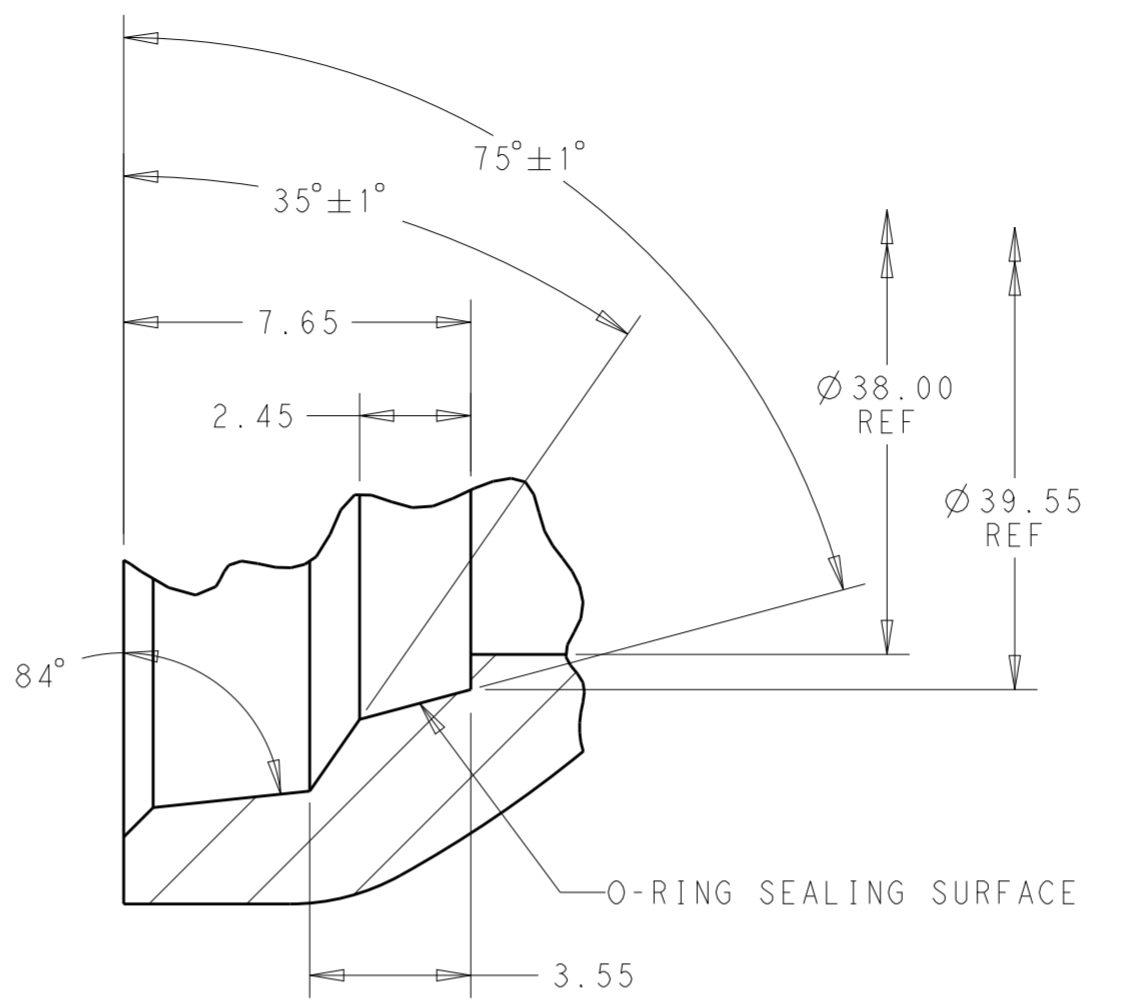


KEY DETAIL
SECTION E-E

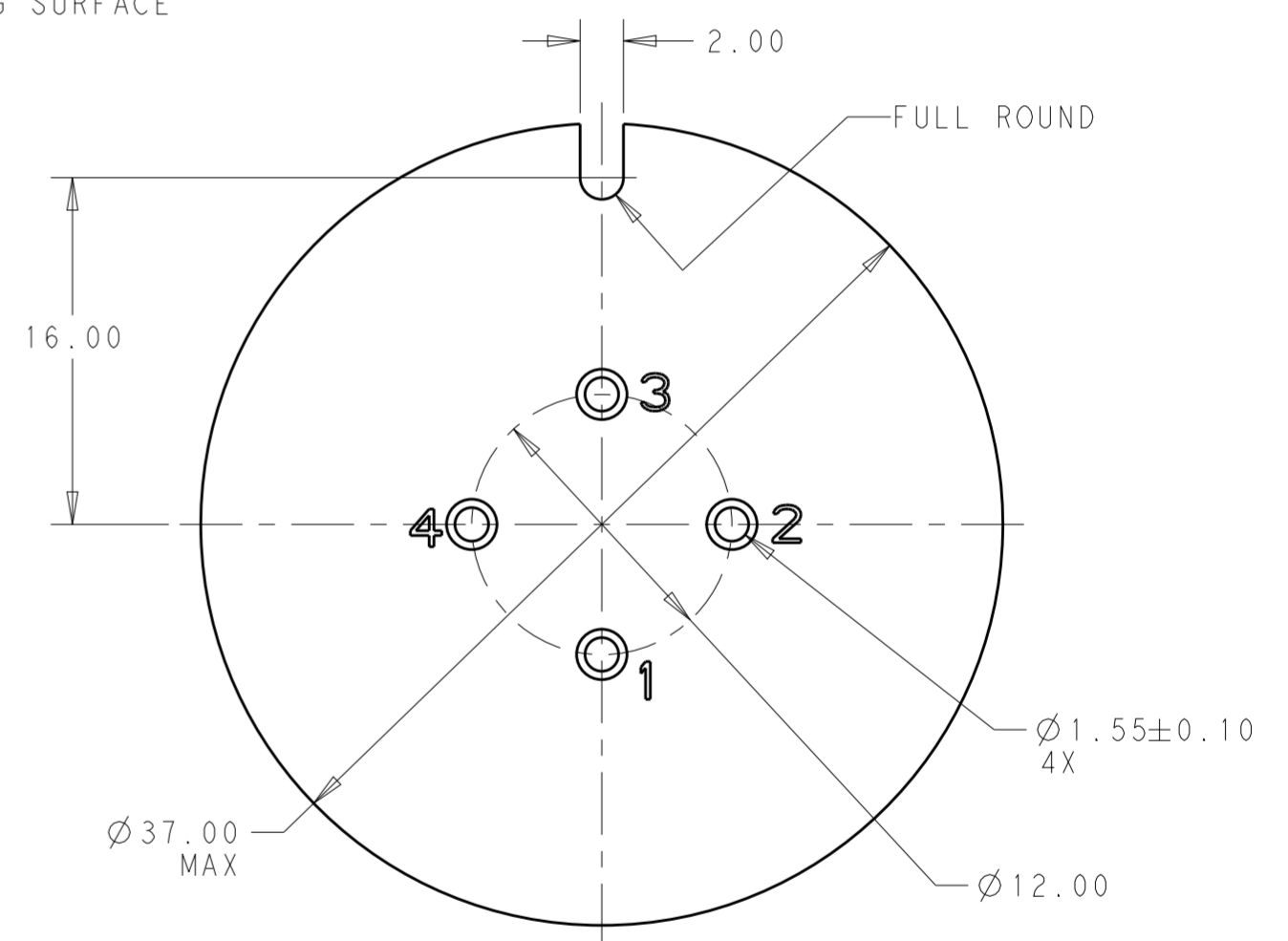


O-RING SEALING SURFACE.
MUST BE SMOOTH AND
FREE OF DEFECTS

SECTION G-G
SCALE 6:1



RECOMMENDED
CAP SEAL AND LATCH DETAIL
SCALE 3:1



PROPOSED PCB LAYOUT
SCALE 3:1

THIS DRAWING IS A CONTROLLED DOCUMENT.		DWN C. DAILY 18MAY2016	TE Connectivity	
		CHK M. MOSTOLLER 18MAY2016		
DIMENSIONS: mm		APVD -		NAME MODULE BASE ASSEMBLY, LUMAWISE ENDURANCE S 40mm DIAMETER
TOLERANCES UNLESS OTHERWISE SPECIFIED:		PRODUCT SPEC 108-133073		SIZE A2
0 PLC ±		APPLICATION SPEC 114-133074		CAGE CODE -
1 PLC ±0.2		WEIGHT -		DRAWING NO G-2213837
2 PLC ±0.15		CUSTOMER DRAWING		RESTRICTED TO -
3 PLC ±0		SCALE 3:1		SHEET 2 OF 2
4 PLC ±0		SCALE 3:1		REV 7
ANGLES ±1°				
FINISH -				
MATERIAL SEE NOTES				