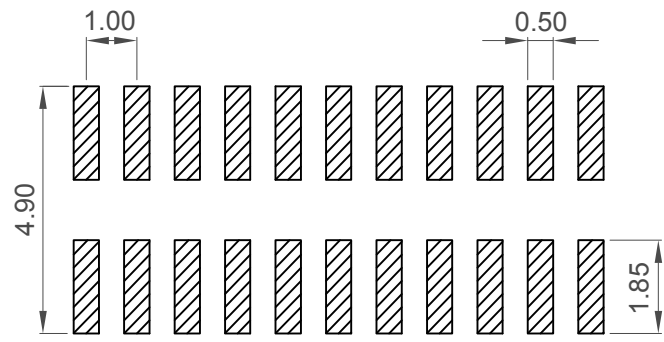
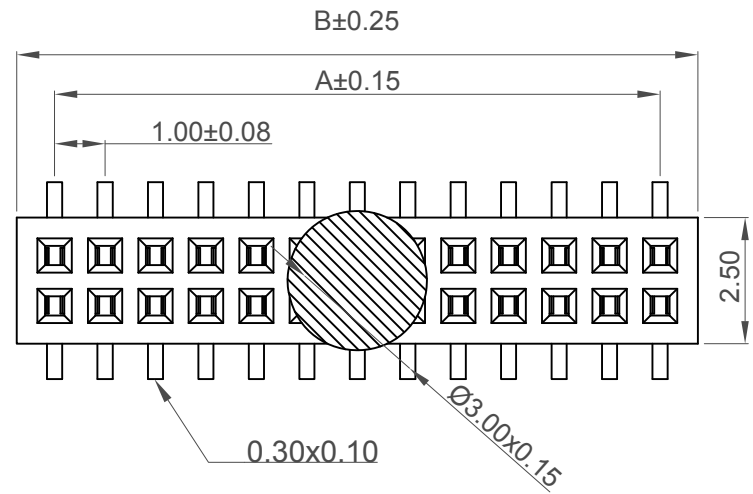


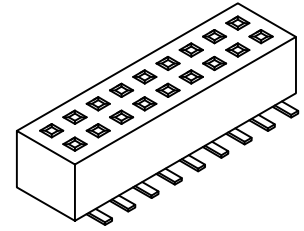
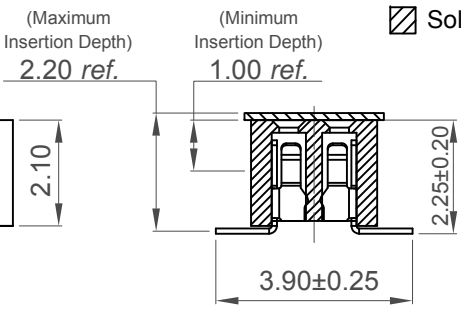
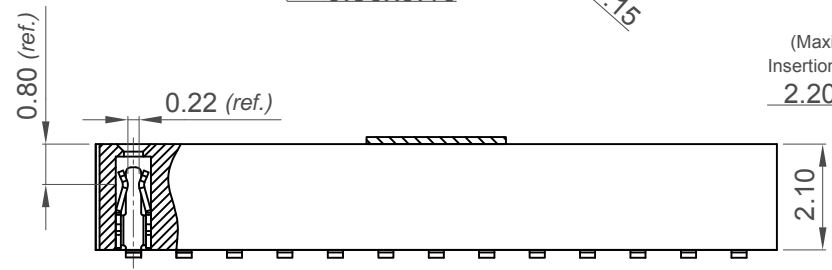
H
G
F
E
D
C
B
A



Recommended PCB Layout

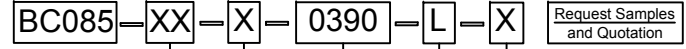
General Tolerance: ± 0.05

Solder Area



No. of Contacts	Dimensions	
	A	B
4	1.00	2.50
6	2.00	3.50
8	3.00	4.50
10	4.00	5.50
12	5.00	6.50
14	6.00	7.50
16	7.00	8.50
18	8.00	9.50
20	9.00	10.50
22	10.00	11.50
24	11.00	12.50
26	12.00	13.50
28	13.00	14.50
30	14.00	15.50
32	15.00	16.50
34	16.00	17.50
36	17.00	18.50
38	18.00	19.50
40	19.00	20.50
42	20.00	21.50
44	21.00	22.50
46	22.00	23.50
48	23.00	24.50
50	24.00	25.50
52	25.00	26.50
54	26.00	27.50
56	27.00	28.50
58	28.00	29.50
60	29.00	30.50
62	30.00	31.50
64	31.00	32.50
66	32.00	33.50
68	33.00	34.50
70	34.00	35.50
72	35.00	36.50
74	36.00	37.50
76	37.00	38.50
78	38.00	39.50
80	39.00	40.50

Ordering Grid



No. of Contacts
04 to 80

Contact Plating
A = Gold Flash All Over (Standard)
C = Tin All Over

Footprint Width (1/100mm)
0390 = 3.90mm

Request Samples and Quotation

Packing Options
C = Tape and Reel with Film (Standard)
B = Tape and Reel with Cap
D = Tube
E = Tube with Cap
F = Tube with Film
Insulator Material
L = LCP (Standard)

Specifications

Material

Insulator: LCP, UL94V-0, Black
Contact: Phosphor Bronze
Acetate: PCI

Plating

See ordering grid

Electrical

Current Rating: 1A per contact
Contact Resistance: 40 mΩ max.
Insulating Resistance: 500 MΩ min.
Dielectric Withstand Voltage: 200V AC

Mechanical & Environmental

Operating Temperature: -40°C to +105°C
Soldering Process:
IR Reflow: 260°C for 10 sec.
Manual Solder: 350°C for 3-5 sec

Mates with (subject to pin length):

BC035 BC036 BC040 BC045
BC050 BC055 BC057

Part Number		Product Description	
BC085		1.00mm Pitch Socket	
Drawing Date		Dual Row, Surface Mount, Vertical	
20th May 2008			
By	CC	Tolerances (Except as Noted)	Units:
Detail	BC085 F PCN	Length X. ± 0.30 X.X ± 0.25 X.XX ± 0.15 X.XXX ± 0.10	Metric (mm)
Revision	F2	Angle X.X° ± 5° X.XX° ± 2° X.XXX° ± 1° X.XXX° ± 0.5°	
Date	03/11/17		



This drawing is confidential and copyright of Global Connector Technology Ltd (GCT). This drawing must not be copied or disclosed without written consent. E & OE



www.gct.co

Not to Scale	Drawn By AJO	Sheet No. 1/1
--------------	--------------	---------------