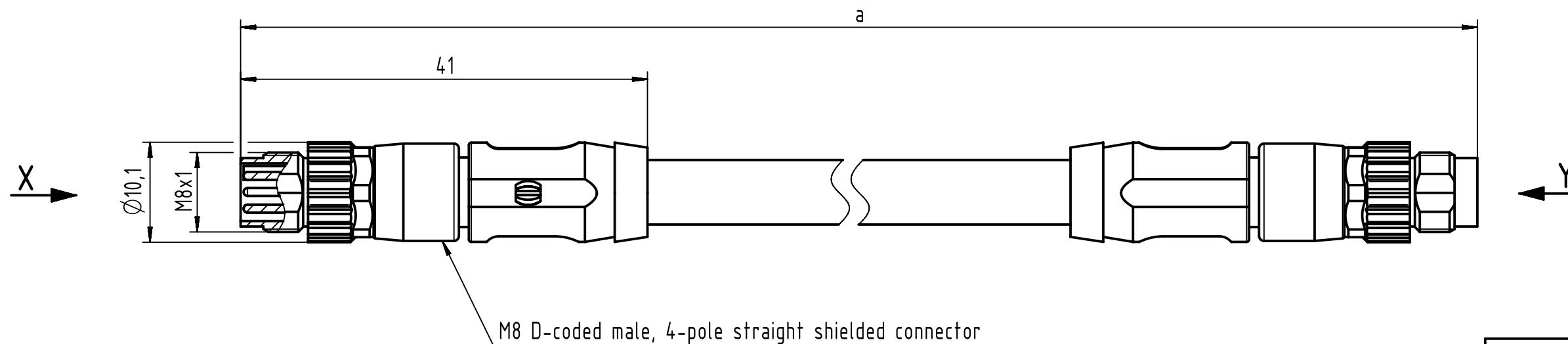


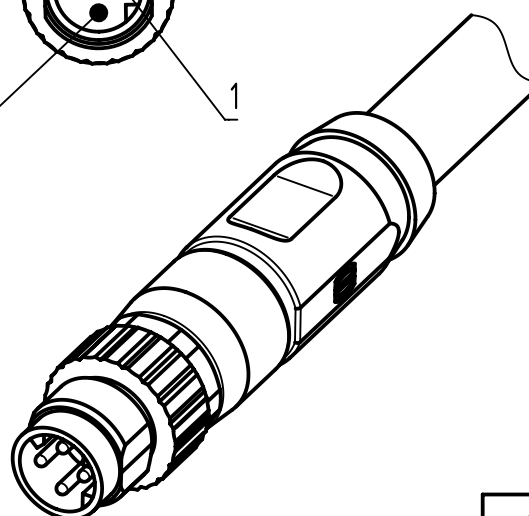
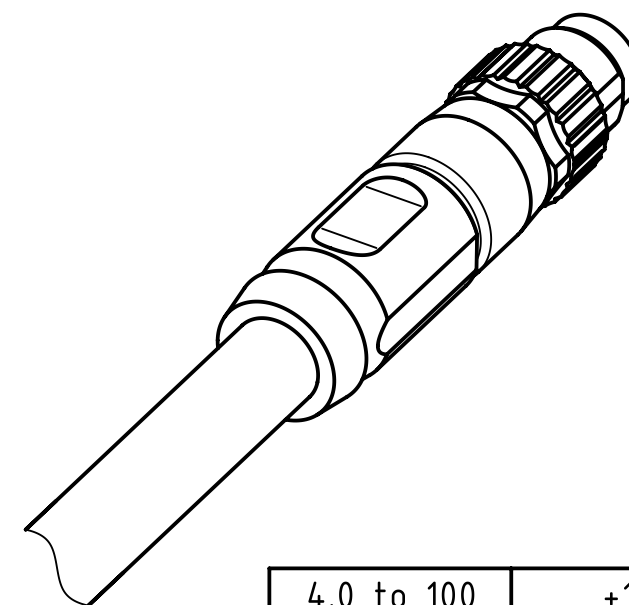
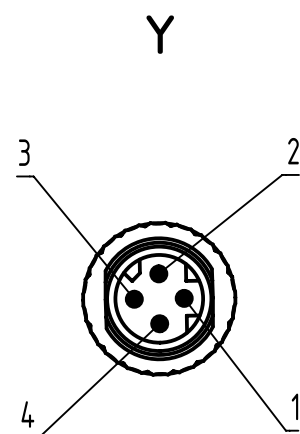
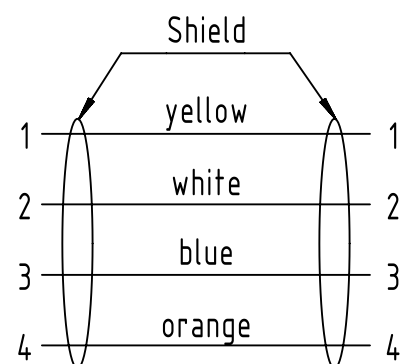
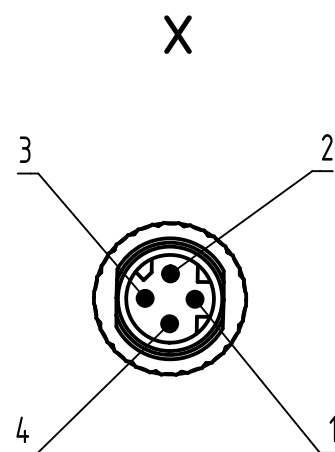
Connector Location A

Connector Location B



M8 D-coded male, 4-pole straight shielded connector

Loading-Plan:



length in "1m" step	100	XXX=000
	99	XXX=990
	.	.
	12	XXX=120
	11	XXX=110
length in "0.1m" step	10	XXX=100
	9.9	XXX=099
	9.8	XXX=098
	.	.
	0.4	XXX=004
	0.3	XXX=003
	0.2	XXX=002
0.1	XXX=001	
Step	a [m]	XXX

4.0 to 100	+1%
0.1 to 3.9	+0.04
a [m]	Tolerance

Part no.	2134C7C74XXXXX
----------	----------------

Type of cable	XX
PVC, green, 4xAWG22/7	XX=05
PUR, green, 2x2xAWG22/7	XX=77

- Protection level: IP 67
 - Temperature range: -30°C ... +80°C

All rights reserved Department HCS - RO HARTING Customised Solutions D-32427 Minden	All Dimensions in mm Tech. Character. Free size tol. According to production drawing 2017-01-19	Created by MUNTEANV	Inspected by POPESCU	Standardisation AVRAM	Date 2017-01-20	State Final Release	Doc-Key / ECM-Nr. 100705830/UGD/000/A 500000114292
	Title M8 D-coded Cable Assembly	Type TB	Number 2134C7C74XXXXX	Rev. A	Page 1/1		