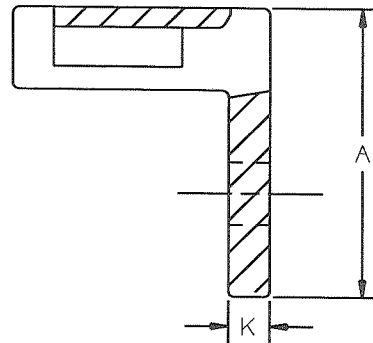
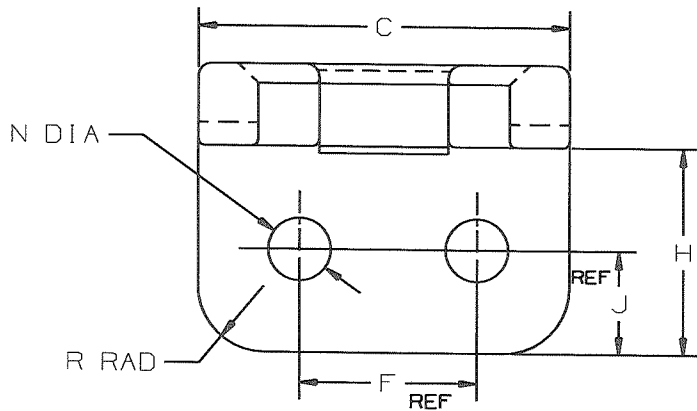
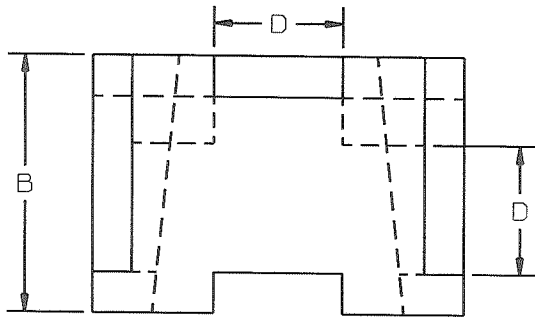


THIS COPY IS PROVIDED ON A RESTRICTED BASIS AND IS NOT TO BE USED IN ANY WAY DETRIMENTAL TO THE INTERESTS OF PANDUIT CORP.

PANDUIT PART NUMBER*	A ±0.030	B ±0.030	C ±0.030	D MIN.	F REF	H ±0.015	J REF	K ±0.015	N DIA. REF	MTG. RIVET	MTG. SCR.	R REF	X REF.	WEIGHT lbs/100 pcs (g/100 pcs)	USE WITH ANY OF THESE CABLE TIE CROSS-SECTIONS
RAMH-S6									0.125	1/8	#6			0.79 (20.07)	MINIATURE INTERMEDIATE STANDARD HEAVY
RAMH-S10	1.00	0.750	1.00	0.315	0.500	0.750	0.350	0.180	0.200	3/16	#10	0.250	0.400		
RAMS-S3	0.437	0.390	0.562	0.195	0.281	0.312	0.156	0.062	0.095	3/32	#3	0.125	0.156	0.09 (2.29)	MINIATURE INTERMEDIATE STANDARD



NOTES:

- *1. SEE CURRENT PRICE SHEET FOR PART NUMBER SUFFIX DESIGNATION FOR PACKAGE SIZE.

DIMENSIONS IN BRACKETS ARE METRIC [mm]

CAD FILENAME/LAYERS G00239DG_PB_RAMH_RAM_S_04

PANDUIT CORP. TINLEY PARK, ILLINOIS

RAMH- & RAMS-
RIGHT ANGLE MOUNT

UNLESS OTHERWISE SPECIFIED,
DIMENSIONAL TOLERANCES ARE:
(.X) ±0.05 (1.3) (.XXX) ±0.010 (0.25)
(.XX) ±0.02 (0.5) ANGLES ± 5°

UNLESS OTHERWISE SPECIFIED,
ALL DIMENSIONS ARE GIVEN
IN INCHES, THIRD ANGLE PROJECTION.

DRAWN BY CJG

MAT'L:

SCALE 1.5:1

DATE 5/22/96

NYLON 6/6

DRAWING NO.

GB0239DG

DRG

A
SIZE

REV	DATE	BY	CHK	DESCRIPTION	ECN	R	CUST	SUP
4	4-14-08	TMSA	RP	REVISED TABLE FOR RIVET AND SCREW SIZE CORRECTION.	GB0239DG	4	KLN	
3	5/1/02	LGG		CORRECTED "N" DIM FOR RAMH-S6 & S10 DIMS WERE REVERSED. ADDED REF TO DIM "N" CHG DIM FROM .135/115 TO .125. .205/.195 TO .200 .100/.090 TO .085. DELETED REF FROM VIEWS.	GB0239DG	3		