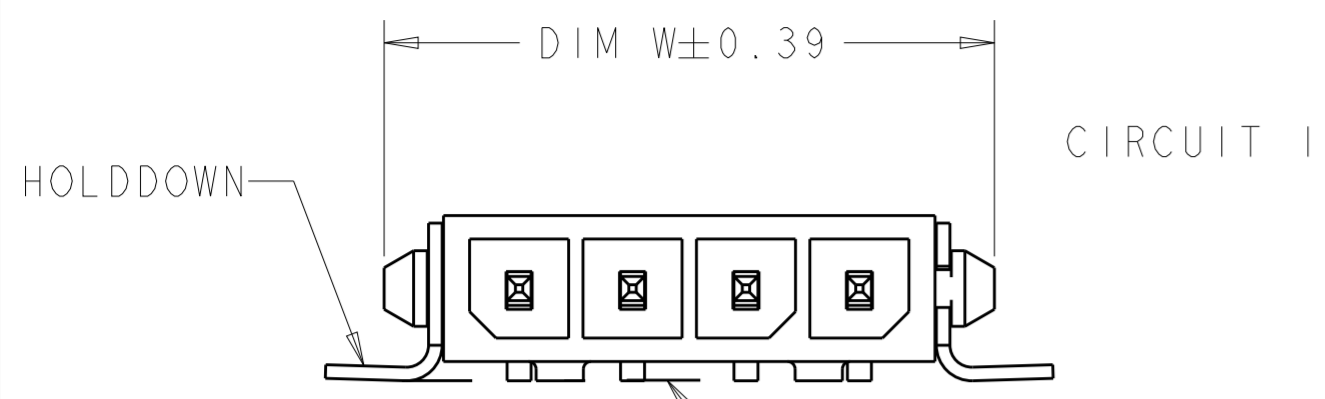
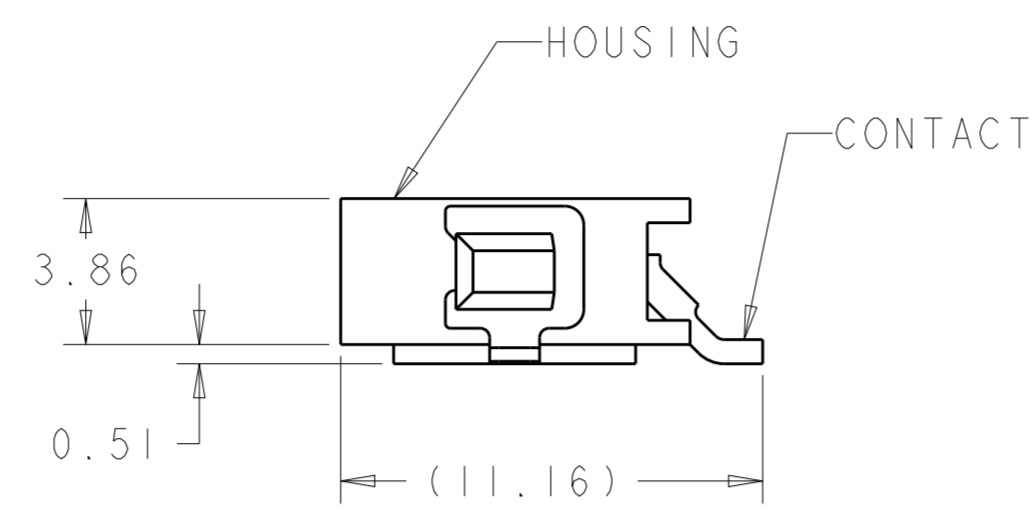


THIS DRAWING IS UNPUBLISHED. RELEASED FOR PUBLICATION 20
 © COPYRIGHT 20 ALL RIGHTS RESERVED.

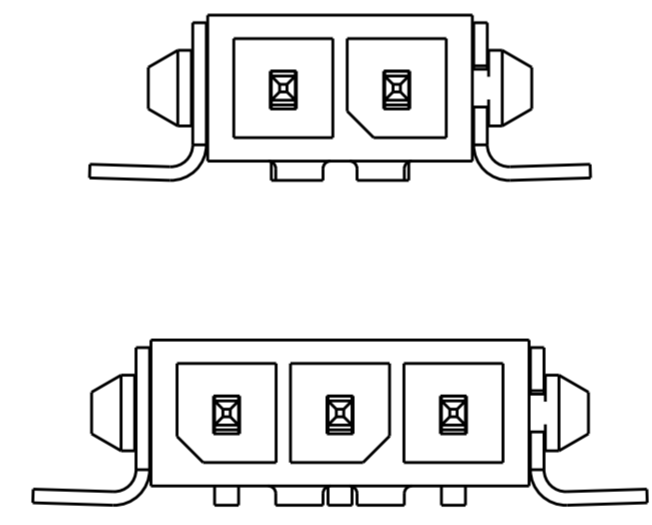
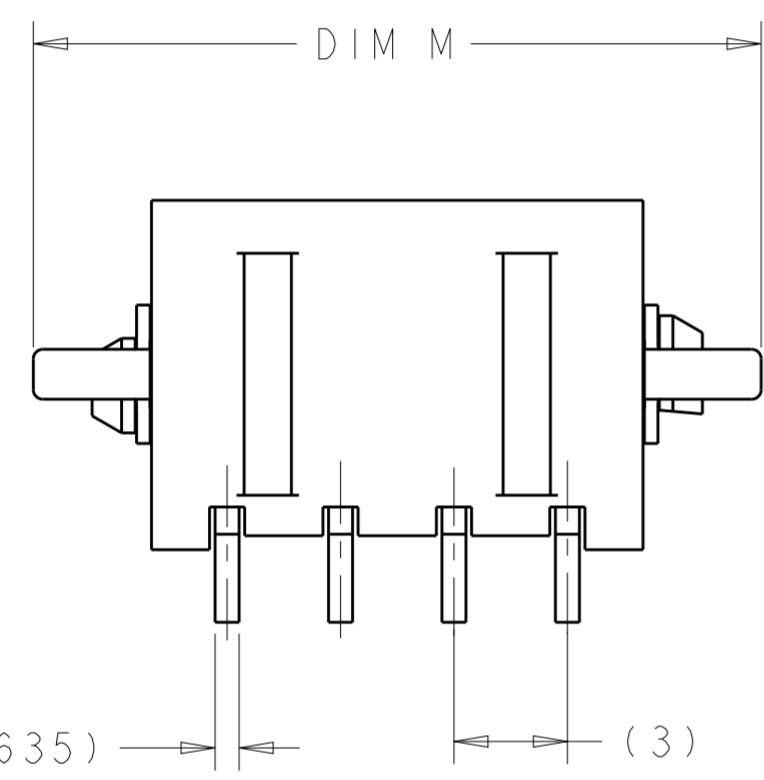
LOC	DIST	REVISIONS					
CM	00	P	LTR	DESCRIPTION	DATE	DWN	APVD
		A1		REVISED PER ECO-11-005027	07MAY2011	RK	HMR
		A2		REVISED PER ECO-17-007352	10MAY2017	CX	DZ
		A3		REVISED PER ECR-17-012975	05SEP2017	JB	DZ



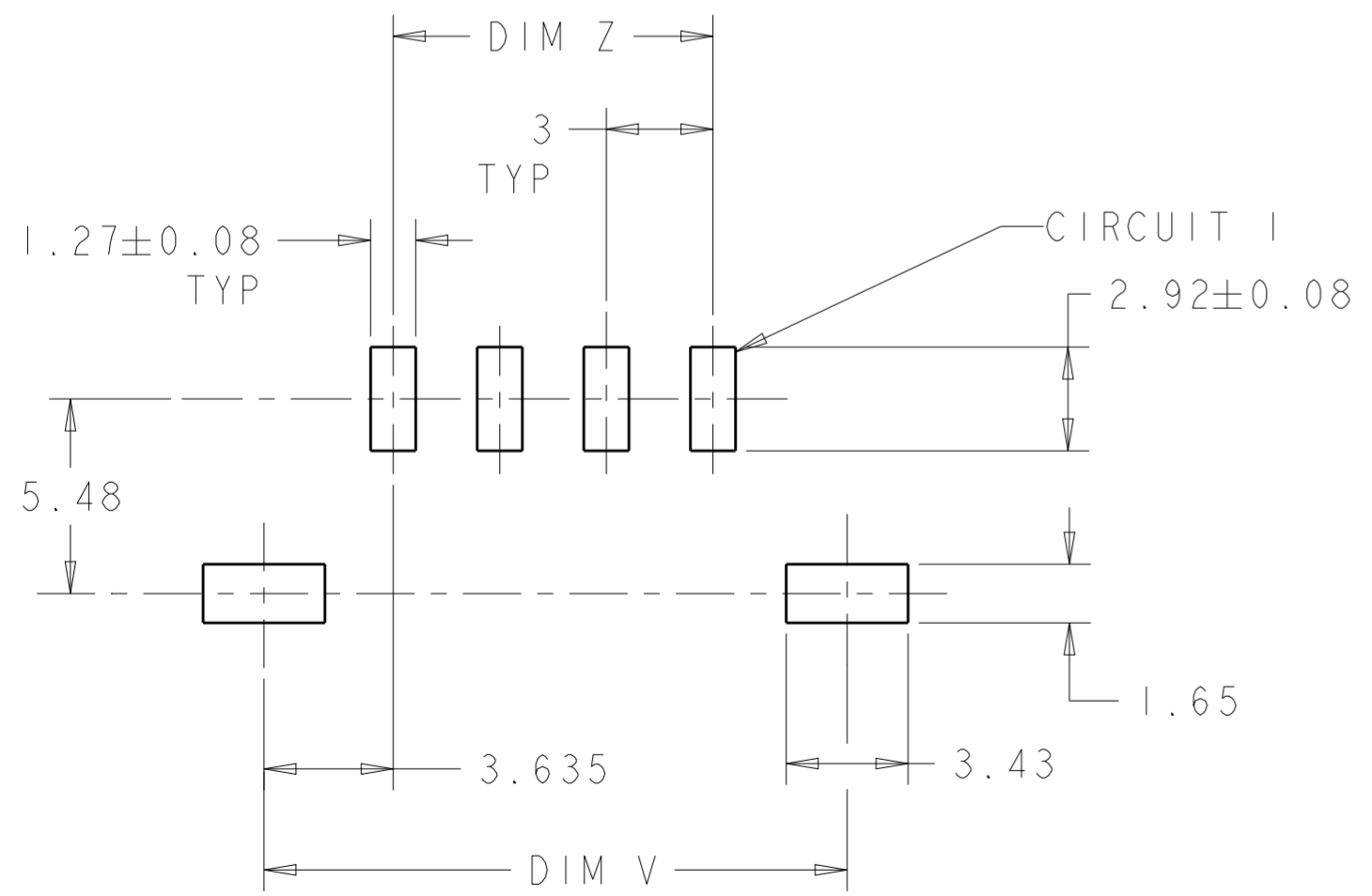
0.15
 INCLUDES CONTACT TAILS, HOUSING STANDOFFS, AND BOARDLOCKS



- 1 MATERIAL: CONTACTS - BRASS
 HOUSING - UL 94V-0 RATED HIGH TEMP NYLON, COLOR BLACK.
 HOLDDOWNS - PHOSPHOR BRONZE.
- 2 PLATING: CONTACTS - 2.54µm MINIMUM TIN OVER 1.27µm MINIMUM NICKEL. LEAD FREE PLATING.
 HOLDDOWNS - 2.54µm MINIMUM TIN OVER 1.27µm MINIMUM NICKEL. LEAD FREE PLATING.
- 3 RECOMMENDED PC BOARD THICKNESS OF 1.57.
- 4 PLATING: CONTACTS - 2.54µm MINIMUM TIN OVER 1.27µm MINIMUM NICKEL. LEAD FREE PLATING.
 0.762µm MINIMUM GOLD ON MATING END.
 HOLDDOWNS - 2.54µm MINIMUM TIN OVER 1.27µm MINIMUM NICKEL. LEAD FREE PLATING.
- 5 PRELIMINARY DRAWING NOT RELEASED FOR PRODUCTION.



KEYING BY POSITION SIZE



PCB LAYOUT COMPONENT SIDE 3

5	4	13.25	3	10	10.41	2	2-2029030-2
	4	13.25	3	10	10.41	2	1-2029030-2
	2	19.25	9	16	16.41	4	2029030-4
	2	16.25	6	13	13.41	3	2029030-3
	2	13.25	3	10	10.41	2	2029030-2
	FINISH	DIM M	DIM Z	DIM W	DIM V	NO. OF POSN	PART NUMBER

THIS DRAWING IS A CONTROLLED DOCUMENT.

DIMENSIONS: mm	TOLERANCES UNLESS OTHERWISE SPECIFIED:	DWN K. WHITAKER 27NOV2007	TE Connectivity NAME RT ANG SURF MNT HDR ASSY, SGL LATCH, TIN POSTS, SURF MOUNT HOLDDOWNS, SINGLE ROW, MICRO MATE-N-LOK(TM)
		CHK C. JONES 27NOV2007	
		APVD C. JONES 27NOV2007	
		PRODUCT SPEC	
MATERIAL		APPLICATION SPEC	SIZE A2
		WEIGHT	CAGE CODE C-2029030
		CUSTOMER DRAWING	SCALE 5:1
			SHEET 1 OF 1
			REV A3