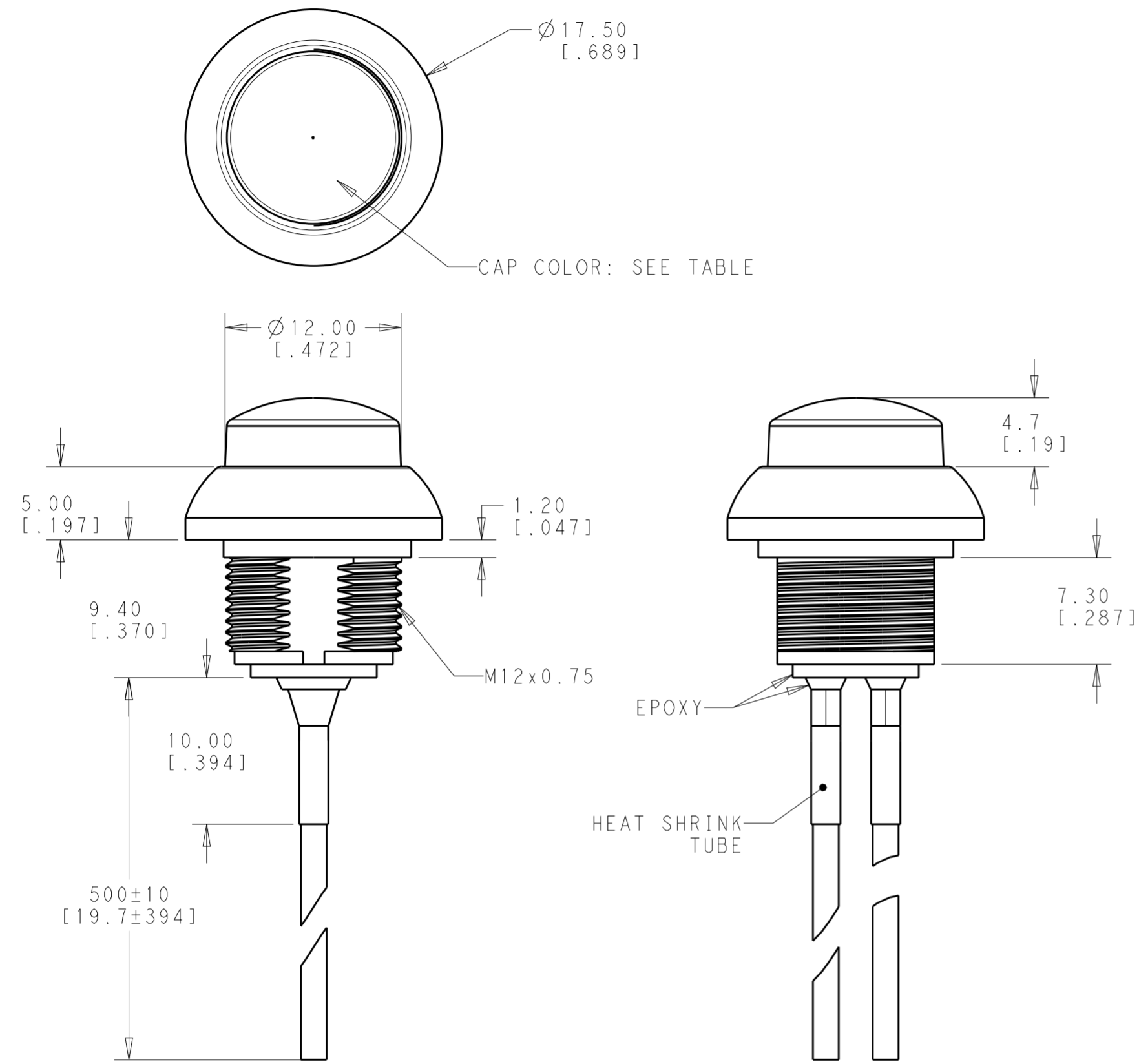


THIS DRAWING IS UNPUBLISHED. RELEASED FOR PUBLICATION
 © COPYRIGHT copyright.d8te- ALL RIGHTS RESERVED.

FLYING LEADS OFF-(ON)

REVISIONS				
P	LTR	DESCRIPTION	DATE	APVD
2		REVISE TOLERANCE	18APR2018	JS AS



Model No.	POS. 1	POS. 2
PB6	OFF	MOM(ON)
CONNECTED TERMINALS	OPEN	CLOSE
SCHEMATIC		

SWITCH FUNCTION

SPECIFICATIONS:

MAXIMUM CURRENT/VOLTAGE RATING WITH RESISTIVE LOAD:
400mA 32VAC, 200mA 50VDC, 125mA 125VAC

INITIAL CONTACT RESISTANCE: 100mΩ MAXIMUM, RESISTANCE OF THE WIRE NOT INCLUDED.

INSULATION RESISTANCE: 1 GΩ MINIMUM AT 500 VDC
DIELECTRIC STRENGTH: 1,500 VAC RMS

CONTACT BOUNCE: 10ms
ELECTRICAL LIFE AT FULL LOAD: 500,000 CYCLES

MECHANICAL LIFE: 1,000,000 CYCLES

TOTAL TRAVEL: 1.5 (.059)

ACTUATION FORCE: 3 TO 6N

OPERATING TEMPERATURE: -30° TO 85° C

DEGREE OF PROTECTION: IP68, 1 HOUR @ 1 METER

TORQUE: 0.5N·m MAXIMUM APPLIED TO NUT

MATERIALS:

CAP: POLYAMIDE 6/6
 PLUNGER: POLYAMIDE 6/6 OR POLYCARBONATE
 RUBBER: SILICONE
 BUSHING: POLYAMIDE 6/6
 CASE: DIALLYL PHTHALATE (DAP) (UL94 V-0)
 TERMINALS/CONTACTS: COPPER ALLOY, GOLD OVER SILVER PLATED
 HEX NUT: BRASS, NICKEL PLATED (1)
 LOCK WASHER: BRASS, NICKEL PLATED (1)
 O-RING: SILICONE (1)
 WIRE: UL 3385, 20 AWG, SECTION 0.6mm²
 SPRING: STEEL
 HEAT SHRINK TUBE: POLYOLEFIN

PACKAGING:

SWITCHES ARE BUNDLED. HARDWARE IS NOT ASSEMBLED TO THE SWITCH.

COMPLIANCE:

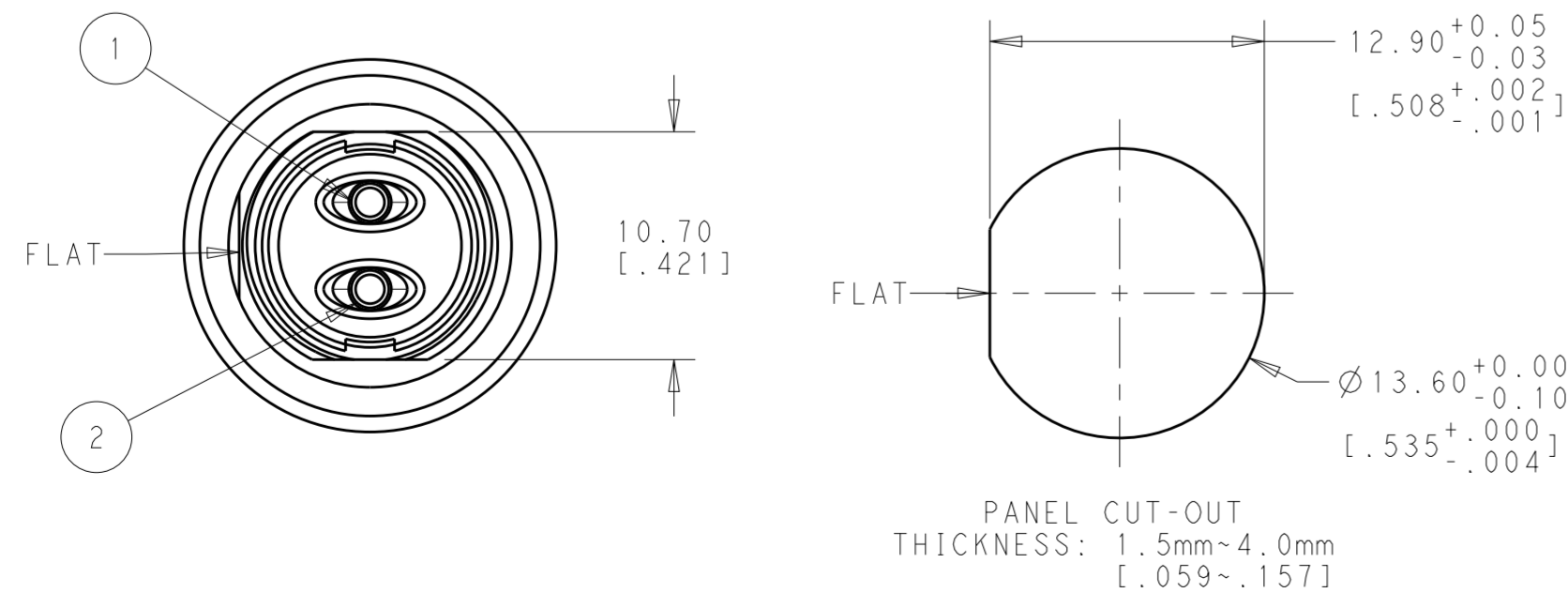
ALL MATERIALS AND FINISHES SHALL COMPLY WITH EU DIRECTIVE 2002/95/EC OF 27JAN2003(RoHS)

SOLDER PROCESSING:

MANUAL SOLDERING: SOLDER IRON, 30 WATTS, CONTROLLED AT 350° C, APPROXIMATELY 5 SECONDS WHILE APPLYING SOLDER.

1. HARDWARE IS SHIPPED UNASSEMBLED.

NO.	DESCRIPTION	WIRE COLOR
2	TERMINAL 2	BLACK
1	TERMINAL 1	BLACK



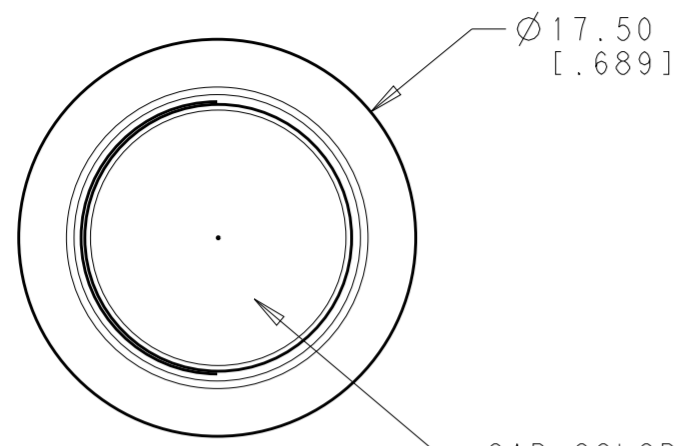
PANEL CUT-OUT
THICKNESS: 1.5mm~4.0mm
[.059~.157]

THIS DRAWING IS A CONTROLLED DOCUMENT.		DWN: RAWLS 22FEB2018	STE TE Connectivity
DIMENSIONS: mm [INCHES]		CHK: ALEXANDER SHARPE 22FEB2018	
TOLERANCES UNLESS OTHERWISE SPECIFIED:		APVD: ALEXANDER SHARPE 22FEB2018	
0 PLC ± 1 PLC ±0.4 [.016] 2 PLC ±0.25 [.010] 3 PLC ± 4 PLC ±		NAME: ALEXANDER SHARPE	
MATERIAL: -		PRODUCT SPEC: -	APPLICATION SPEC: -
FINISH: -		WEIGHT: -	RESTRICTED TO: -
CUSTOMER DRAWING		SIZE: A2	CAGE CODE: 00779
SCALE: 3:2		DRAWING NO: C-2329359	SHEET 1 OF 3
			REV 2

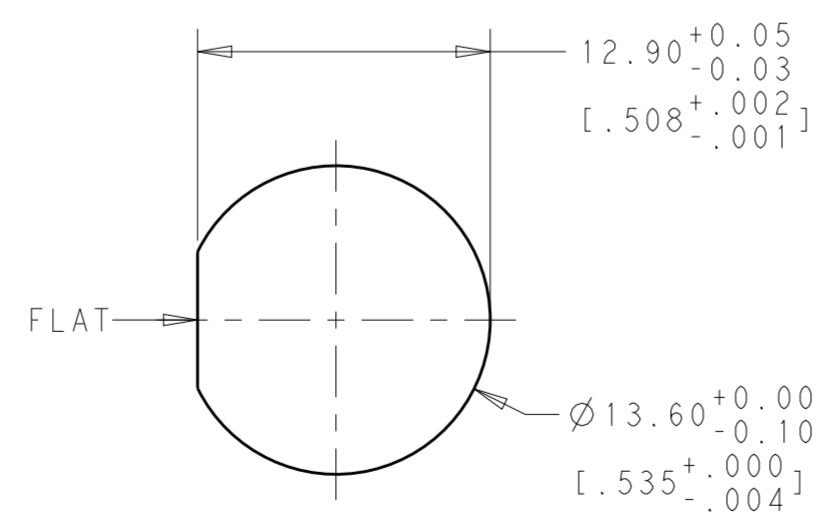
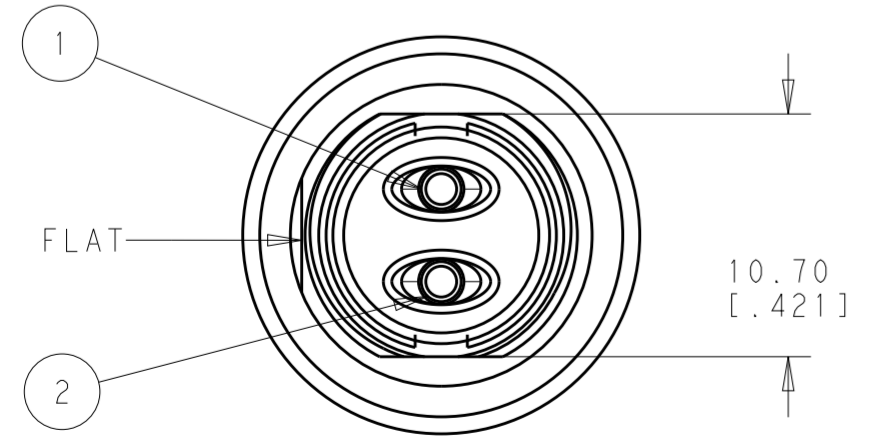
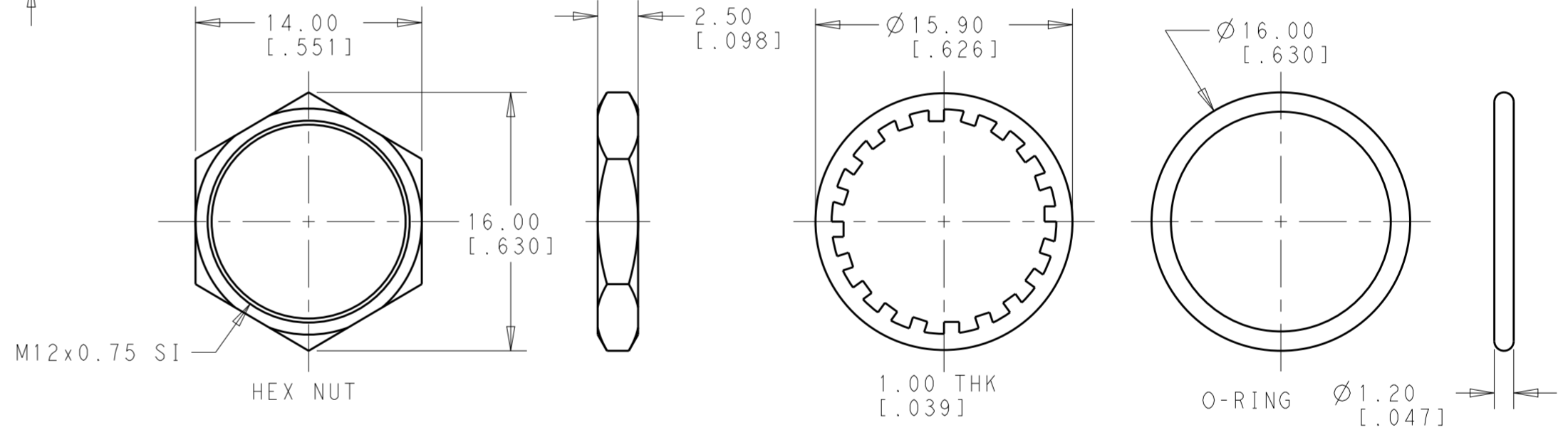
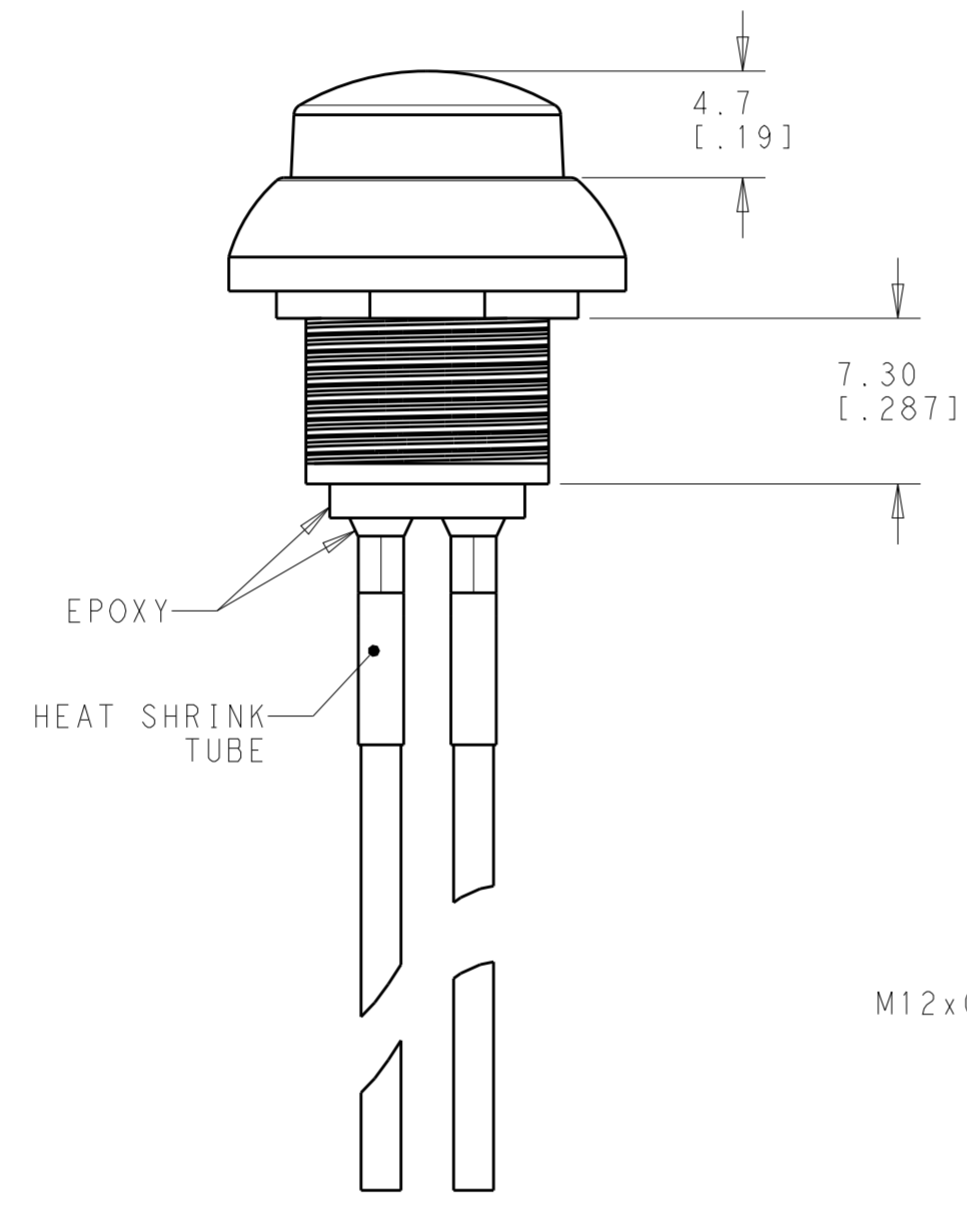
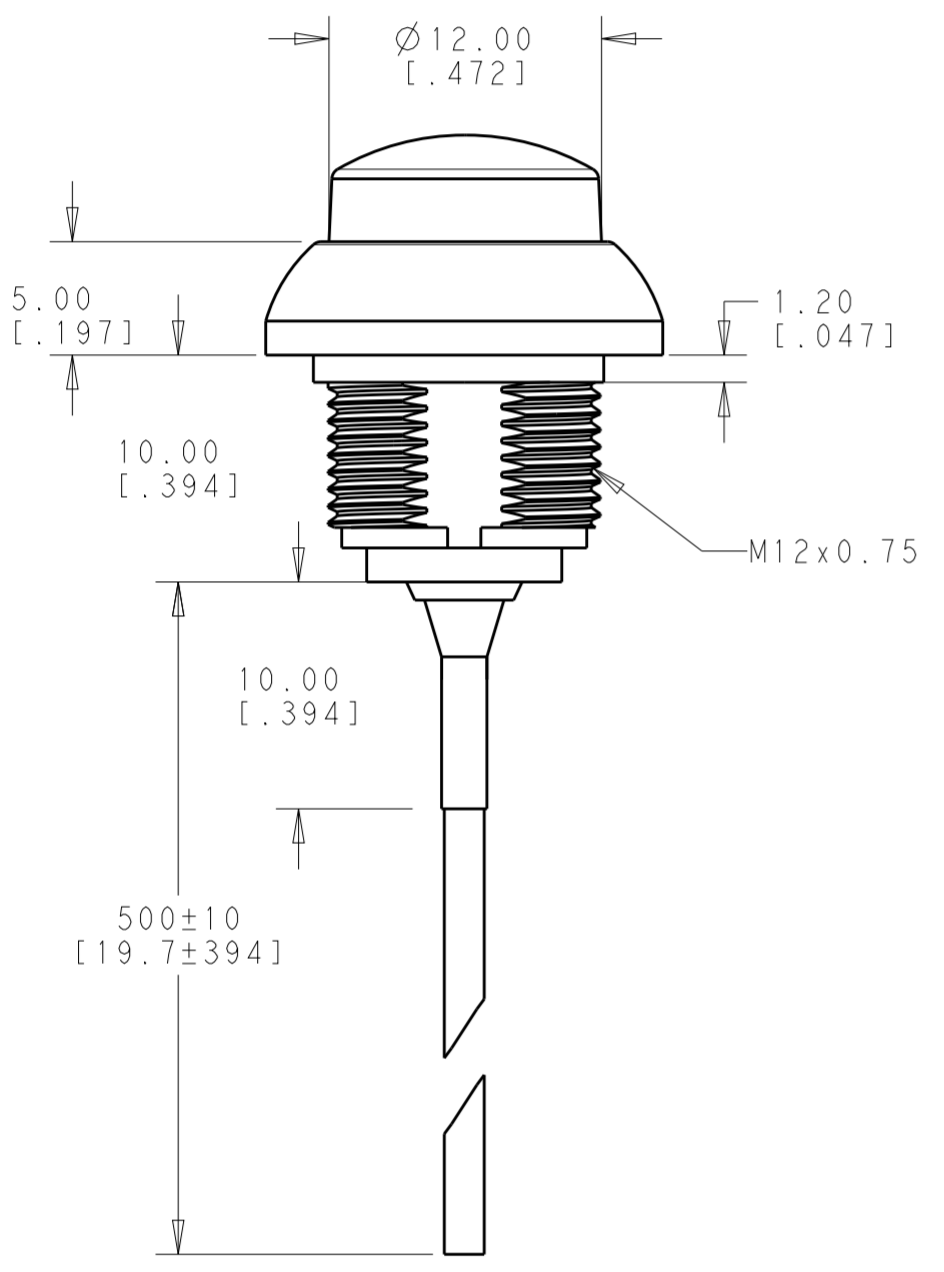
THIS DRAWING IS UNPUBLISHED. RELEASED FOR PUBLICATION
 © COPYRIGHT copyright.d8te- ALL RIGHTS RESERVED.

FLYING LEADS ON-(OFF)

REVISIONS				
P	LTR	DESCRIPTION	DATE	APVD
-	-	SEE SHEET 1	-	-



CAP COLOR: SEE TABLE



PANEL CUT-OUT
THICKNESS: 1.5mm~4.0mm
[.059~.157]

Model No.	POS. 1	POS. 2
PB7	ON	MOM(OFF)
CONNECTED TERMINALS	CLOSE	OPEN
SCHEMATIC		

SWITCH FUNCTION

NO.	DESCRIPTION	WIRE COLOR
2	TERMINAL 2	BLACK
1	TERMINAL 1	BLACK

THIS DRAWING IS A CONTROLLED DOCUMENT.

DWN: RAVLS 22FEB2018
 CHK: ALEXANDER SHARPE 22FEB2018
 APVD: ALEXANDER SHARPE 22FEB2018

STE TE Connectivity

NAME: SWITCH, PUSHBUTTON, HIGH CAP NO LED, FLYING LEADS WITH HEAT SHRINK, SEALED, OFF-(ON) AND ON-(OFF)

SIZE: A2 CAGE CODE: 200779 DRAWING NO: C-2329359

MATERIAL: - DIMENSIONS: mm [INCHES] TOLERANCES UNLESS OTHERWISE SPECIFIED: 0 PLC ±, 1 PLC ±0.4 [0.016], 2 PLC ±0.25 [0.010], 3 PLC ±, 4 PLC ±, ANGLES ±5°, FINISH: -

APPLICAITON SPEC: - WEIGHT: -


CUSTOMER DRAWING SCALE: 3:2 SHEET: 2 OF 3 REV: 2

THIS DRAWING IS UNPUBLISHED. RELEASED FOR PUBLICATION
 © COPYRIGHT copyright.d8te ALL RIGHTS RESERVED.

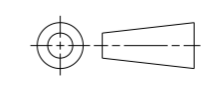
REVISIONS				
P	LTR	DESCRIPTION	DATE	APVD
-		SEE SHEET 1	-	-

POLE	THROW	TERMINAL TYPE	CAP TYPE & COLOR	LED COLOR	TE DESCRIPTIVE PART NUMBER	PART NUMBER
SINGLE POLE	ON-(OFF) MOMENTARY	FLYING LEADS WITH HEAT SHRINK TUBE	HIGH, SHINY BLUE	N/A	PB7B2HS7M1CAL00Y500	1-2329359-0
			HIGH, SHINY GREEN	N/A	PB7B2HS6M1CAL00Y500	2329359-9
			HIGH, SHINY YELLOW	N/A	PB7B2HS5M1CAL00Y500	2329359-8
			HIGH, SHINY RED	N/A	PB7B2HS3M1CAL00Y500	2329359-7
			HIGH, SHINY BLACK	N/A	PB7B2HS2M1CAL00Y500	2329359-6
	OFF-(ON) MOMENTARY		HIGH, SHINY BLUE	N/A	PB6B2HS7M1CAL00Y500	2329359-5
			HIGH, SHINY GREEN	N/A	PB6B2HS6M1CAL00Y500	2329359-4
			HIGH, SHINY YELLOW	N/A	PB6B2HS5M1CAL00Y500	2329359-3
			HIGH, SHINY RED	N/A	PB6B2HS3M1CAL00Y500	2329359-2
			HIGH, SHINY BLACK	N/A	PB6B2HS2M1CAL00Y500	2329359-1

THIS DRAWING IS A CONTROLLED DOCUMENT.

DWN RAVLS 22FEB2018	 TE Connectivity NAME: SWITCH, PUSHBUTTON, HIGH CAP NO LED, FLYING LEADS WITH HEAT SHRINK, SEALED, OFF-(ON) AND ON-(OFF) SIZE: A200779 C-2329359 DRAWING NO: 2329359-2
CHK ALEXANDER SHARPE 22FEB2018	
APVD ALEXANDER SHARPE 22FEB2018	
PRODUCT SPEC -	
MATERIAL -	APPLICATION SPEC -
WEIGHT -	RESTRICTED TO -
CUSTOMER DRAWING	

SCALE 3:2 SHEET 3 OF 3 REV 2

DIMENSIONS: mm [INCHES]	TOLERANCES UNLESS OTHERWISE SPECIFIED:
	0 PLC ± 1 PLC ±0.4 [0.016] 2 PLC ±0.25 [0.010] 3 PLC ± 4 PLC ±
FINISH	ANGLES ±5°