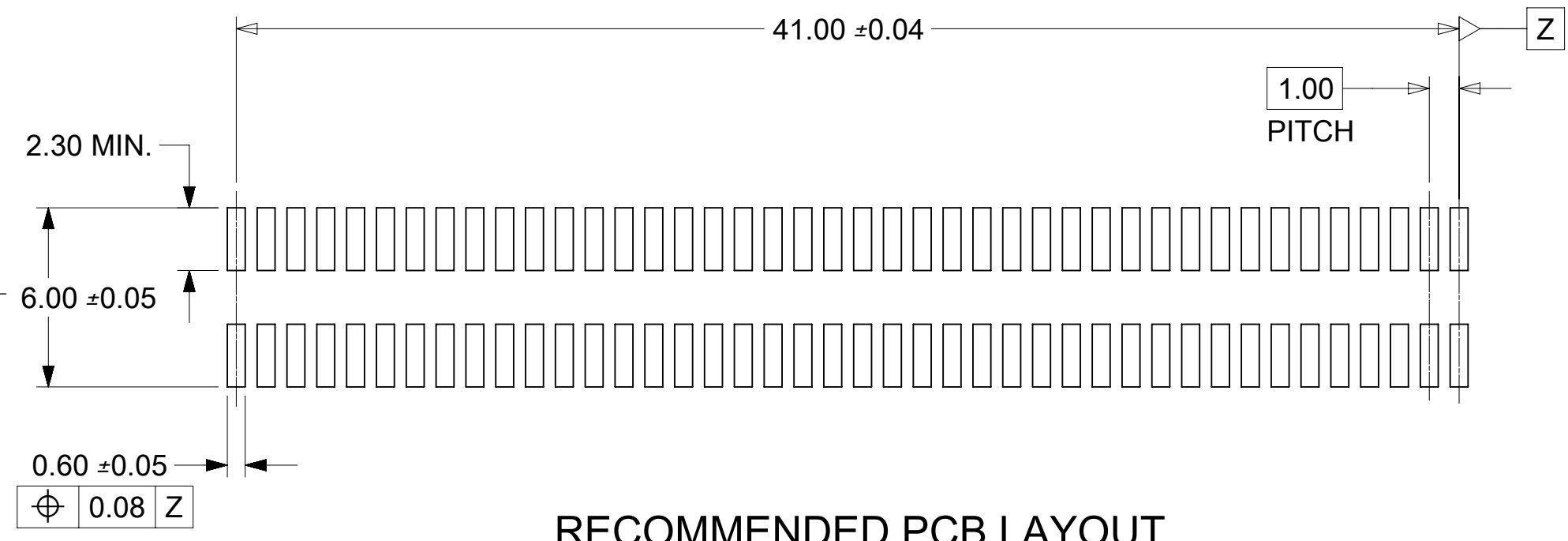
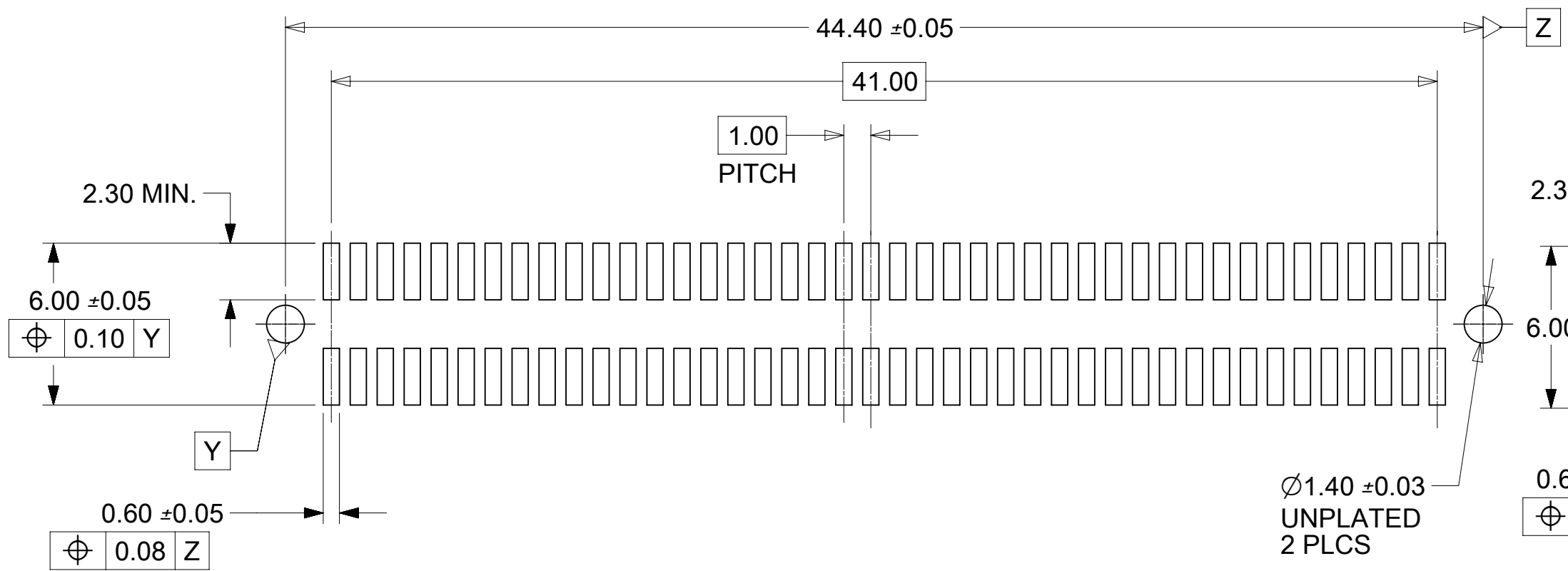
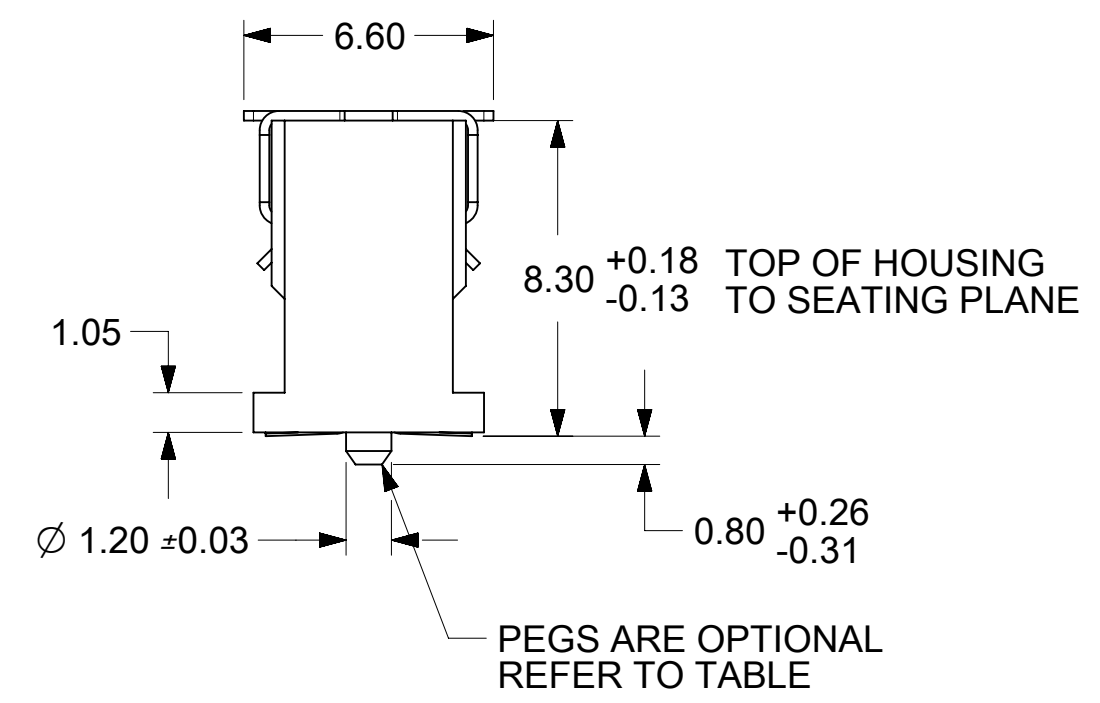
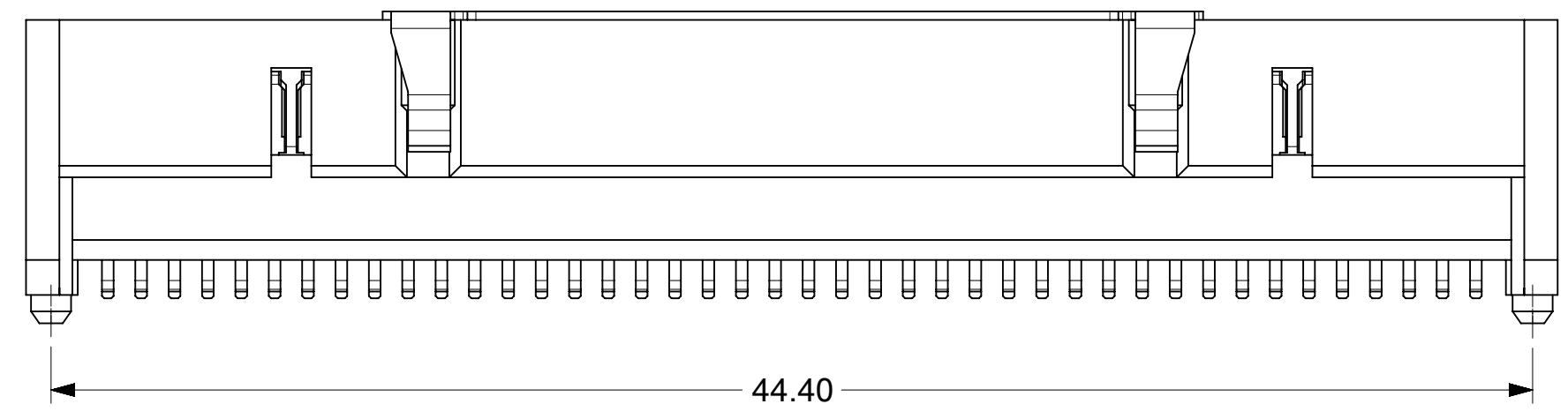


**NOTES:**

- HOUSING MATERIAL : GLASS FILLED LIQUID CRYSTAL POLYMER (LCP);  
UL RATING: 94V-0; COLOR: WHITE  
TERMINAL MATERIAL: PHOSPHOR BRONZE  
VACUUM CAP MATERIAL: STAINLESS STEEL
- COPLANARITY OF SMT TAILS: 0.10 MAX.
- PACKAGING SPECIFICATIONS : REFER TO TABLE.
- THIS PART, WHEN MATED WITH MOLEX U.S.PART NO. 71742-0\*\*\* OR MOLEX JAPAN PART NO. 52841-0848, CONFORMS TO MOLEX PRODUCT SPECIFICATION PS-71741-9999.



**RECOMMENDED PCB LAYOUT WITH PEGS**

**RECOMMENDED PCB LAYOUT**

RECOMMENDED PCB THICKNESS: 1.0±0.1 mm MIN.

RECOMMENDED PCB THICKNESS: 1.0±0.1 mm MIN.

**PLATINGS:**

- X21 - .76 MICROMETERS MINIMUM GOLD PLATE IN SELECT AREA, 1.91 MICROMETERS MINIMUM TIN PLATE IN SELECT AREA, OVER NICKEL UNDERPLATE.
- X71 - .25 MICROMETERS MINIMUM GOLD PLATE IN SELECT AREA, 1.02 MICROMETERS MINIMUM TIN PLATE IN SELECT AREA, OVER NICKEL UNDERPLATE.

SYMBOLS										THIS DRAWING CONTAINS INFORMATION THAT IS PROPRIETARY TO MOLEX ELECTRONIC TECHNOLOGIES, LLC AND SHOULD NOT BE USED WITHOUT WRITTEN PERMISSION											
DIMENSION UNITS					SCALE					CURRENT REV DESC: REDRAWN IN NX											
mm					5:1																
GENERAL TOLERANCES (UNLESS SPECIFIED)																					
ANGULAR TOL ± 0.5°																					
4 PLACES ±										EC NO: 174272					2018/03/27						
3 PLACES ±										DRWN: TPREMO					2018/03/29						
2 PLACES ± 0.18										CHK'D: KLANG					2018/03/29						
1 PLACE ± 0.33										APPR: KLANG					2018/03/29						
0 PLACES ±										INITIAL REVISION:											
										DRWN: JRR					95/08/14						
										APPR: CAB					95/08/14						
DRAFT WHERE APPLICABLE MUST REMAIN WITHIN DIMENSIONS										THIRD ANGLE PROJECTION		DRAWING		SERIES		MATERIAL NUMBER		CUSTOMER		SHEET NUMBER	
										C-SIZE		71741		SEE TABLE		GENERAL MARKET		1 OF 2			



SALES ASSY, 1.0MM 84 CKT BTB PLUG  
4.30 MM STACK HEIGHT

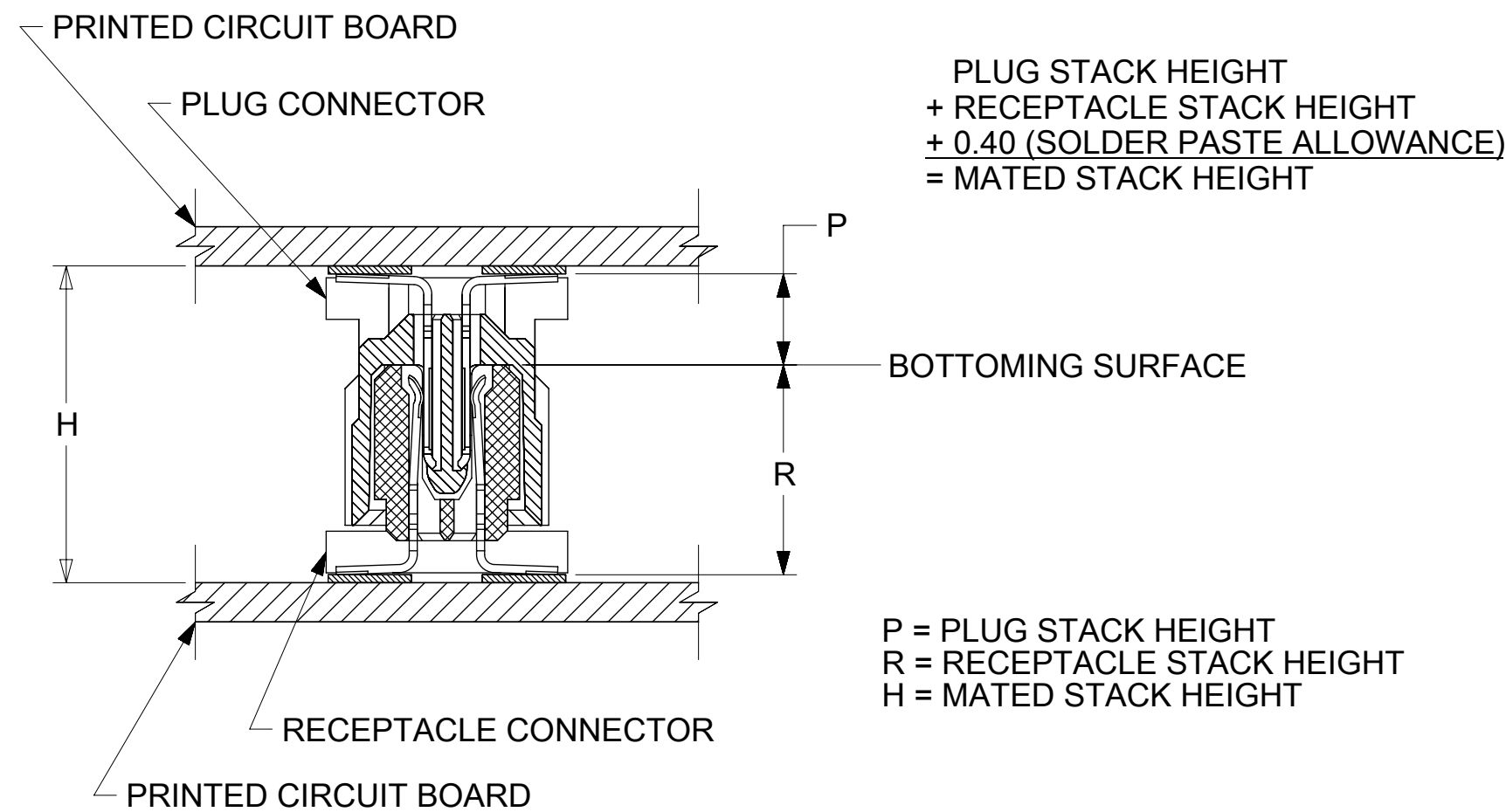
PRODUCT CUSTOMER DRAWING

DOCUMENT NUMBER	DOC TYPE	DOC PART	REVISION
717410000	PSD	000	A

MATERIAL NUMBER	PEGS	PICK & PLACE CAP	PACKAGING SPEC. NUMBER	PACKAGING TYPE	TERMINAL PLATING SEE SHEET 1
71741-0004	YES	YES	PK-70873-063	TAPE & REEL	X71
71741-0003	NO	YES	PK-70873-063	TAPE & REEL	X71
71741-0002	YES	YES	PK-70873-063	TAPE & REEL	X21
71741-0001	YES	NO	PK-70873-0607	TUBE	X21

RECOMMENDED PLUG/RECEPTACLE COMBINATION FOR  
MATED STACK HEIGHT PER EIA STANDARD 700 AAAB

MATED STACK HEIGHT	RECEPTACLE HEIGHT	RECEPTACLE SERIES NO.	PLUG HEIGHT	PLUG SERIES NO.
10.00	5.30	71742-0***	4.30	71741-0***
12.00	7.30	71742-2***		
15.00	10.30	71742-3***		



THIS DRAWING CONTAINS INFORMATION THAT IS PROPRIETARY TO MOLEX ELECTRONIC TECHNOLOGIES, LLC AND SHOULD NOT BE USED WITHOUT WRITTEN PERMISSION										
SYMBOLS		DIMENSION UNITS		SCALE		CURRENT REV		DESC: REDRAWN IN NX		
▽ = 0	mm									
▽ = 0	GENERAL TOLERANCES (UNLESS SPECIFIED)									
▽ = 0	ANGULAR TOL ± 0.5°									
▽ = 0	4 PLACES ±									
▽ = 0	3 PLACES ±									
▽ = 0	2 PLACES ± 0.18									
▽ = 0	1 PLACE ± 0.33									
▽ = 0	0 PLACES ±									
▽ = 0	DRAFT WHERE APPLICABLE MUST REMAIN WITHIN DIMENSIONS		THIRD ANGLE PROJECTION		DRAWING		SERIES			
▽ = 0			C-SIZE		71741					
DOCUMENT STATUS		P1		RELEASE DATE		2018/03/29		13:32:08		
12		11		10		9		8		
7		6		5		4		3		
2		1								

**molex**

SALES ASSY, 1.0MM 84 CKT BTB PLUG  
4.30 MM STACK HEIGHT

PRODUCT CUSTOMER DRAWING

DOCUMENT NUMBER: **717410000**

DOC TYPE: PSD    DOC PART: 000    REVISION: A

MATERIAL NUMBER: SEE TABLE    CUSTOMER: GENERAL MARKET    SHEET NUMBER: 2 OF 2

EC NO: 174272

DRWN: TPREMO    2018/03/27

CHK'D: KLANG    2018/03/29

APPR: KLANG    2018/03/29

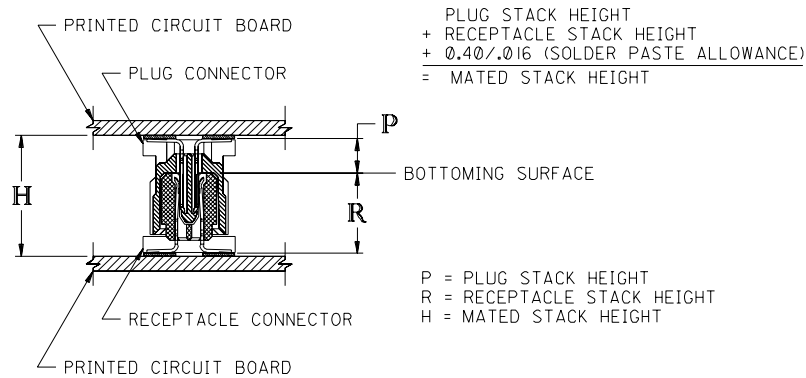
INITIAL REVISION:

DRWN: JRR    95/08/14

APPR: CAB    95/08/14

RECOMMENDED PLUG/RECEPTACLE COMBINATION FOR  
MATED STACK HEIGHT PER EIA STANDARD 700 AAAB

MATED STACK HEIGHT	RECEPTACLE HEIGHT	RECEPTACLE SERIES NO.	PLUG HEIGHT	PLUG SERIES NO.
10.00/.394	5.30/.209	71742-0***	4.30/.169	71741-0***
15.00/.591	10.30/.406	71742-3***	4.30/.169	71741-0***



METRIC

REVISE ONLY ON CAD SYSTEM

UNLESS OTHERWISE SPECIFIED  
TOLERANCES: ANGULAR ± 1/2°

	INCH	METRIC
3 PLACE	± ----	----
2 PLACE	± ----	± ----
1 PLACE	----	± ----

DRAFT WHERE APPLICABLE MUST  
REMAIN WITHIN DIMENSIONS

TITLE: SALES ASSY, 1.0mm 84 CKT.  
BOARD-TO-BOARD PLUG  
4.30/.169 STACK HEIGHT

MOLEX INCORPORATED U.S.A.  
L15LEJLL 60532

PART NO. SEE SHT 1  
DRWG. NO. SDA-71741-0\*\*\*

DATE: 98/12/28

FILE NAME: ST17410.DGN

THIS DRAWING CONTAINS INFORMATION THAT IS PROPRIETARY TO MOLEX INC. AND SHOULD NOT BE USED WITHOUT WRITTEN PERMISSION.

DIV. CPP  
SIZE C

LTR.	REVISIONS	LTR.	REVISIONS
		D	SEE SHEET 1

DRWG. BY: KAS	CHK'D. BY: KAS
APP'D. BY: DJB	SCALE: NONE