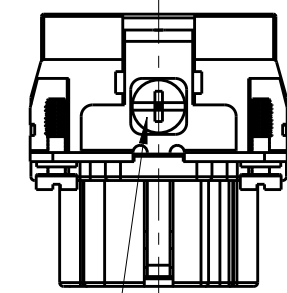
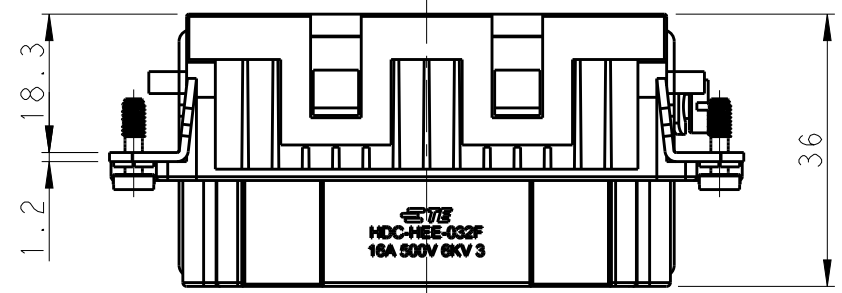
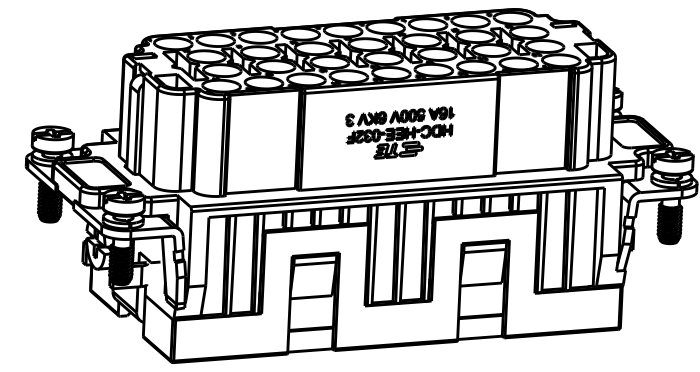
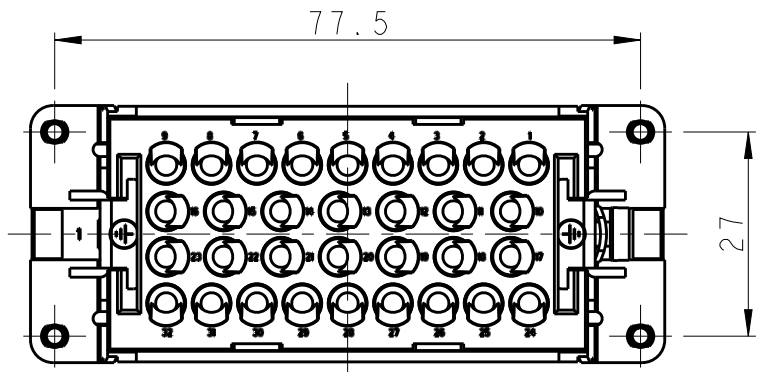


THIS DRAWING IS UNPUBLISHED. RELEASED FOR PUBLICATION 20  
 © COPYRIGHT 20 BY - ALL RIGHTS RESERVED.

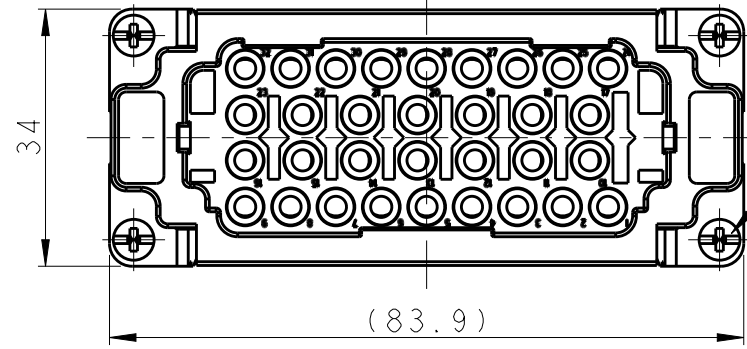
REVISIONS					
P	LTR	DESCRIPTION	DATE	DWN	APVD
	A	INITIAL RELEASE	07SEP2017	YC	CW



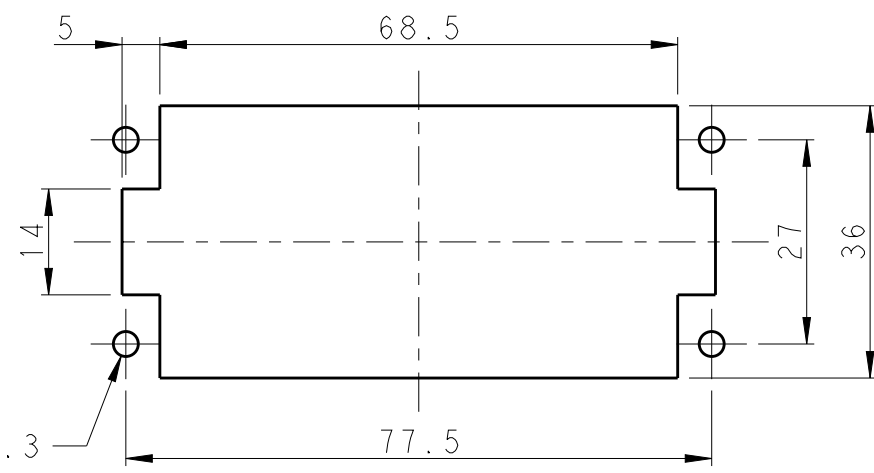
M4 SCREW, RECOMMENDED  
 TIGHTENING TORQUE 1.2N.m  
 M4螺丝, 推荐锁紧力矩1.2N.m

NOTES:  
 1. TECHNICAL CHARACTERISTICS:  
 INSULATION MATERIAL: PC  
 RATED VOLTAGE: 500V  
 RATED CURRENT: 16A  
 INSULATION RESISTANCE: >=400MΩ  
 RATED IMPULSE VOLTAGE: 6KV  
 POLLUTION DEGREE: 3  
 FLAMMABILITY: UL94V-0  
 MATING CYCLES: 500 CYCLES  
 WIRE RANGE: 0.14-4 mm<sup>2</sup> (26-12 AWG)  
 CONTACT TYPE: CRIMP CONTACT  
 2. CONTACT NEED TO BE ORDERED SEPARATELY.  
 (ORDER No. REFER TO DRAWING:T20300X20XX000)

注释:  
 1. 技术参数:  
 绝缘材料: PC  
 额定电压: 500V  
 额定电流: 16A  
 绝缘电阻: >=400MΩ  
 额定脉冲电压: 6KV  
 污染等级: 3  
 阻燃等级: UL94V-0  
 插拔次数: 500次  
 接线范围: 0.14-4 mm<sup>2</sup> (26-12 AWG)  
 接线类型: 冷压接  
 2. 端子需要单独订购。  
 (订货号参考图面: T20300X20XX000)



4X M3 SCREW, RECOMMENDED  
 TIGHTENING TORQUE 0.5N.m  
 4X M3螺丝, 推荐锁紧力矩0.5N.m



PANEL CUT FOR INSERTS FOR USE  
 WITHOUT HOODS/ HOUSINGS  
 不使用防护外壳时芯件的安装开孔图

T2050322201-007	HEE-032-F	HEE-032 FEMALE INSERT HEE-032 母插
PART NUMBER 料号	PART DESCRIPTION 描述	

THIS DRAWING IS A CONTROLLED DOCUMENT.		DWN 07SEP2017 YORK CHEN	TE Connectivity
		CHK 07SEP2017 GINO YAO	
		APVD 07SEP2017 CHRIS WANG	
		PRODUCT SPEC 108-106137	
DIMENSIONS: mm		NAME HEE-032-F	
TOLERANCES UNLESS OTHERWISE SPECIFIED:		APPLICATION SPEC 114-106137	
0 PLC ±-		SIZE A3	
1 PLC ±-		CAGE CODE 00779	
2 PLC ±-		DRAWING NO T2050322201007	
3 PLC ±-		RESTRICTED TO -	
4 PLC ±-		SCALE 1:1	
ANGLES ±-		SHEET 1 OF 1	
MATERIAL -		WEIGHT -	
FINISH -		REV A	
		CUSTOMER DRAWING	