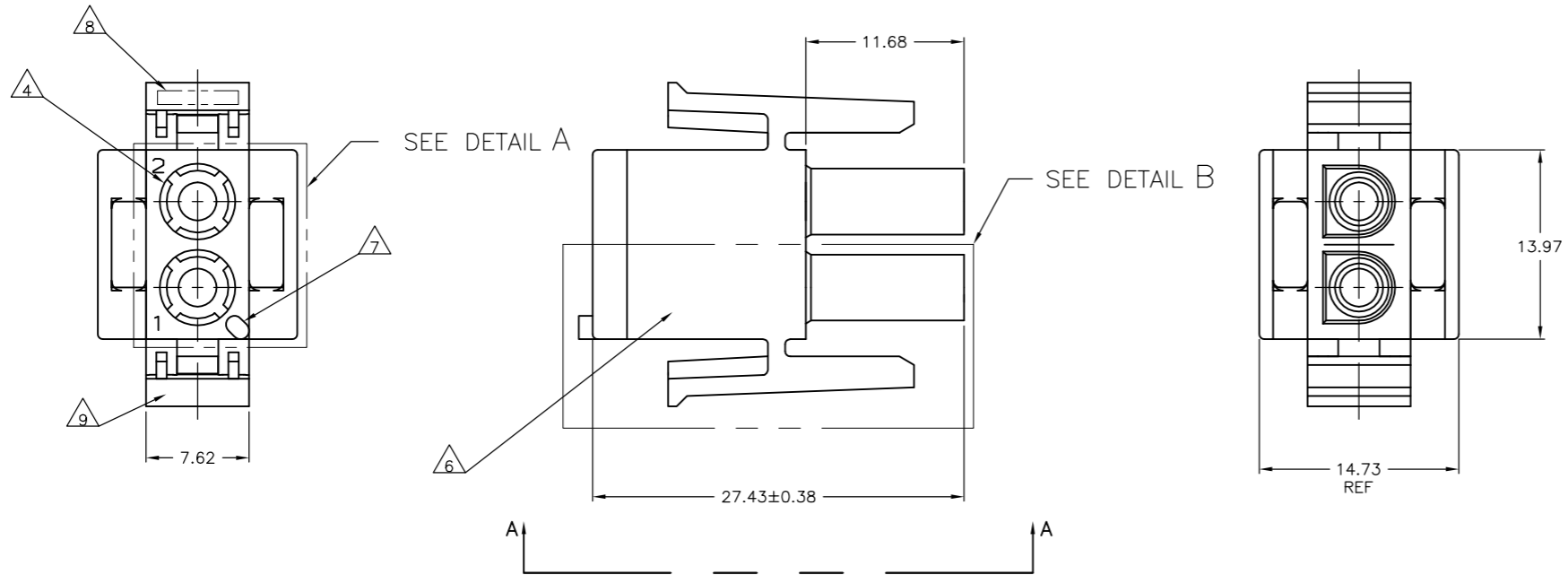


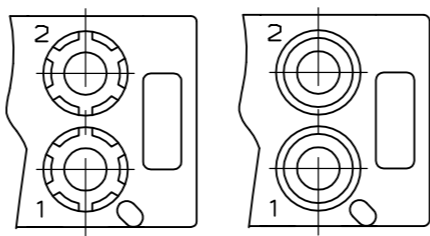
REVISIONS				
P	LTR	DESCRIPTION	DATE	OWN
AD2		REVISED PER ECR-17-018148	13DEC2017	SC BH



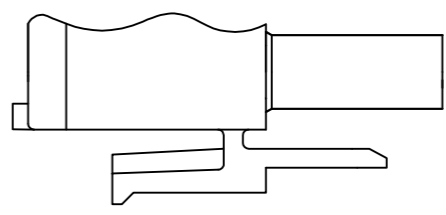
- 1 MATES WITH APPROPRIATE UNIVERSAL MATE-N-LOK™ CAP OR HEADER.
  - 2 SMALL NICKS ARE PERMITTED ON THE CIRCUIT TOWERS WHICH COULD INCREASE THE INITIAL HOUSING MATING FORCE BY UP TO 4.4 NEWTONS [1.0] LBS. NO INDIVIDUAL NICKED TOWER SHALL INCREASE THIS FORCE BY OVER 2.2 NEWTONS [.5] LBS.
  - 3 DIMENSIONS SHOWN REPRESENT PRODUCT IN DRY, AS MOLDED, CONDITION. ADDITIONAL 2% GROWTH DUE TO SUBSEQUENT MOISTURE ABSORPTION MAY OCCUR AND SHOULD BE ACCOUNTED FOR.
- △4 FOUR RIBS EQUALLY SPACED, NO SPECIFIC ORIENTATION, NO RIBS OR SIX RIBS EQUALLY SPACED, NO SPECIFIC ORIENTATION, OPTIONAL.
  - △5 NOT MANUFACTURED IN U.S.
  - △6 UNDERWRITERS RECOGNIZED COMPONENT LOGO AND CSA CERTIFICATION LOGO TO BE LOCATED ONCE ON ANY SIDE OF HOUSING.
  - △7 POSITION #1 LOCATOR FEATURE MAY BE ROUND OR OBLONG (AS DEPICTED).
  - △8 TRADEMARK LOCATION (AMP OR TE CONNECTIVITY) SHOWN FOR CONVENIENCE, LOGO MAY BE ON ANY EXTERNAL SURFACE.
  - △9 MANUFACTURING LOCATION ID (OPTIONAL).
  - △10 MATERIAL: PA66, UL94 V-0, GWIT 775°C



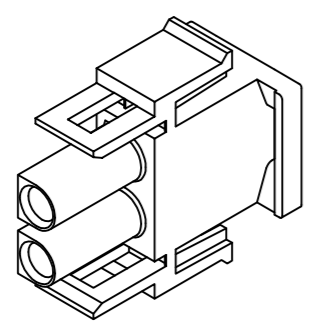
VIEW A-A  
350777-4 ONLY



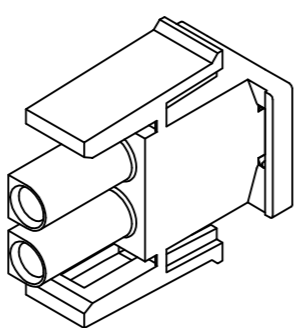
DETAIL A  
OPTIONAL CONSTRUCTION



DETAIL B  
350777-4 ONLY



350777-4 3-DIMENSIONAL MODEL  
NTS



3-DIMENSIONAL MODEL  
NTS

MM	IN
27.43	1.080
14.73	.580
13.97	.550
11.68	.460
7.62	.300
0.38	.015
0.13	.005

CONVERSION TABLE

△10	NATURAL	2-350777-1
	BLACK	1-350777-9
	GRAY	1-350777-8
	BLUE	1-350777-6
	GREEN	1-350777-5
	YELLOW	1-350777-4
	ORANGE	1-350777-3
	RED	1-350777-2
	BROWN	1-350777-1
△5		350777-4
	NATURAL	350777-1
	COLOR	PART NUMBER

THIS DRAWING IS A CONTROLLED DOCUMENT.

DIMENSIONS:	TOLERANCES UNLESS OTHERWISE SPECIFIED:	DWN: R. VESTAL 24JAN95	CHK: R. SWING 24JAN95	NAME: PLUG, 2 CIRCUIT, UNIVERSAL MATE-N-LOK(TM)
mm	0 PLC ± - 1 PLC ± - 2 PLC ± 0.13 3 PLC ± - 4 PLC ± - ANGLES ± 0.30°	APP'D: D. SELF 24JAN95	PRODUCT SPEC: - APPLICATION SPEC: -	SIZE: A1 CAGE CODE: 00779 DRAWING NO: 350777
MATERIAL: NYLON	FINISH: -	WEIGHT: -	CUSTOMER DRAWING	RESTRICTED TO: -

SCALE: 4:1 SHEET 1 OF 1 REV AD2