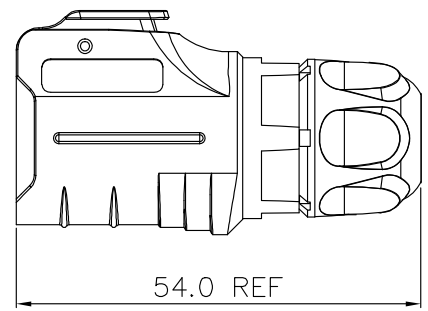
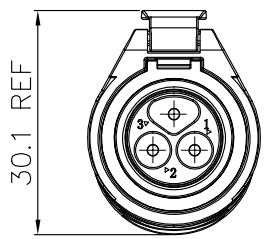
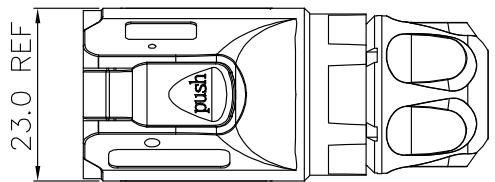
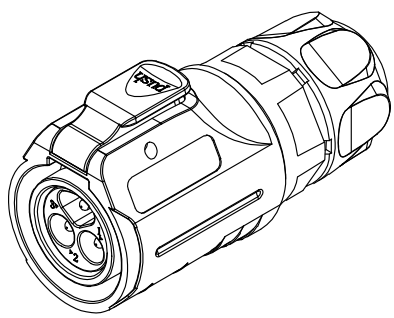


THIS INFORMATION IS CONFIDENTIAL AND IS DISCLOSED TO YOU ON CONDITION THAT NO FURTHER DISCLOSURE IS MADE BY YOU TO OTHER THAN SPEED TECH PERSONNEL WITHOUT WRITTEN AUTHORIZATION FROM LINCO CORP.

1 2 3 4 5 6 7 8 9 10  
 COPYRIGHT - 2017 BY LINCO ELECTRIC COPYRIGHT

REV	MODIFICATION	DATE	DRAW	APPROVE



SPECIFICATIONS:  
 Current Rating: PIN Number-A 10A; PIN Number-B 5A  
 Operating Voltage: 400V MAX.  
 Dielectric Withstanding Voltage: 2500V MAX.  
 Contact Resistance: 5.0mΩ MAX.  
 Cable OD: ø3.0-ø8.5mm  
 Waterproof Standard: IP 67

3	Metal	Zinc Alloy	Chrome Ptd.	1
2	Contact	Brass	Gold Ptd.	2-9
1	Housing	PBT		5
No.	Description	Material	Treat	Q'ty

-TOLERANCES- UNLESS OTHERWISE SPECIFIED	
X.X ±0.25	X* REF ± 5*
X.XX ±0.15	X.* ± 3*
X.XXX±0.05	X*X* ± 1*
DRAWN	ROBIN 02/01/2018
CHECKED	
APPROVED	
SCALE: AS SHOWN	UNIT: mm



TITLE: LP16 Serie 251 Male Plug All Plastic	
PRODUCT NO.	---
FILE NAME:	---
PORJ.	SIZE A4
REV. A	SHEET. A/A

TYPE	PIN NUMBER-A(10A)			PIN NUMBER-B(5A)			
P/N:	0251 02	0251 03	0251 04	0251 05	0251 07	0251 08	0251 09
Male Contact Face View							
Number Of Contact	2	3	4	5	7	8	9

1 2 3 4 5 6 7 8 9 10