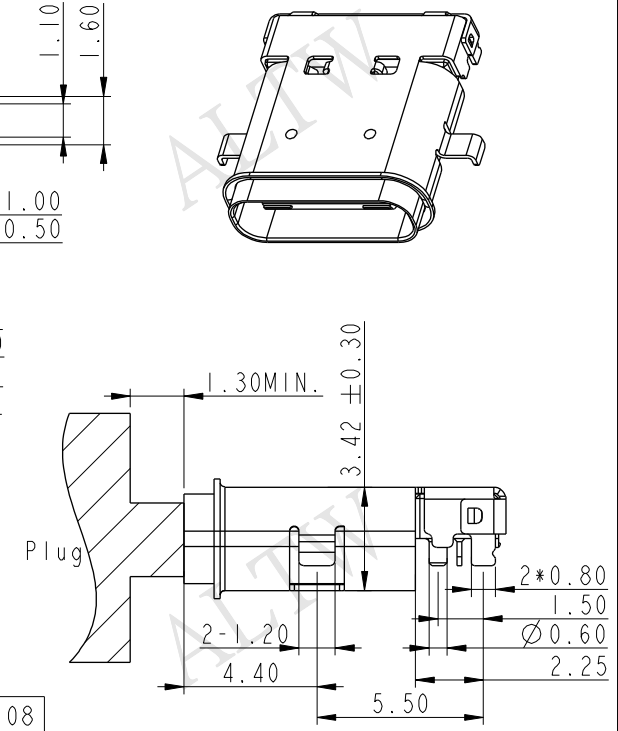
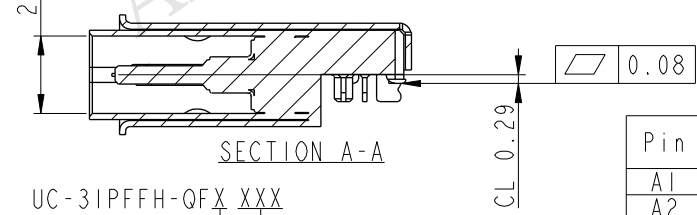
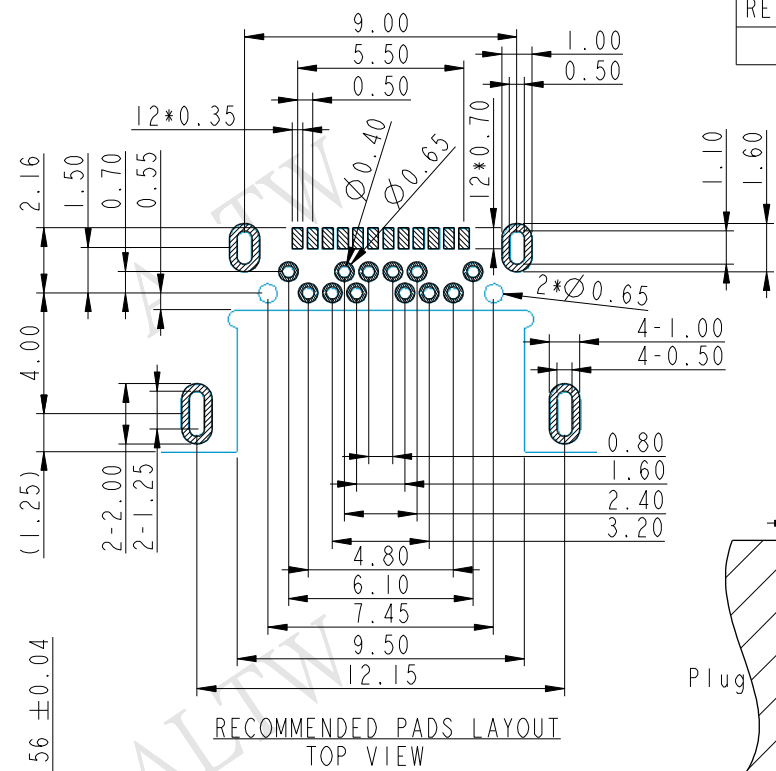
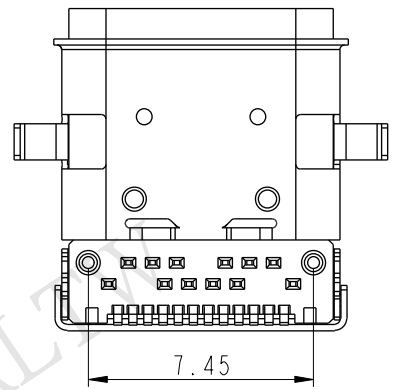
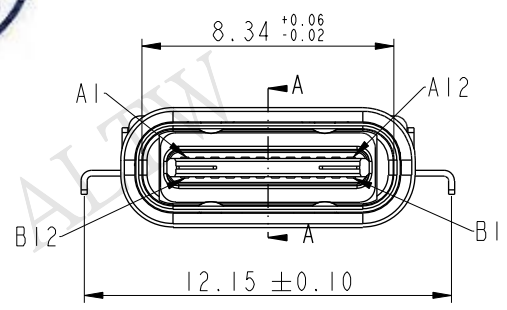
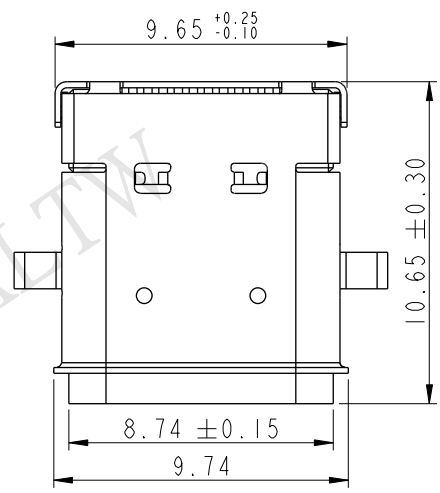


THIS DOCUMENT IS SUBJECT TO CHANGE WITHOUT NOTICE. IT IS CONFIDENTIAL AND A PROPERTY OF Amphenol LTW. DISCLOSURE TO THIRD PARTY HAS TO BE AUTHORIZED BY Amphenol LTW.

REV.	DESCRIPTION
A	New Initial

ALTW
CONFIDENTIAL
2018-04-03
R&D DEPT.

ALTW
DCC. DEPT.
CONFIDENTIAL
2018.05.04
ISSUED



UC-31PFFH-QFX XXX
IPX7:7
001:With TID
002:Non TID

- Note:
- * IP: IPXX
 - * Connecote: Thermoplastic
 - * Pin: Copper Alloy
 - * Shield: Stainless (Inner)
Stainless & Nickel Plating (Out)
 - * Operating Temperature: -40°C To +85°C

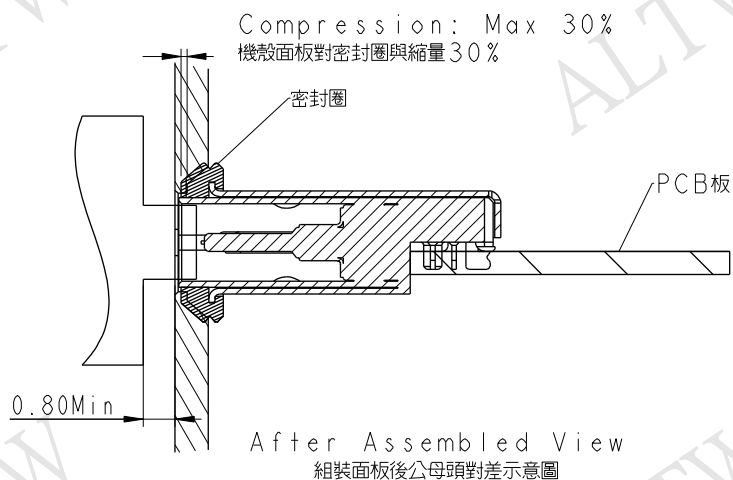
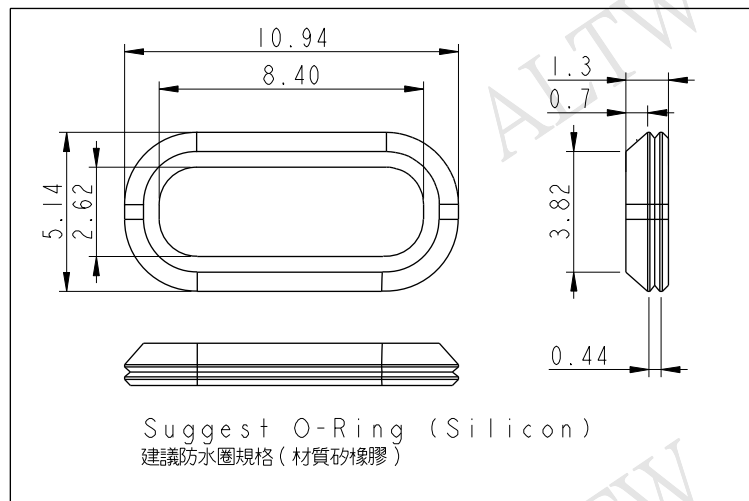
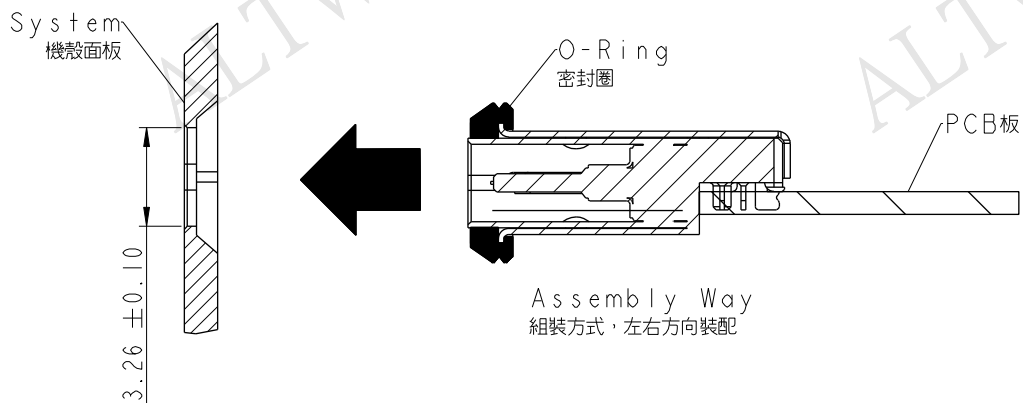
Pin	Signal Name	Mating Sequence	Pin	Signal Name	Mating Sequence
A1	GND	First	B12	GND	First
A2	SSTXp1	Second	B11	SSRXp1	Second
A3	SSTXn1	Second	B10	SSRXn1	Second
A4	Vbus	First	B9	Vbus	First
A5	CC1	Second	B8	SBU2	Second
A6	Dp1	Second	B7	Dn2	Second
A7	Dn1	Second	B6	Dp2	Second
A8	SBU1	Second	B5	CC2	Second
A9	Vbus	First	B4	Vbus	First
A10	SSRXn2	Second	B3	SSTXn2	Second
A11	SSRXp2	Second	B2	SSTXp2	Second
A12	GND	First	B1	GND	First
SHELL		GND	SHELL		GND

UNIT:mm		TITLE	USB 3.1 C TYPE JACK		
TOLERANCE	±0.5 mm	SCALE	4:1	SIZE	A4
		SHEET	1	OF	3
		REV.	A	WC-REV.	A.3
		QC: Inspection item			

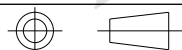
Amphenol LTW
安費諾亮泰企業股份有限公司

ITEM NO	UC-31PFFH-QFXXXX	DRAWN BY	Richard	DATE	2018/04/03
DWG NO	UC-31PFFH-QFXXXX	CHECKED BY	Neo	DATE	2018/04/03
CUSTOMER	ALTW	APPROVED BY	Max	DATE	2018/04/03

THIS DOCUMENT IS SUBJECT TO CHANGE WITHOUT NOTICE. IT IS CONFIDENTIAL AND A PROPERTY OF AMPHENOL LTW. DISCLOSURE TO THIRD PARTY HAS TO BE AUTHORIZED BY AMPHENOL LTW.



UNIT: mm



TOLERANCE

±0.5 mm

TITLE

USB 3.1 C TYPE JACK

SCALE 4:1

SIZE A4

SHEET 2 OF 3

REV. A

WC-REV. A.3

☉: Inspection item

Amphenol LTW

安費諾亮泰企業股份有限公司

ITEM NO

UC-31PFFH-QFXXXX

DWG NO

UC-31PFFH-QFXXXX

CUSTOMER

ALTW

DRAWN BY

Richard

CHECKED BY

Neo

APPROVED BY

Max

DATE

2018/04/03

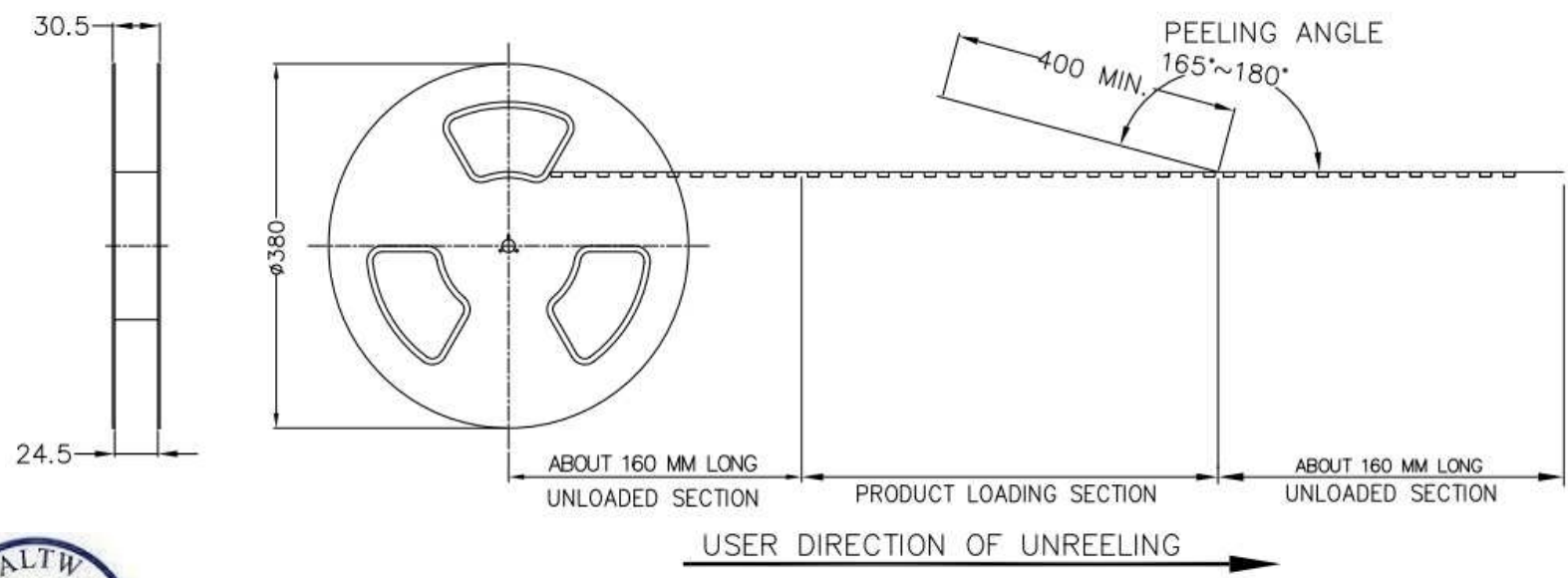
DATE

2018/04/03

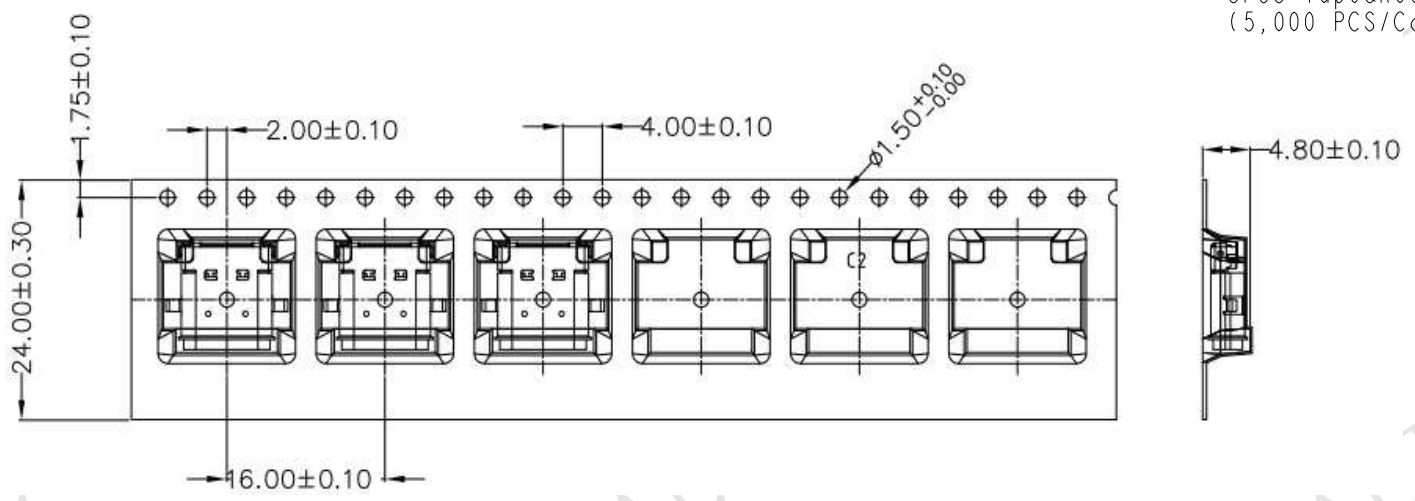
DATE

2018/04/03

THIS DOCUMENT IS SUBJECT TO CHANGE WITHOUT NOTICE. IT IS CONFIDENTIAL AND A PROPERTY OF AMPHENOL LTW. DISCLOSURE TO THIRD PARTY HAS TO BE AUTHORIZED BY AMPHENOL LTW.



*1000PCS (Connector) In A Tape&Reel
 5PCS Tape&Reel In A Carton
 (5,000 PCS/Carton)



UNIT:mm
 TOLERANCE
 0.5

TITLE
 USB 3.1 C TYPE JACK
 SCALE 3:1 SIZE A4 SHEET 3 OF 3
 REV. WC-REV. A.3 Inspection item

Amphenol LTW
 安費諾亮泰企業股份有限公司

ITEM NO UC-31PFFH-QFXXXX
 DWG NO UC-31PFFH-QFXXXX
 CUSTOMER ALTW

DRAWN BY Richard
 CHECKED BY Neo
 APPROVED BY Max

DATE 2018/04/03
 DATE 2018/04/03
 DATE 2018/04/03