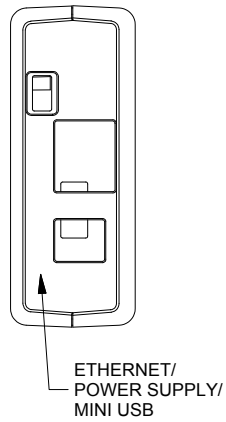
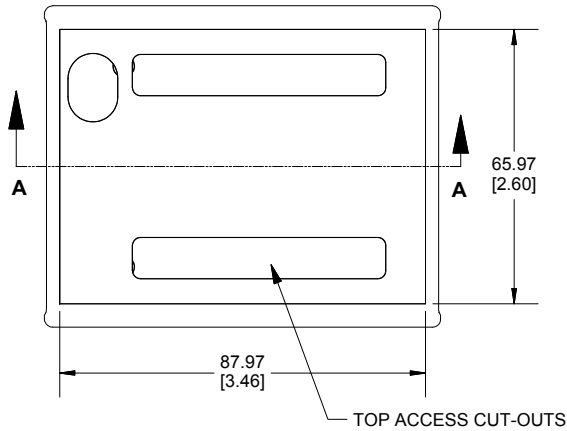


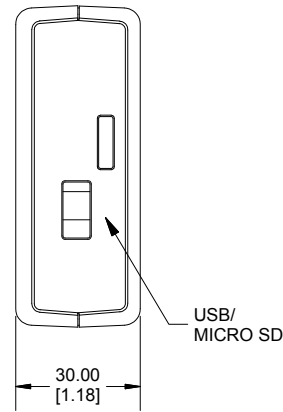
End View of Assembly



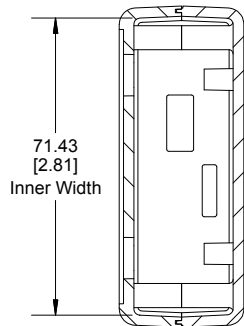
Top View of Assembly



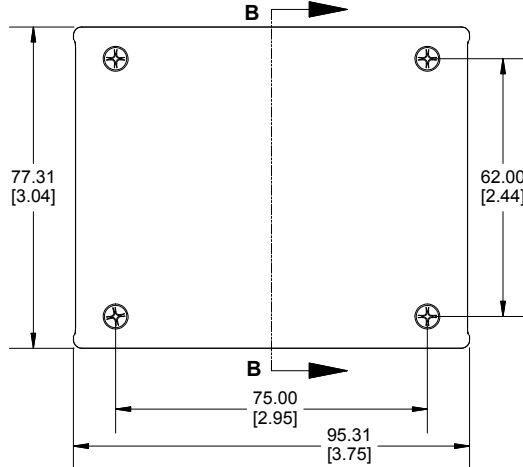
End View of Assembly



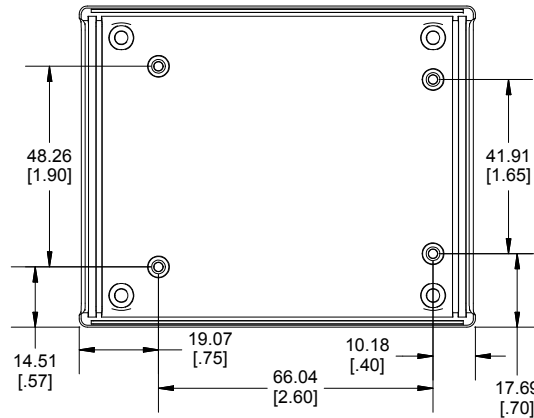
SECTION B-B



Bottom View of Assembly



INSIDE BOTTOM



Dimensions:
mm
[inches]

*** FOR USE WITH BEAGLEBONE**

NOTE
Purchased assembly includes top and bottom cover, front and rear end panels, 4 cover screws, 4 PCB screws and 4 clear rubber feet. (P.C. Board not included)
Enclosure molded from ABS Plastic.

PART NUMBERS	
1593HAMDOG Enclosure	
Black Enclosure	1593HAMDOGBK
Grey Enclosure	1593HAMDOGGY
Translucent Blue Enclosure	1593HAMDOGTBU

ACCESSORIES	
Recommended Torque: 75 ozf.in / 55 cN.m	
P.C. Board Screws	1593ATS50 (pkg 50)
#4 X 1/4" Self-Tapping	1593ATS100 (pkg 100)
Cover Screws (Pkg 100)	1593QS100 (Silver)
#4 X 3/4" Self-Tapping	1593QS100BK (Black)

**HAMMOND
MANUFACTURING™**

1593HAMDOG

www.hammondmfg.com