

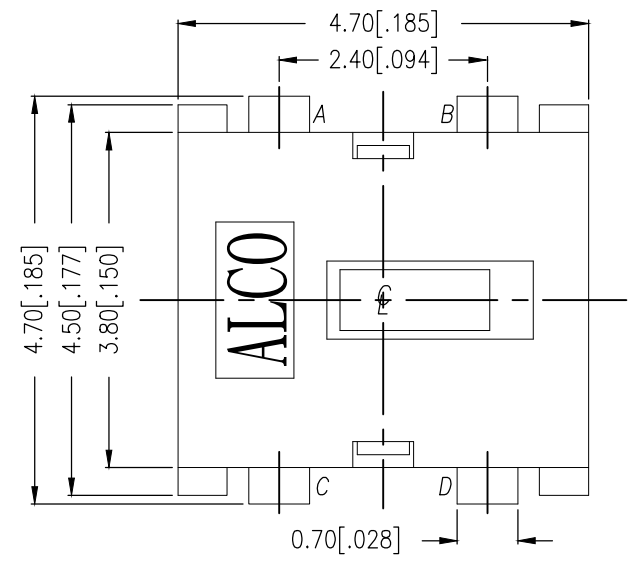
THIS DRAWING IS UNPUBLISHED. RELEASED FOR PUBLICATION

© COPYRIGHT - TE Connectivity Ltd.

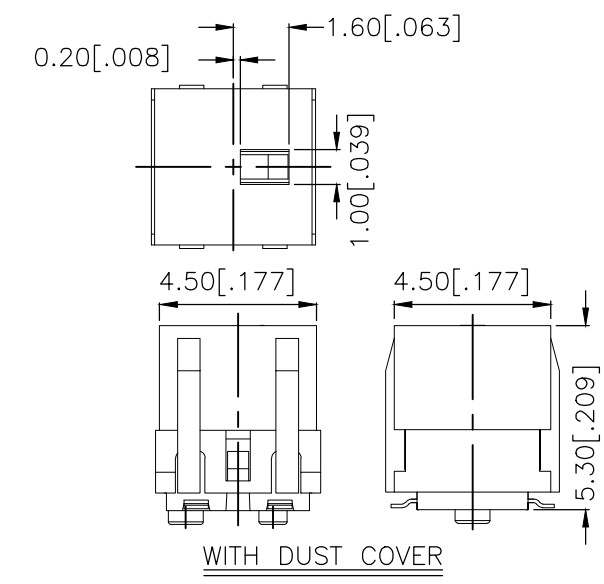
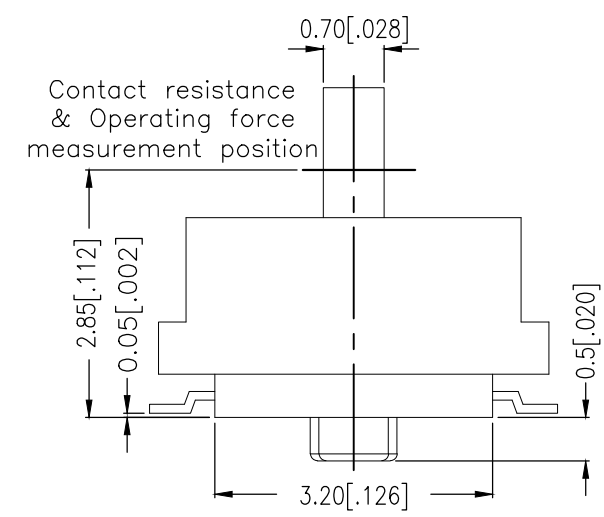
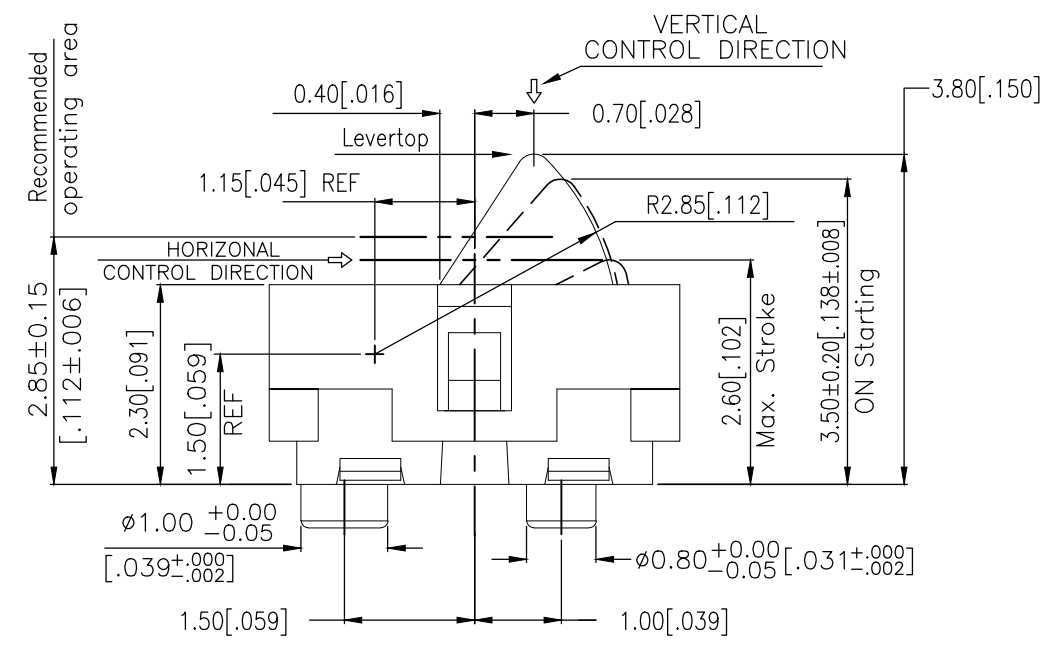
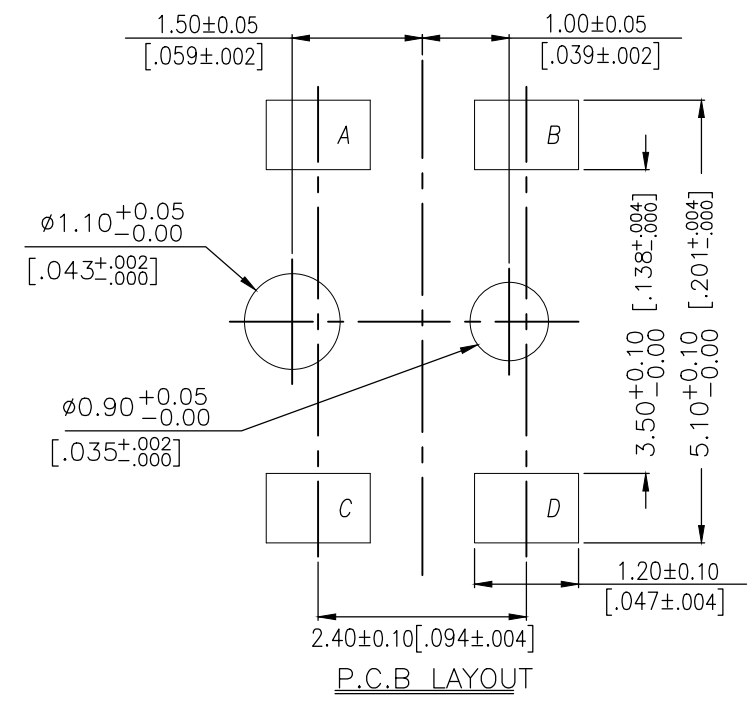
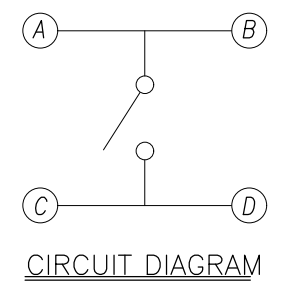
ALL RIGHTS RESERVED.

REVISIONS

P	LTR	DESCRIPTION	DATE	DWN	APVD
1		NEW DRAWING	07MAR2018	GCM	AS



2331368-1
AS SHOWN



PRELIMINARY

THIS DRAWING IS A CONTROLLED DOCUMENT.		DWN	07MAR2018		
		CHK	07MAR2018		
		APVD	07MAR2018		
		NAME	ALEXANDER SHARPE		
DIMENSIONS: mm [INCHES]		TOLERANCES UNLESS OTHERWISE SPECIFIED:			
		0 PLC	± -		
		1 PLC	± -		
		2 PLC	± 0.20 [.008]		
		3 PLC	± -		
		4 PLC	± -		
		ANGLES	± -		
MATERIAL		FINISH			
		PRODUCT SPEC			
		APPLICATION SPEC			
		WEIGHT			
		SIZE	CAGE CODE	DRAWING NO	RESTRICTED TO
		A3	00779	C-2331368	-
CUSTOMER DRAWING		SCALE	SHEET	REV	
		NTS	1 of 3	1	

THIS DRAWING IS UNPUBLISHED.

RELEASED FOR PUBLICATION

REVISIONS

© COPYRIGHT - TE Connectivity Ltd.

ALL RIGHTS RESERVED.

P	LTR	DESCRIPTION	DATE	DWN	APVD
-	-	SEE SHEET 1	-	-	-

NOTES:

1. MATERIALS

ACTUATOR: THERMOPLASTIC, BLACK
 BODY: THERMOPLASTIC, UL94V-0, BLACK
 COVER: THERMOPLASTIC, BLACK
 TERMINAL: COPPER ALLOY, SILVER PLATE
 CONTACT: STAINLESS STEEL, SILVER CLAD
 DUST COVER: THERMOPLASTIC, BLACK

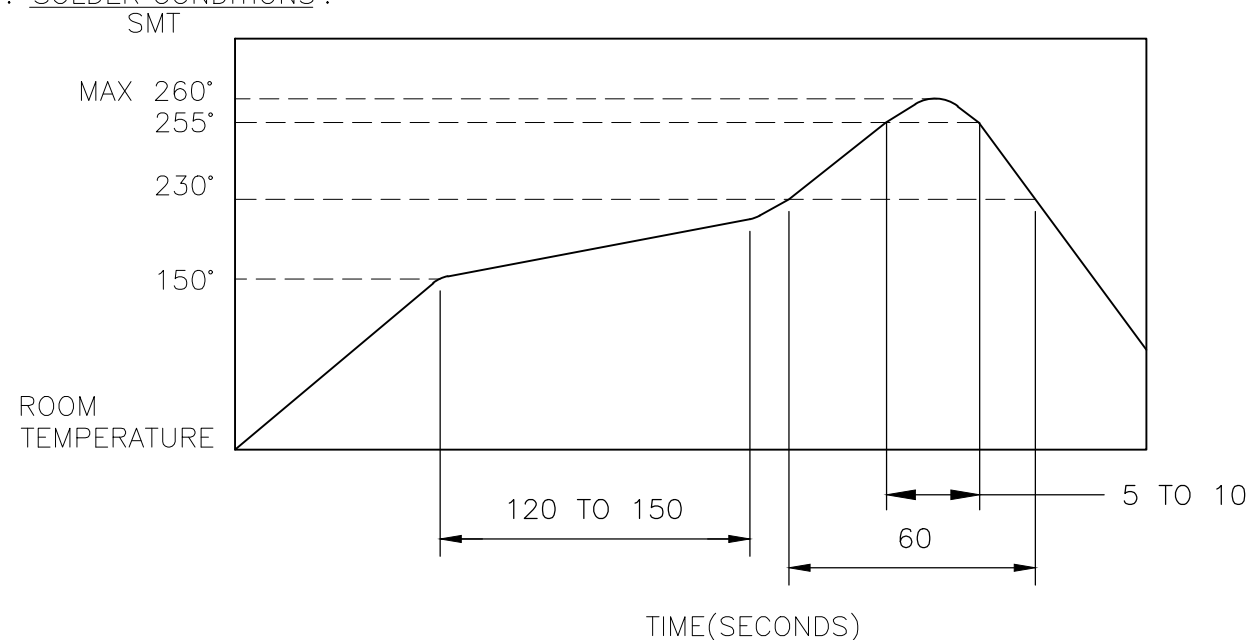
2. COMPLIANCE:

ALL MATERIALS AND FINISHES SHALL COMPLY WITH EU
 DIRECTIVE 2002/95/EC OF 27JAN2003(RoHS)

3. SPECIFICATIONS:

RATING: 1mA 5V DC
 CONTACT RESISTANCE: 1Ω MAXIMUM(INITIAL)
 INSULATION RESISTANCE: 100MΩ MINIMUM AT 100 V DC
 DIELECTRIC STRENGTH: 100 V AC, 1 MINUTE
 OPERATING LIFE: 100,000 CYCLES WITH LOAD
 TOTAL TRAVEL: 1.2 [.047]
 ACTUATION FORCE: 40gf MAXIMUM
 OPERATING TEMPERATURE: -10°C TO 60° C
 STORAGE TEMPERATURE: -20°C TO 70° C

4. SOLDER CONDITIONS :



THE CONDITION MENTIONED ABOVE IS THE TEMPERATURE ON THE CU FOIL OF THE PCB SURFACE. THERE ARE CASES WHERE THE BOARD'S TEMPERATURE GREATLY DIFFERS FROM THE SWITCH'S SURFACE. DO NOT ALLOW SWITCH'S SURFACE TEMPERATURE TO EXCEED 260 °C

MANUAL SOLDERING

SOLDERING TEMPERATURE	MAX. 350°C
CONTINUOUS SOLDERING TIME	MAX. 5 SECONDS

PRECAUTIONS IN HANDLING

1. CARE SHOULD BE EXERCISED SO THAT FLUX FROM THE UPPER PART OF THE PRINTED CIRCUIT BOARD DOES NOT ADHERE TO THE SWITCH.

JJFV0UG380NOPMRTR	2331368-1
SMART PART NUMBER	PART NUMBER

PRELIMINARY

THIS DRAWING IS A CONTROLLED DOCUMENT.		DWN	07MAR2018	STE TE Connectivity Ltd.		
		CHK	07MAR2018			
DIMENSIONS: mm [INCHES]		TOLERANCES UNLESS OTHERWISE SPECIFIED:		NAME		
		0 PLC ± -		SWITCH, DETECTOR, JJF SERIES, 4.7X3.8mm, VERTICAL, SMT, POSTS, WITH DUST COVER		
		1 PLC ± -		APVD		
		2 PLC ± 0.20 [.008]		07MAR2018		
		3 PLC ± -		NAME		
4 PLC ± -		FINISH		SIZE		
ANGLES ± -		MATERIAL		CAGE CODE		
				DRAWING NO		
				RESTRICTED TO		
				WEIGHT		
				A3 00779		
				G=2331368		
				CUSTOMER DRAWING		
				SCALE		
				NTS		
				SHEET		
				2 OF 3		
				REV		
				1		

THIS DRAWING IS UNPUBLISHED.

RELEASED FOR PUBLICATION

© COPYRIGHT - TE Connectivity Ltd.

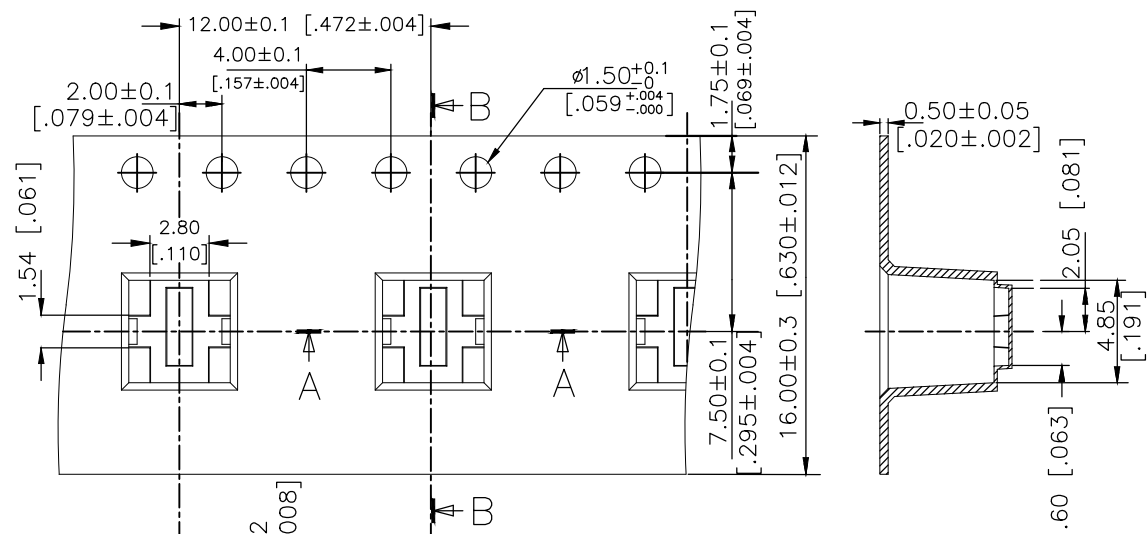
ALL RIGHTS RESERVED.

REVISIONS

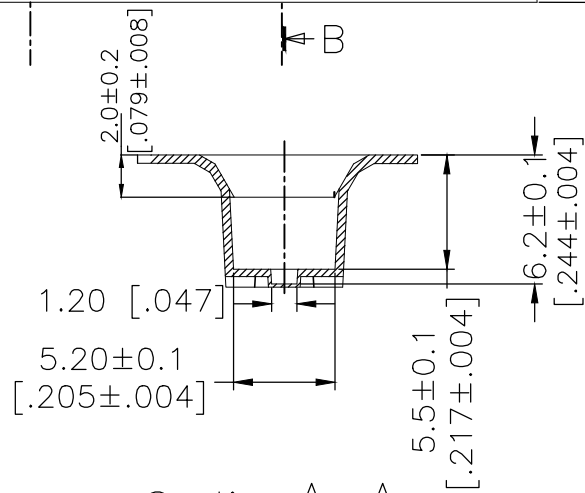
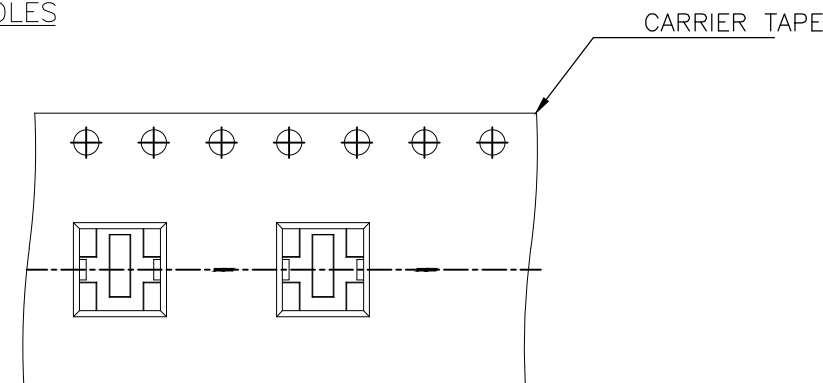
P	LTR	DESCRIPTION	DATE	DWN	APVD
-	-	SEE SHEET 1	-	-	-

PACKAGING:
900 SWITCHES PER REEL

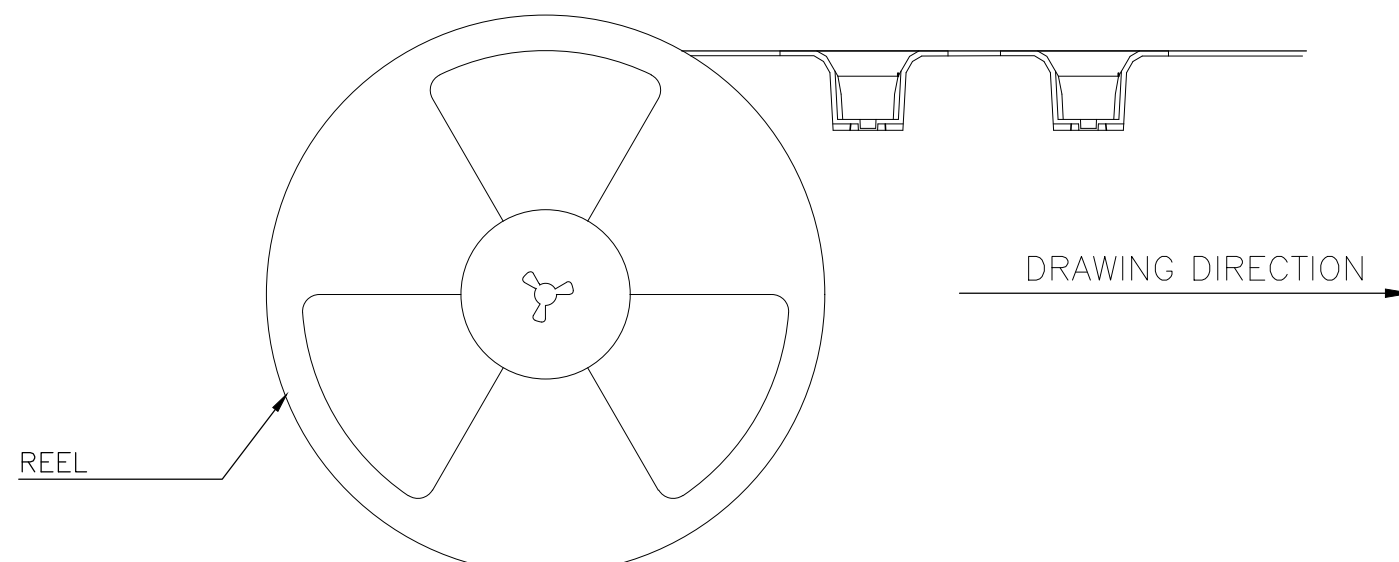
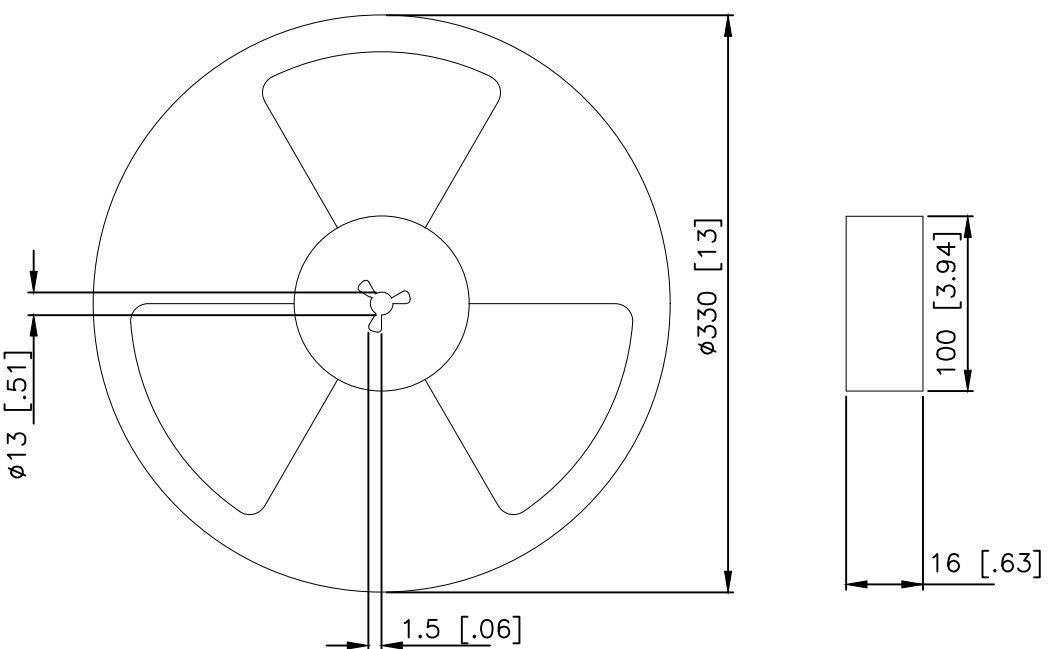
THE DIMENSION OF CARRIER TAPE, COVER TAPE AND REEL




THE DIRECTION OF PILOT HOLES



Section A-A



PRELIMINARY

THIS DRAWING IS A CONTROLLED DOCUMENT.		DWN GANESH C M 07MAR2018	 TE Connectivity Ltd.														
DIMENSIONS: mm [INCHES]		CHK ALEXANDER SHARPE 07MAR2018															
TOLERANCES UNLESS OTHERWISE SPECIFIED:		APVD ALEXANDER SHARPE 07MAR2018	NAME SWITCH, DETECTOR, JJF SERIES, 4.7X3.8mm, VERTICAL, SMT, POSTS, WITH DUST COVER														
<table border="1"> <tr><td>0 PLC</td><td>± -</td></tr> <tr><td>1 PLC</td><td>± -</td></tr> <tr><td>2 PLC</td><td>± 0.20 [.008]</td></tr> <tr><td>3 PLC</td><td>± -</td></tr> <tr><td>4 PLC</td><td>± -</td></tr> <tr><td>ANGLES</td><td>± -</td></tr> </table>		0 PLC	± -	1 PLC	± -	2 PLC	± 0.20 [.008]	3 PLC	± -	4 PLC	± -	ANGLES	± -	PRODUCT SPEC -	APPLICATION SPEC -		
0 PLC	± -																
1 PLC	± -																
2 PLC	± 0.20 [.008]																
3 PLC	± -																
4 PLC	± -																
ANGLES	± -																
MATERIAL -		FINISH -	WEIGHT	SIZE A3	CAGE CODE 00779	DRAWING NO C-2331368	RESTRICTED TO -										
CUSTOMER DRAWING			SCALE NTS	SHEET 3 of 3	REV 1												