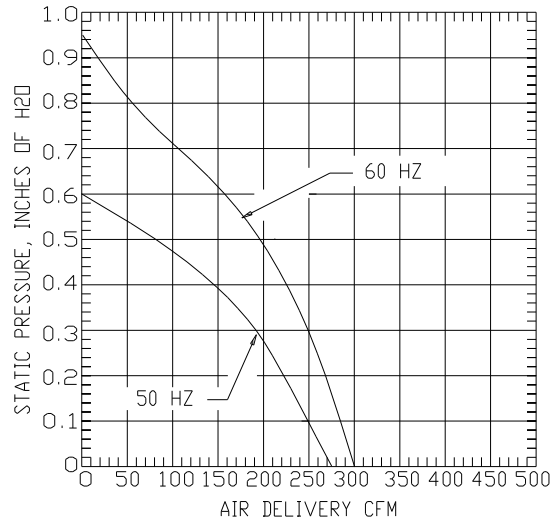
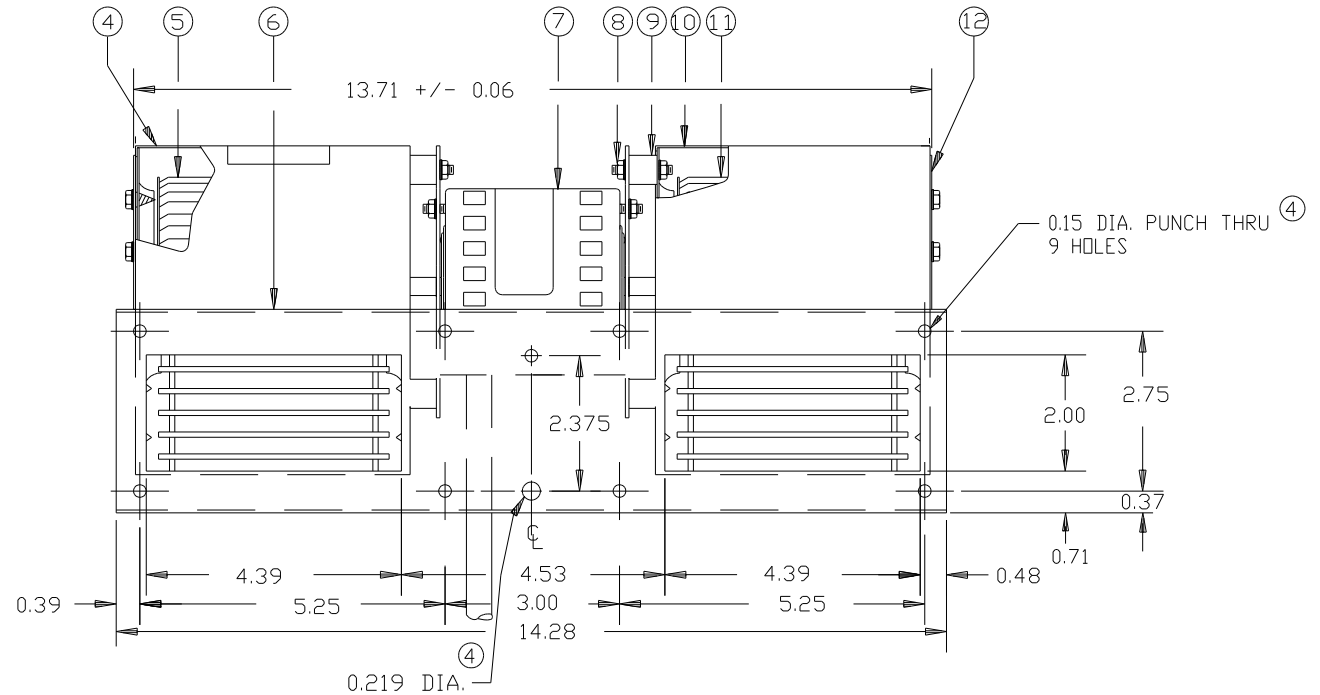
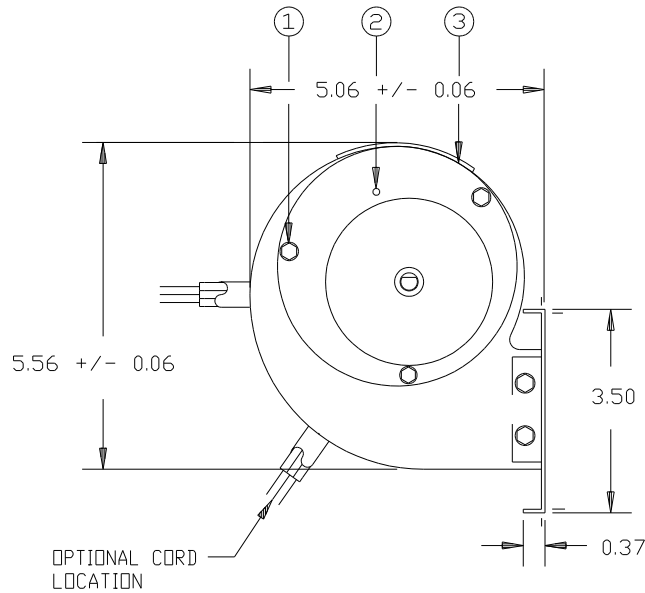
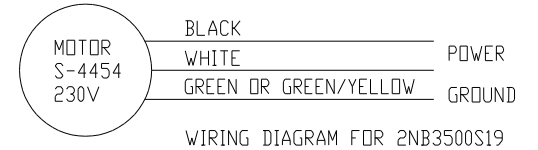
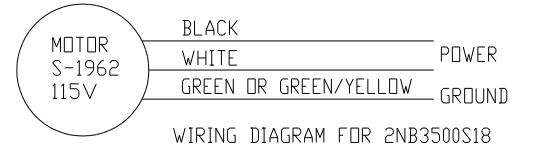


McLEAN ENG. PART NO.	ITEM	QTY	McLEAN ENG. PART NO.	DESCRIPTION
H308006AB	1	14	H308006AB	#8 SLOTTED HEX HD SMS W/SERRATIONS
M-5525-2	2	1	M-5525-2	INLET RING
M-1408-6GD	3	1	M-1408-6GD	McLEAN NAMEPLATE
M-6829-7	4	1	M-6829-7	BLOWER HOUSING
S-1961	5	1	S-1961	CCW BLOWER WHEEL
M-6024-5	6	1	M-6024-5	MOUNTING FLANGE
S-1962	7	1	S-4454	MOTOR
H20832AB	8	8	H20832AB	#8-32 SELF LOCKING NUT
S-1964	9	4	S-1964	CUSHION MOUNT
M-6829-6	10	1	M-6829-6	BLOWER HOUSING
S-1960	11	1	S-1960	CW BLOWER WHEEL
M-5525-1	12	1	M-5525-1	INLET RING
M-7012			M-7012-1	



NORMAL OPERATING CONDITIONS: 115 +/-10% VOLTS, 50/60 +/-1 HZ 1 PHASE  
 NORMAL OPERATING CONDITIONS: 230 +/-10% VOLTS, 50/60 +/-1 HZ 1 PHASE  
 TYPICAL PERFORMANCE OF 115V 50/60 HZ 1 PHASE NOMINAL  
 TYPICAL PERFORMANCE OF 230V 50/60 HZ 1 PHASE NOMINAL  
 SPEED 3300/2700 RPM  
 CURRENT 1.7 MIN. 2.2 AMPS. MAX.- 115V  
 0.7 MIN. 1.4 AMPS. MAX.- 230V

REV	DESCRIPTION	DATE	BY	CHK
1	REVISED & REDRAWN, WAS "B" SIZE	1-31-91	JR	
2	ADD McLEAN ENG. PART NO.	6-17-91	JR	
3	ADD NOTE 4	ECD90304 4-28-93	JR	
3	ADDED LRA DATA	JCOA0178 5-11-94	JR	
④	ADDED (2) HOLES	ECD92574 8-1-96	JR	das



NOTES:

- 1) CORD LENGTH 37" NOMINAL EXTENSION
- 2) NOMINAL NOISE MEASUREMENT: 64 dbA AT 3 FT.
- 3) MOTOR TO HAVE INTERNAL THERMAL OVERLOAD.
- ④) BLOWER WHEEL SET SCREW TO BE TORQUED TO 45 in-lb MINIMUM.
- 5) MOTOR LRA= 3.0/2.7 @ 50/60 HZ, 115V  
1.6/1.6 @ 50/60 HZ, 230V

McLEAN ENG. PART NO.	McLEAN MIDWEST PART NO.	MODEL NO.	VOLTAGE
M-7012-0	30-4019-01	2NB3500S18	115
M-7012-1	30-4019-02	2NB3500S19	230

UNLESS OTHERWISE SPECIFIED DIMENSIONS ARE IN INCHES. TOLERANCES:	DRAWN	DATE
DECIMALS .XXX +/- .031	JR	1-31-91
DECIMALS .XX +/- .031	CHECKED	DATE
DECIMALS .X +/- .050	AM	1-28-91
ANGULAR +/- 1/2 DEGREE	PROJECT ENG.	DATE
MATERIAL:	SEW	1-25-91
FLAT SHEET:	APPROVED	DATE

CAD FILE: 30401901

**ZERO** **McLEAN MIDWEST**  
 SUBSIDIARY OF ZERO CORPORATION

TITLE: BLOWER ASSY, 2NB3500S18 & S19 (115V & 230V)

SIZE: \_\_\_\_\_ DWG. NO. 30-4019-01  
 SCALE: NONE SHEET: 1 OF 1