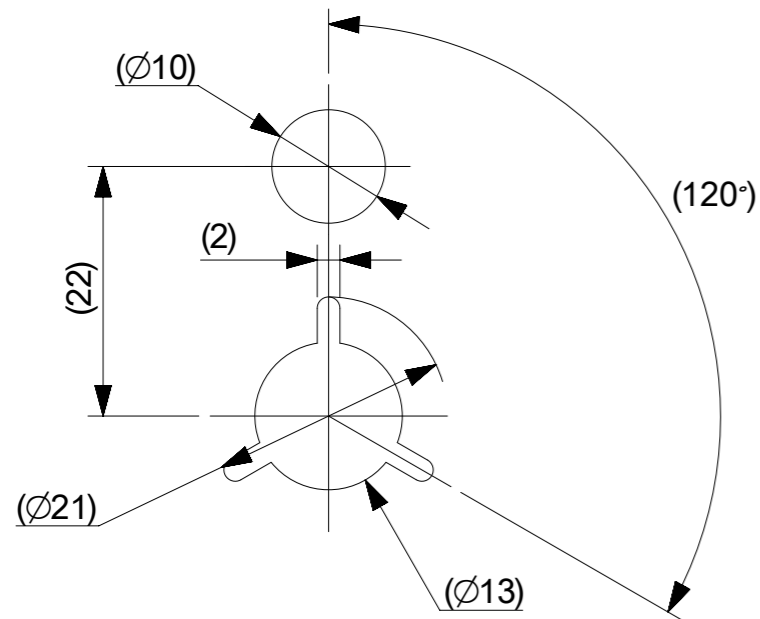
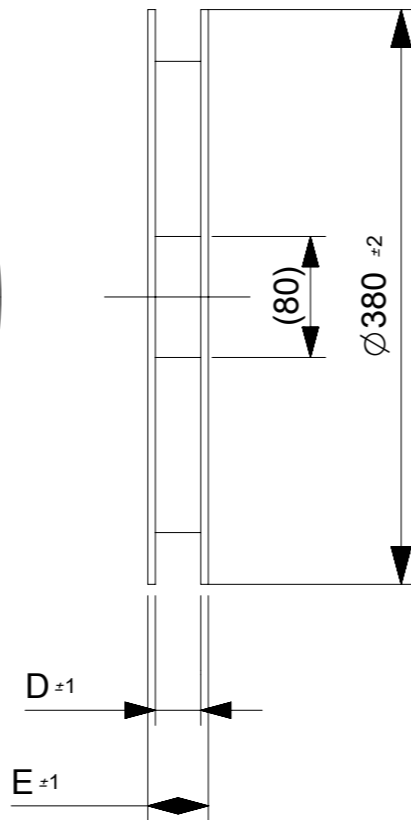
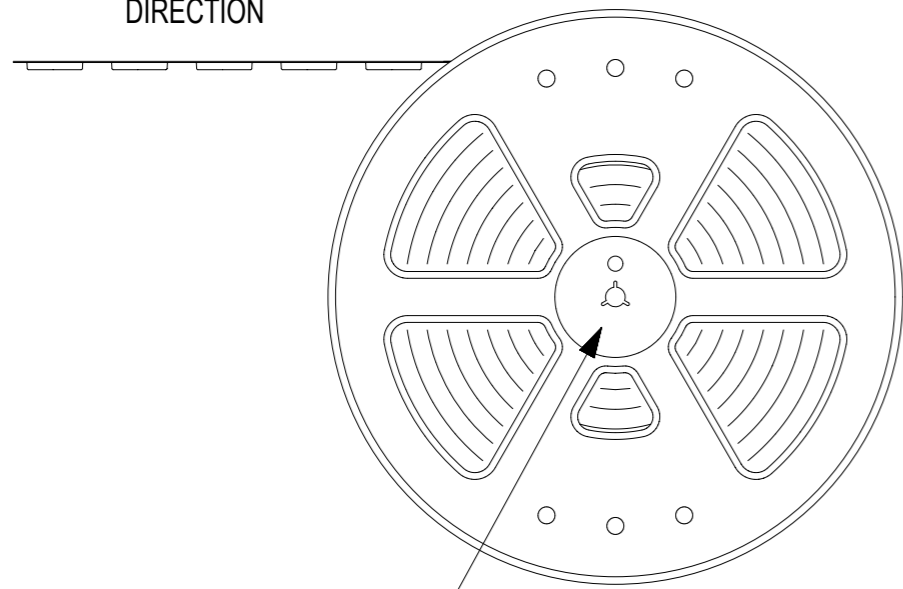


引き出し方向

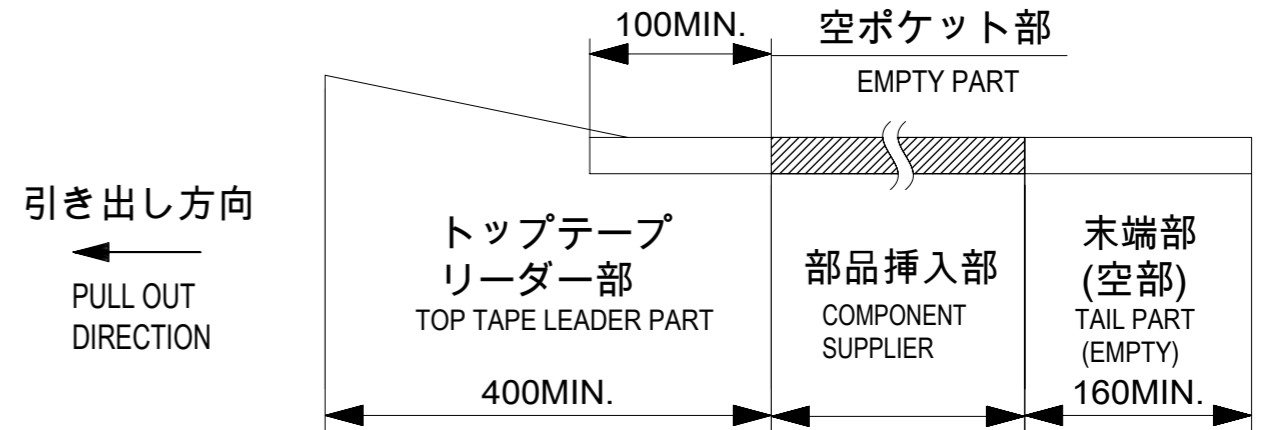
PULL OUT
DIRECTION



DETAIL "E"

NOTES

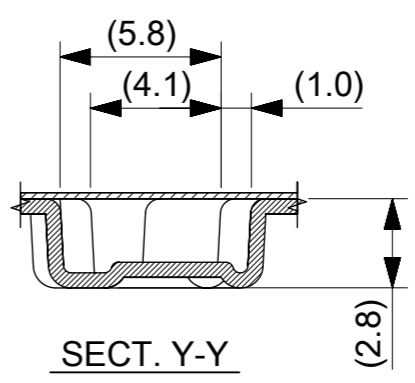
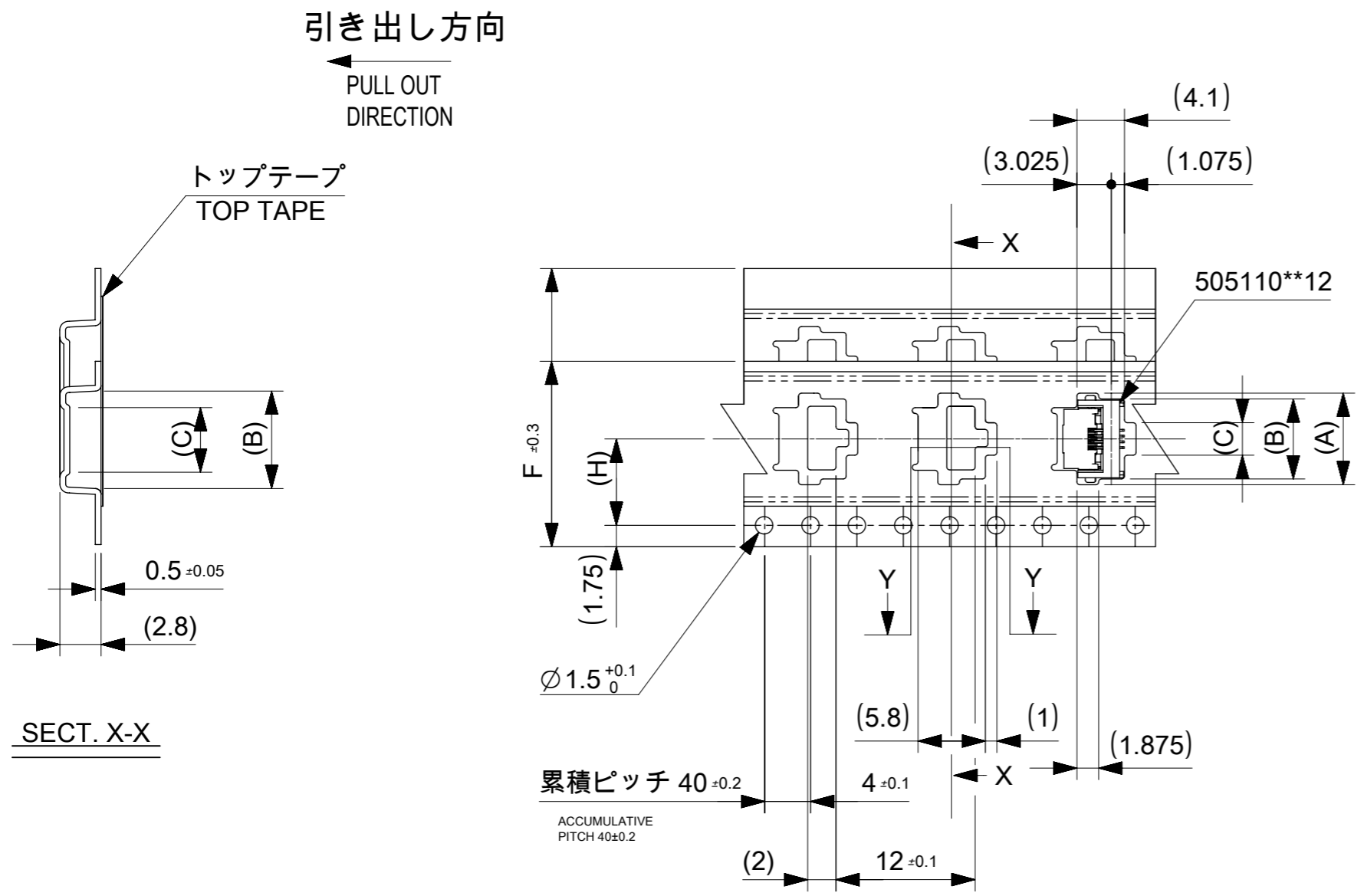
- 梱包数量 : 3000個 / リール
NUMBER OF CONNECTORS : 3000 PCS/REEL.
- リードテープ長さ
LEAD TAPE LENGTH



- カバーテープの剥離強度については、IEC60286-3に準拠。
COVER TAPE PEEL FORCE IS DEFINED BY IEC 60286-3.
- 製品詳細寸法については、図面 5051101001-000を参照下さい。
FOR DIMENSIONS OF PRODUCT, REFER TO 5051101001-000.
- 材料 MATERIAL
キャリアテープ : ポリスチレン
CARRIER TAPE : POLYSTYRENE
トップテープ : ポリエチレンテレフタレート、ポリエチレン
TOP TAPE : POLYETHYLENE TEREPHTHALATE, POLYETHYLENE
リール : ポリスチレン<リサイクル材を含む>
REEL : POLYSTYRENE <RECYCLE MATERIAL CONTAINED >
- ELV及びRoHS適合品 ELV AND RoHS COMPLIANT.

THIS DRAWING CONTAINS INFORMATION THAT IS PROPRIETARY TO MOLEX INCORPORATED AND SHOULD NOT BE USED WITHOUT WRITTEN PERMISSION

EC DESCRIPTION EC NO: 100528 DRWN: NKONDO CHK'D: KMORIKAWA APPR: KMORIKAWA	2015/06/30 2015/06/30 2015/06/30	QUALITY SYMBOLS ▽ = 0 ▽ = 0 ▽ = 0 ▼ = 0 ▽ = 0 ☒ = 0 ■ = 0 ▽ = 0	GENERAL TOLERANCES (UNLESS SPECIFIED)		DIMENSION UNITS mm	SCALE 2:1							
	DRWN BY DATE FSATO 2015/04/30		ANGULAR TOL ± 1.0 °		CHK'D BY DATE KTAKAHASHI 2015/06/30						0.5 FPC CONN ZIF E/O 2 CONT TYPE EMB PKG		
	APPR BY DATE KMORIKAWA 2015/06/30		4 PLACES ± 0.05 3 PLACES ± 0.1 2 PLACES ± 0.2 1 PLACE ± 0.2 0 PLACES ± 0.2		DRAFT WHERE APPLICABLE MUST REMAIN WITHIN DIMENSIONS		DRAWING SIZE THIRD ANGLE PROJECTION A3		PRODUCT CUSTOMER DRAWING				
	EC NO: 100528 DRWN: NKONDO CHK'D: KMORIKAWA APPR: KMORIKAWA		DRAFT WHERE APPLICABLE MUST REMAIN WITHIN DIMENSIONS		DRAWING SIZE THIRD ANGLE PROJECTION A3		SERIES MATERIAL NUMBER CUSTOMER 505110 SEE SHEET 2 GENERAL						
DOCUMENT NUMBER 5051100001		DOC TYPE PSD		DOC PART 000		SHEET NUMBER 1 OF 2							



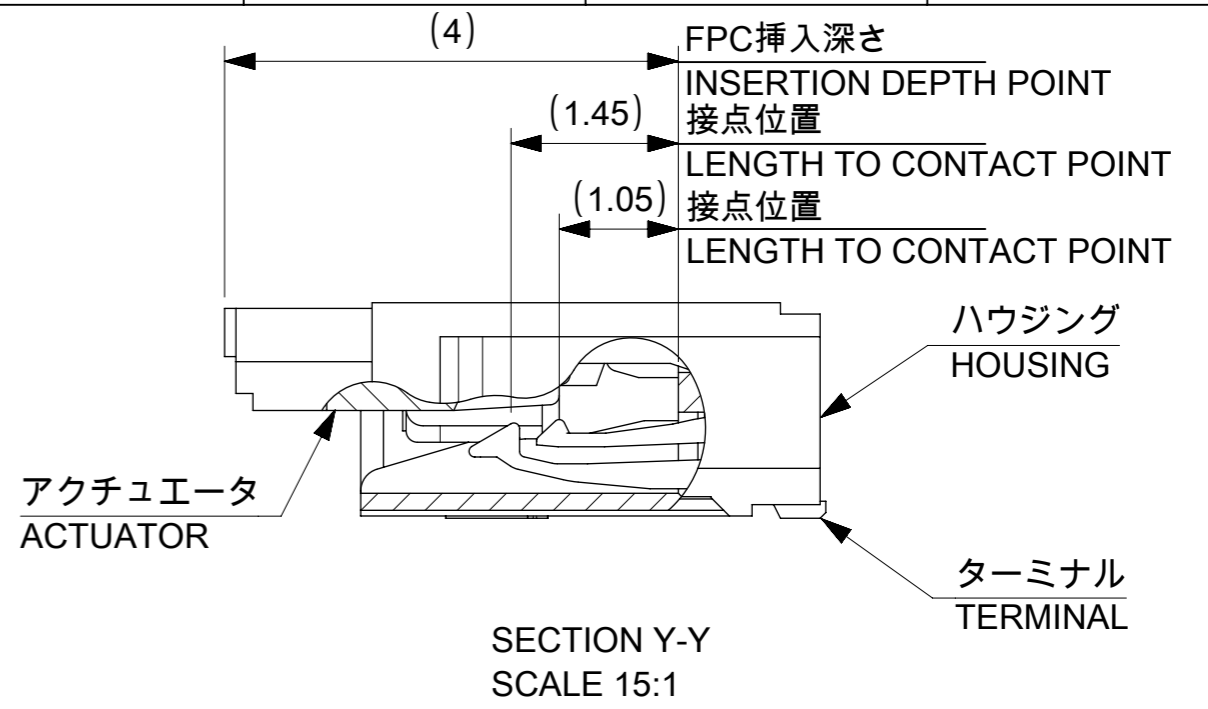
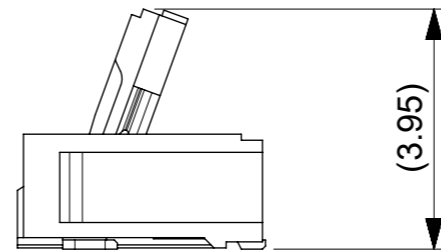
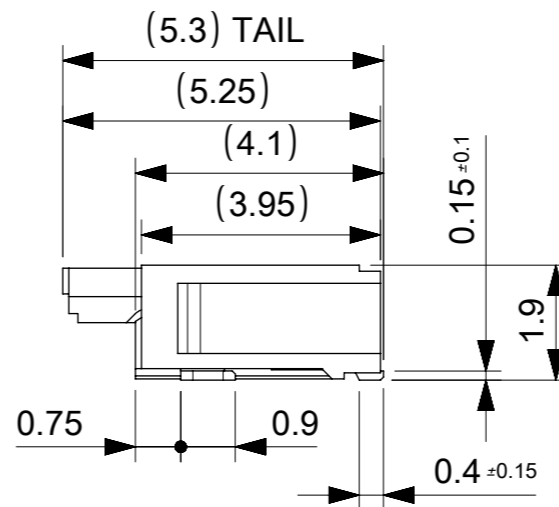
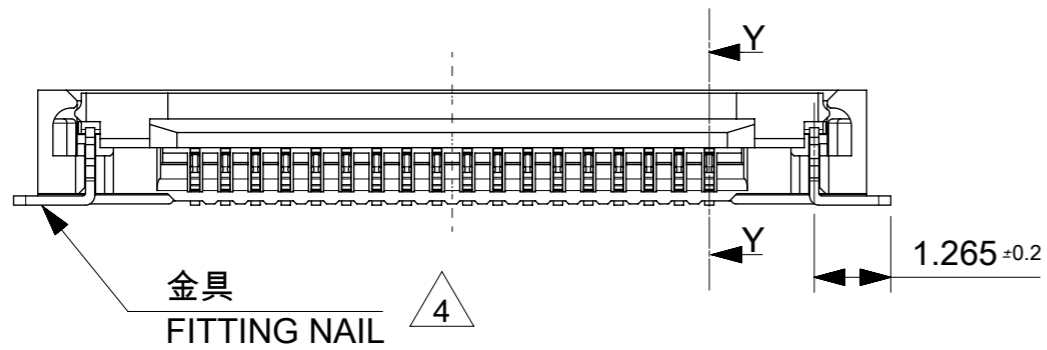
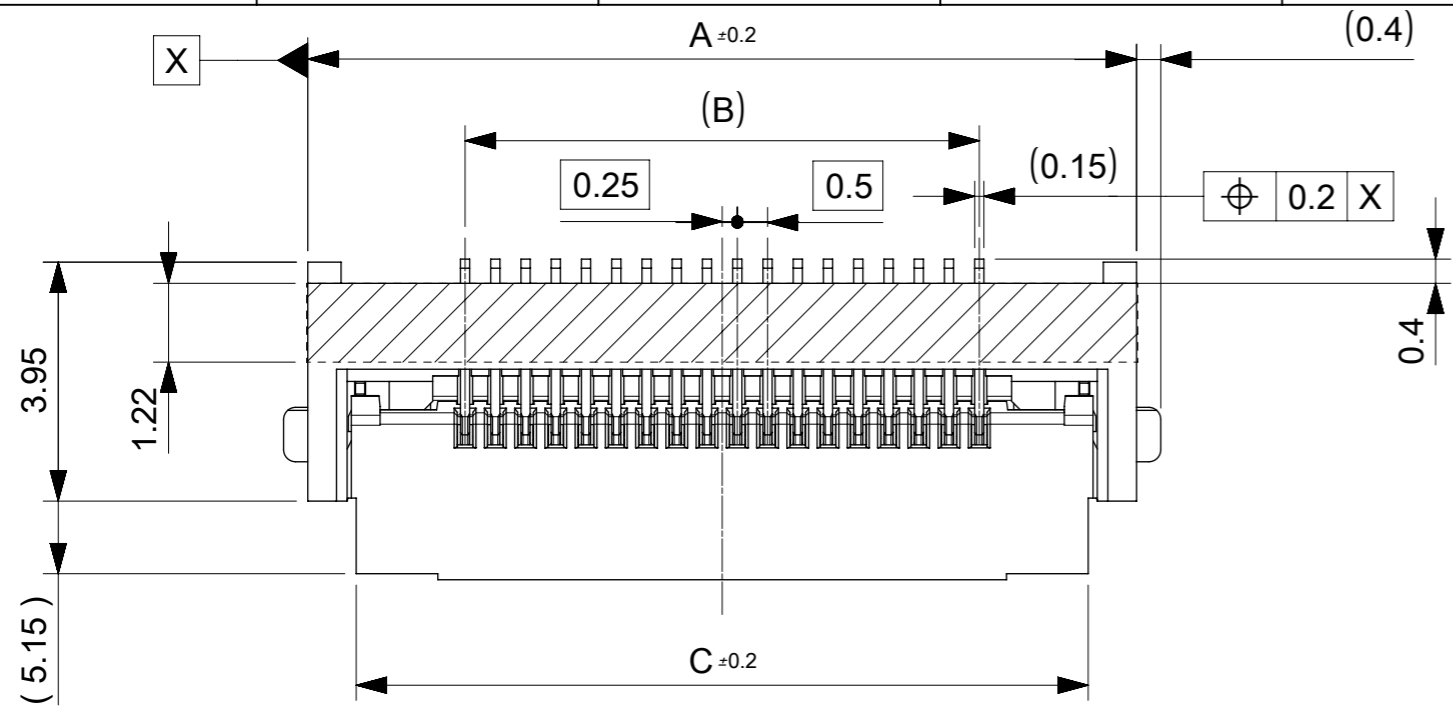
SECT. X-X

11.5	24	29.4	25.4	10.4	14.4	15.5	5051101992	19	
				9.9	13.9	15.0	5051101892	18	
				9.4	13.4	14.5	5051101792	17	
				8.9	12.9	14.0	5051101692	16	
				8.4	12.4	13.5	5051101592	15	
				7.9	11.9	13.0	5051101492	14	
				7.4	11.4	12.5	5051101392	13	
				6.9	10.9	12.0	5051101292	12	
				6.4	10.4	11.5	5051101192	11	
				5.9	9.9	11.0	5051101092	10	
				5.4	9.4	10.5	5051100992	9	
				4.9	8.9	10.0	5051100892	8	
				4.4	8.4	9.5	5051100792	7	
3.9	7.9	9.0	5051100692	6					
3.4	7.4	8.5	5051100592	5					
7.5	16	21.4	17.4	2.9	6.9	8.0	5051100492	4	
H	F	E	D	C	B	A	EMBOSSED PACKAGE		
							オーダー番号 ORDER NO.		Ckt

CONNECTOR NO. 505110**12

THIS DRAWING CONTAINS INFORMATION THAT IS PROPRIETARY TO MOLEX INCORPORATED AND SHOULD NOT BE USED WITHOUT WRITTEN PERMISSION

EC NO: 100528 DRWN: NKONDO CHK'D: KMORIKAWA APPR: KMORIKAWA	2015/06/30 2015/06/30 2015/06/30	QUALITY SYMBOLS □ = 0 ▽ = 0 ▽ = 0 ▽ = 0 ▽ = 0 ▽ = 0 ▽ = 0 ▽ = 0 ▽ = 0 ▽ = 0	GENERAL TOLERANCES (UNLESS SPECIFIED)		DIMENSION UNITS: mm SCALE: 2:1						
	DRWN BY: FSATO DATE: 2015/04/30		ANGULAR TOL ± 1.0 °		DRWN BY: FSATO DATE: 2015/04/30						0.5 FPC CONN ZIF E/O 2 CONT TYPE EMB PKG
	CHK'D BY: KTAKAHASHI DATE: 2015/06/30		4 PLACES ± 0.05 3 PLACES ± 0.1 2 PLACES ± 0.2 1 PLACE ± 0.2 0 PLACES ± 0.2		CHK'D BY: KTAKAHASHI DATE: 2015/06/30		PRODUCT CUSTOMER DRAWING				
	APPR BY: KMORIKAWA DATE: 2015/06/30		DRAFT WHERE APPLICABLE MUST REMAIN WITHIN DIMENSIONS		APPR BY: KMORIKAWA DATE: 2015/06/30						SERIES: 505110 MATERIAL NUMBER: SEE CHART CUSTOMER: GENERAL

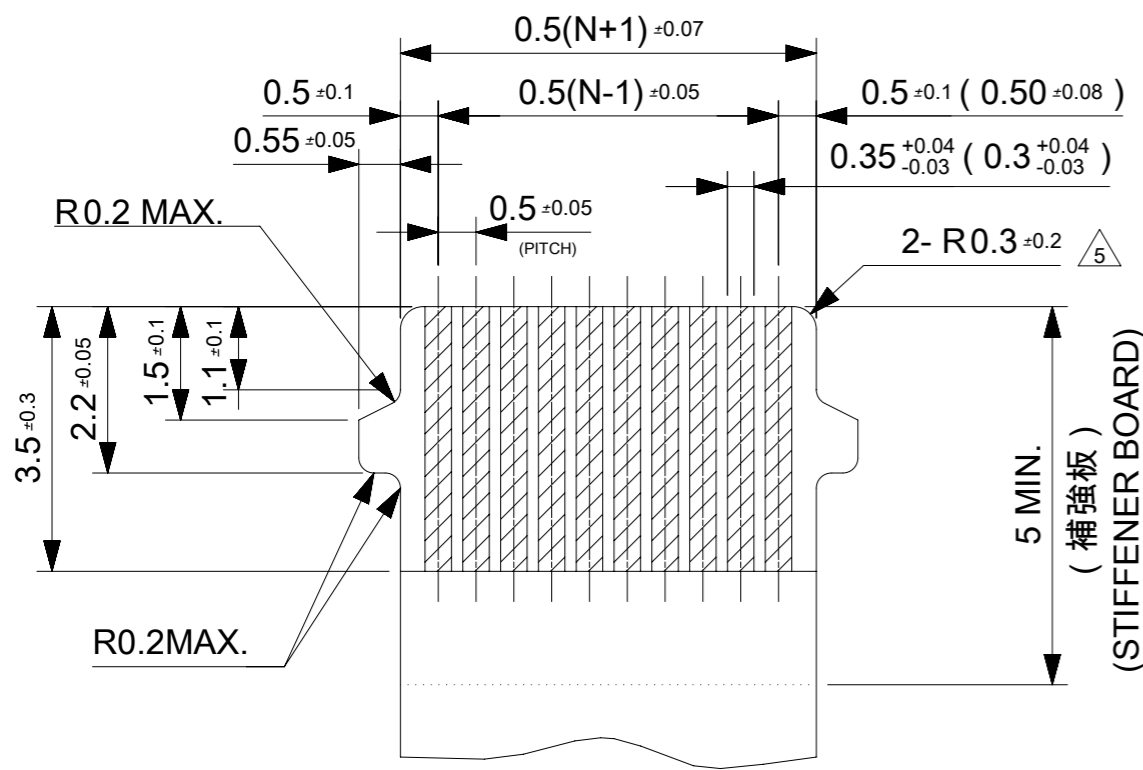


12.6	9.0	14.2	5051101992	19
12.1	8.5	13.7	5051101892	18
11.6	8.0	13.2	5051101792	17
11.1	7.5	12.7	5051101692	16
10.6	7.0	12.2	5051101592	15
10.1	6.5	11.7	5051101492	14
9.6	6.0	11.2	5051101392	13
9.1	5.5	10.7	5051101292	12
8.6	5.0	10.2	5051101192	11
8.1	4.5	9.7	5051101092	10
7.6	4.0	9.2	5051100992	9
7.1	3.5	8.7	5051100892	8
6.6	3.0	8.2	5051100792	7
6.1	2.5	7.7	5051100692	6
5.6	2.0	7.2	5051100592	5
5.1	1.5	6.7	5051100492	4
C	B	A	EMBOSSED PACKAGE オーダー番号 ORDER NO.	Ckt

CONNECTOR SERIES NO. 505110** 12

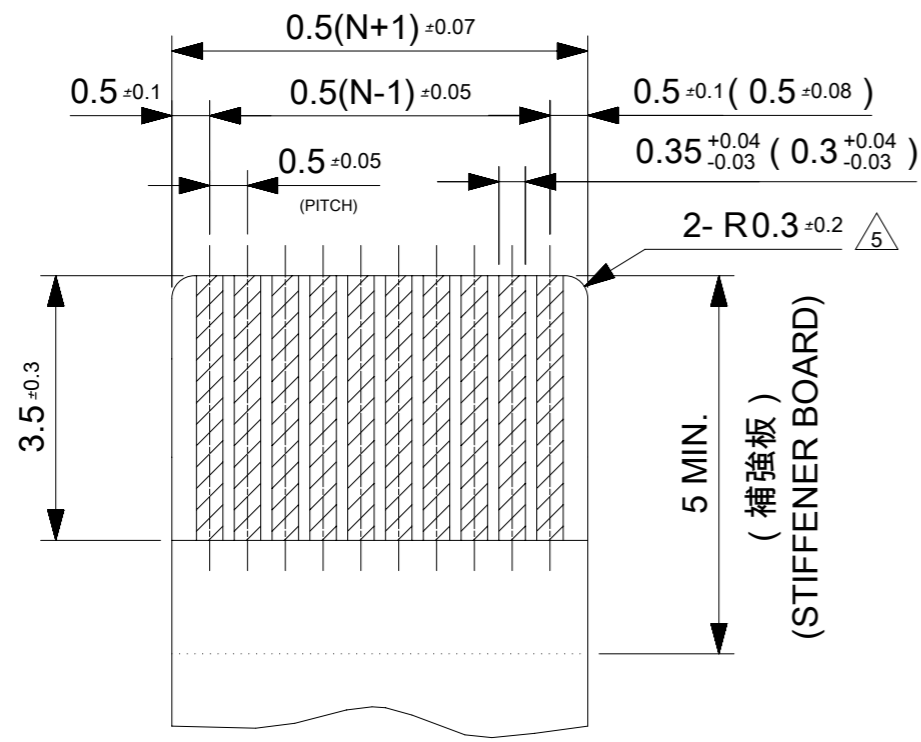
THIS DRAWING CONTAINS INFORMATION THAT IS PROPRIETARY TO MOLEX ELECTRONIC TECHNOLOGIES, LLC AND SHOULD NOT BE USED WITHOUT WRITTEN PERMISSION

EC NO: 117930 DRWN: JASANUMA CHK'D: YKOBAYASHI02 APPR: TKUSUHARA01	2017/06/09 2017/06/12 2017/06/12	GENERAL TOLERANCES (UNLESS SPECIFIED)		DIMENSION UNITS	SCALE			
		ANGULAR TOL ± 1.0 °		MM	8:1			
		4 PLACES ± 0.05	3 PLACES ± 0.1	DRWN BY	DATE			
		2 PLACES ± 0.2	1 PLACE ± 0.2	FSATO	2015/04/30			
0 PLACES ± 0.2		CHK'D BY	DATE	PRODUCT CUSTOMER DRAWING				
DRAFT WHERE APPLICABLE MUST REMAIN WITHIN DIMENSIONS		KTAKAHASHI	2015/06/30	SERIES		MATERIAL NUMBER	CUSTOMER	
		APPR BY	DATE	505110		SEE CHART	GENERAL	
		K MORIKAWA 2015/06/30		DRAWING SIZE		THIRD ANGLE PROJECTION		
		A3		5051101001		DOC TYPE	DOC PART	SHEET NUMBER
		PSD 000		1 OF 3				



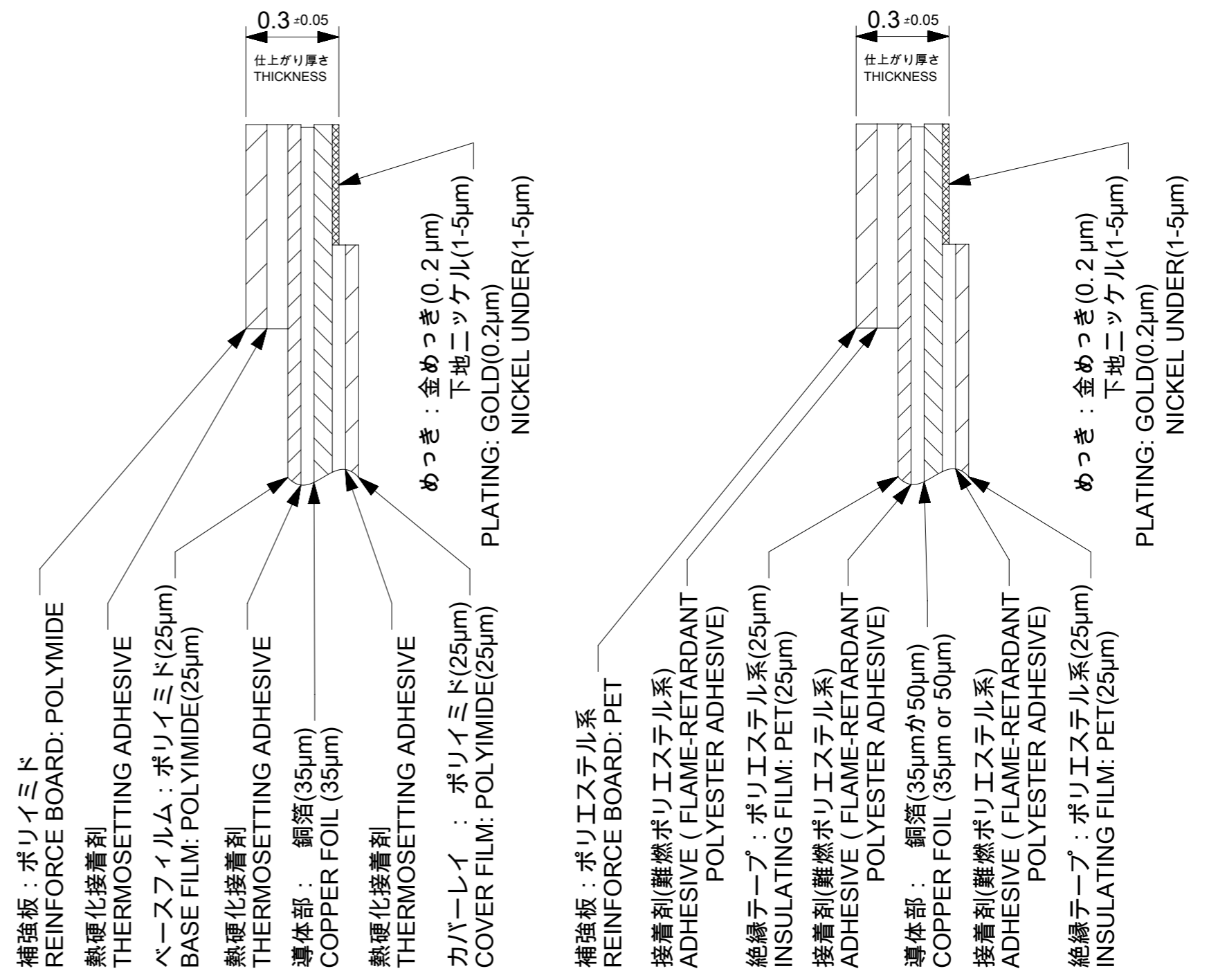
適合FPC/FFC推奨寸法
APPLICABLE FPC/FFC
RECOMMENDED DIMENSION

(): FFCに適合
(): APPLY TO FFC



耳無し適合FPC/FFC推奨寸法
APPLICABLE NON-TAB FPC/FFC
RECOMMENDED DIMENSION

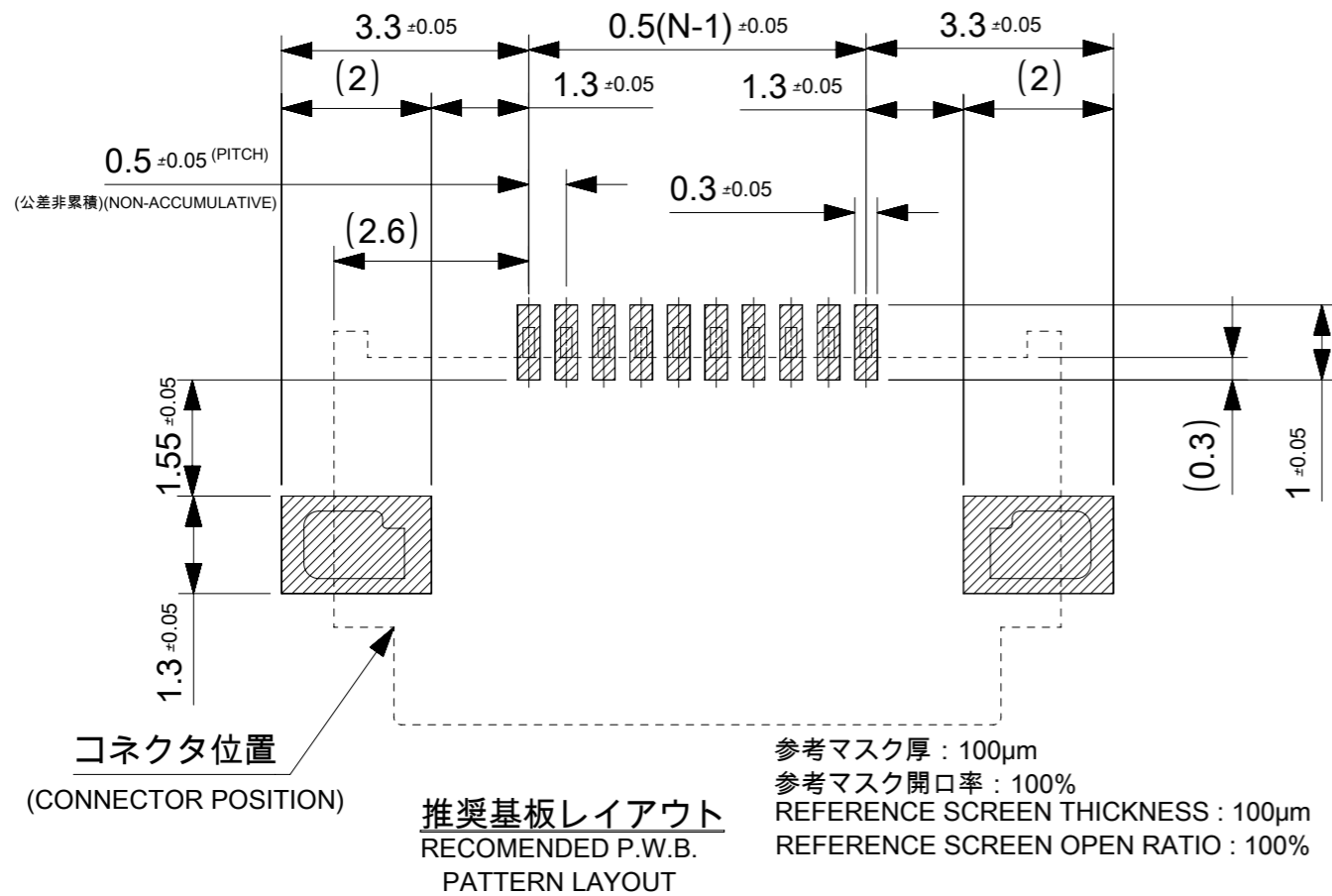
(): FFCに適合
(): APPLY TO FFC



FPC構成推奨仕様
STRUCTURE OF FPC

FFC構成推奨仕様
STRUCTURE OF FFC

THIS DRAWING CONTAINS INFORMATION THAT IS PROPRIETARY TO MOLEX ELECTRONIC TECHNOLOGIES, LLC AND SHOULD NOT BE USED WITHOUT WRITTEN PERMISSION													
REVISED	EC NO: 117930	2017/06/09	GENERAL TOLERANCES (UNLESS SPECIFIED)		DIMENSION UNITS	SCALE							
	DRWN: JASANUMA	2017/06/12	ANGULAR TOL ± 1.0 °		MM	≠≠							
	CHK'D: YKOBAYASHI02	2017/06/12	4 PLACES	± 0.05	DRWN BY	DATE							
	APPR: TKUSUHARA01	2017/06/12	3 PLACES	± 0.1	CHK'D BY	DATE							
			2 PLACES	± 0.2	APPR BY	DATE							
		1 PLACE	± 0.2	KMORIKAWA 2015/06/30		PRODUCT CUSTOMER DRAWING							
		0 PLACES	± 0.2	DRAFT WHERE APPLICABLE MUST REMAIN WITHIN DIMENSIONS		DRAWING SIZE		THIRD ANGLE PROJECTION			SERIES	MATERIAL NUMBER	CUSTOMER
						A3				505110	SEE SHEET 1	GENERAL	
									DOCUMENT NUMBER		DOC TYPE	DOC PART	SHEET NUMBER
									5051101001		PSD	000	2 OF 3



FPC/FFCについて ABOUT FPC/FFC

打ち抜き方向は導体側から補強板側を推奨します。
 導体部については軟箔銅35µmまたは50µmを推奨します。
 FFCに規定された定格温度がFFC単体前提である場合が御座います。
 コネクタと組み合わせての実使用において、接着層が劣化するなどの信頼性を満足できないケースを回避するため、
 実機での評価/確認をお願いいたします。
 RECOMMENDED PUNCHING DIRECTION : FROM CONDUCTOR SIDE TO STIFFENER SIDE
 RECOMMENDED CONDUCTOR SPEC : SOFT COPPER FOIL
 RECOMMENDED CONDUCTOR THICKNESS : 35 MICROMETER OR 50 MICROMETER
 NOTE: WHEN ACTUALLY USING IT WITH CONNECTOR, PLEASE DO THE EVALUATION AND THE CONFIRMATION WITH AN ACTUAL EQUIPMENT TO EVADE THE CASE WHERE RELIABILITY CANNOT BE FILLED (THE ADHESIVE LINE OF FFC IS DETERIORATED ETC.)

FPCについて ABOUT FPC

補強フィルム材質はポリイミドを推奨します。ベースフィルムは25µmを推奨します。
 接着剤は熱硬化接着剤を推奨します。
 尚、接着剤の接点部への付着は導通不良の原因になりますので、染み出しが無い様お願い致します。
 RECOMMENDED MATERIAL/THICKNESS.
 RECOMMENDED STIFFENER MATERIAL: POLYIMIDE
 RECOMMENDED BASE FILM THICKNESS: 25 MICROMETER
 RECOMMENDED ADHESIVE: THERMOSETTING ADHESIVE
 NOTE: PLEASE PUT APPROPRIATE AMOUNT OF ADHESIVE ON ADHEREND BECAUSE THERE IS A POSSIBILITY THAT THE EXTRA ADHESIVE CAUSES THE DEFECT IN ELECTRICAL CONTINUITY.
 THERE IS A POSSIBILITY THAT THE PRESCRIPT TEMPERATURE OF FFC IS SET TO SINGLE IT.

注記 NOTES

- 1.使用材料 MATERIAL
 ハウジング : 液晶ポリマー ガラス充填、UL94V-0(ベージュ)
 HOUSING : LIQUID CRYSTAL POLYMER GLASS FILLED, UL94V-0(BEIGE)
 アクチュエータ : ポリアミド ガラス充填、UL94V-0(黒)
 ACTUATOR : POLYAMIDE GLASS FILLED, UL94V-0(BLACK)
 ターミナル : リン青銅(t=0.15)
 TERMINAL : PHOSPHOR BRONZE
 金具 : リン青銅(t=0.15)
 FITTING NAIL : PHOSPHOR BRONZE
- 2.めっき仕様 PLATING
 ターミナル TERMINAL
 コントクト部 : 部分金めっき (0.05µm以上)
 テール部 : 部分金めっき
 下地: ニッケルめっき (1.0µm以上)
 CONTACT AREA : SEPARATED GOLD PLATING (0.05 MICROMETER MINIMUM)
 SOLDER TAIL AREA : SEPARATED GOLD PLATING
 UNDERPLATE : NICKEL OVERALL (1.0 MICROMETER MINIMUM)
 金具 FITTING NAIL
 錫めっき(1.0µm以上)
 下地: ニッケルめっき (1.0µm以上)
 TIN PLATING (1.0 MICROMETER MIN.)
 UNDER PLATING : NICKEL PLATING (1.0 MICROMETER MIN.)
- 3.エンボステーパ梱包時は、アクチュエータが閉じた状態とする。
 IN THE PACKAGE, ACTUATOR OF PART SHOULD BE CLOSED.
4. パターン剥離止め用金具
 FITTING NAIL FOR PREVENTION OF PEELING OF P.C.B. PATTERN.
5. R0.3はFPC/FFC導体部にかからないこと。
 R0.3 MUST NOT BE OVERLAPPED TO PATTERN OF FPC/FFC.
- 6.N:極数 N:CIRCUIT.
- 7.ELV及びRoHS適合品
 ELV AND RoHS COMPLIANT
- 8.テールと金具を併せた平坦度は0.1以下とする。
 TAILS AND NAILS COPLANALITY TO BE 0.1 MAX.

THIS DRAWING CONTAINS INFORMATION THAT IS PROPRIETARY TO MOLEX ELECTRONIC TECHNOLOGIES, LLC AND SHOULD NOT BE USED WITHOUT WRITTEN PERMISSION									
REVISED	EC NO: 117930	DRWN: JASUNUMA	CHK'D: YKOBAYASHI02	APPR: TKUSUHARA01	2017/06/09	2017/06/12	2017/06/12	GENERAL TOLERANCES (UNLESS SPECIFIED)	
	4 PLACES		± 0.05		ANGULAR TOL ± 1.0 °		DIMENSION UNITS		
	3 PLACES		± 0.1		MM		SCALE		
	2 PLACES		± 0.2		10:1		DRWN BY		
	1 PLACE		± 0.2		DATE		DATE		
0 PLACES		± 0.2		DATE		DATE			
DRAFT WHERE APPLICABLE MUST REMAIN WITHIN DIMENSIONS					DRAWING SIZE		THIRD ANGLE PROJECTION		
					A3				
							0.5 FPC CONN ZIF E/O 2CONT TYPE HSG ASSY		
PRODUCT CUSTOMER DRAWING									
SERIES		MATERIAL NUMBER			CUSTOMER				
505110		SEE SHEET 1			GENERAL				
DOCUMENT NUMBER				DOC TYPE		DOC PART		SHEET NUMBER	
5051101001				PSD		000		3 OF 3	