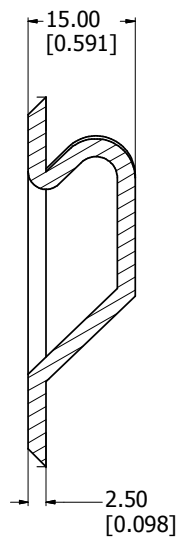
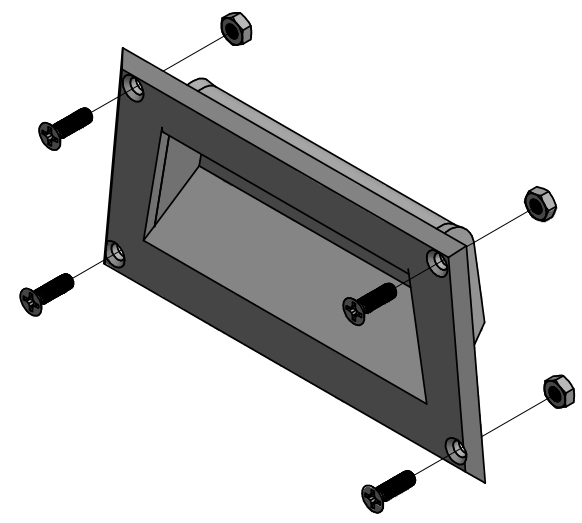


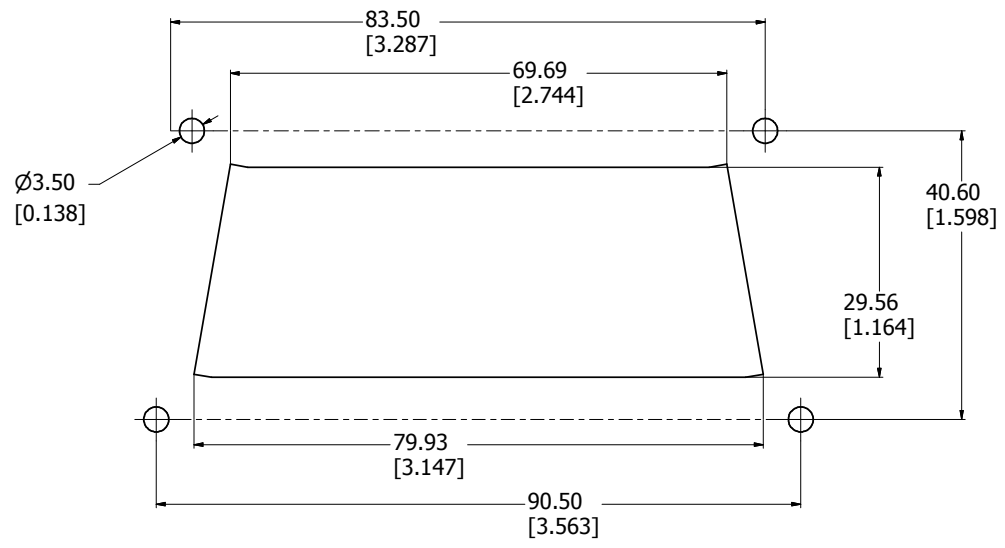
FRONT VIEW



SECTION A



EXPLODED VIEW OF ASSEMBLY



MOUNTING OPENING

1427R
Handle Material - ABS Plastic
Finish - Grey Plastic
Hardware
2 Screws - Panhead M3 x 10
2 Nuts - M3
**note handle sold singly



**HAMMOND
MANUFACTURING™**

1427R