

CHARACTERISTICS

CONTACT ARRANGEMENT: SPST-NO-DB (FORM X)

TRAVEL (NOMINAL): $\frac{2.3}{.09}$

OPERATING FORCE (NOMINAL): 306 GRAMS

PANEL THICKNESS (MAX): $\frac{3.0}{.12}$

CONTACTS: GOLD PLATED PALLADIUM NICKEL

ELECTRICAL RATING (TYP):
 400 mA @ 32 V.A.C. RESISTIVE
 100 mA @ 50 V.D.C. RESISTIVE
 125 mA @ 125 V.A.C. RESISTIVE

CONTACT RESISTANCE (MAX): 50 MILLIOHMS

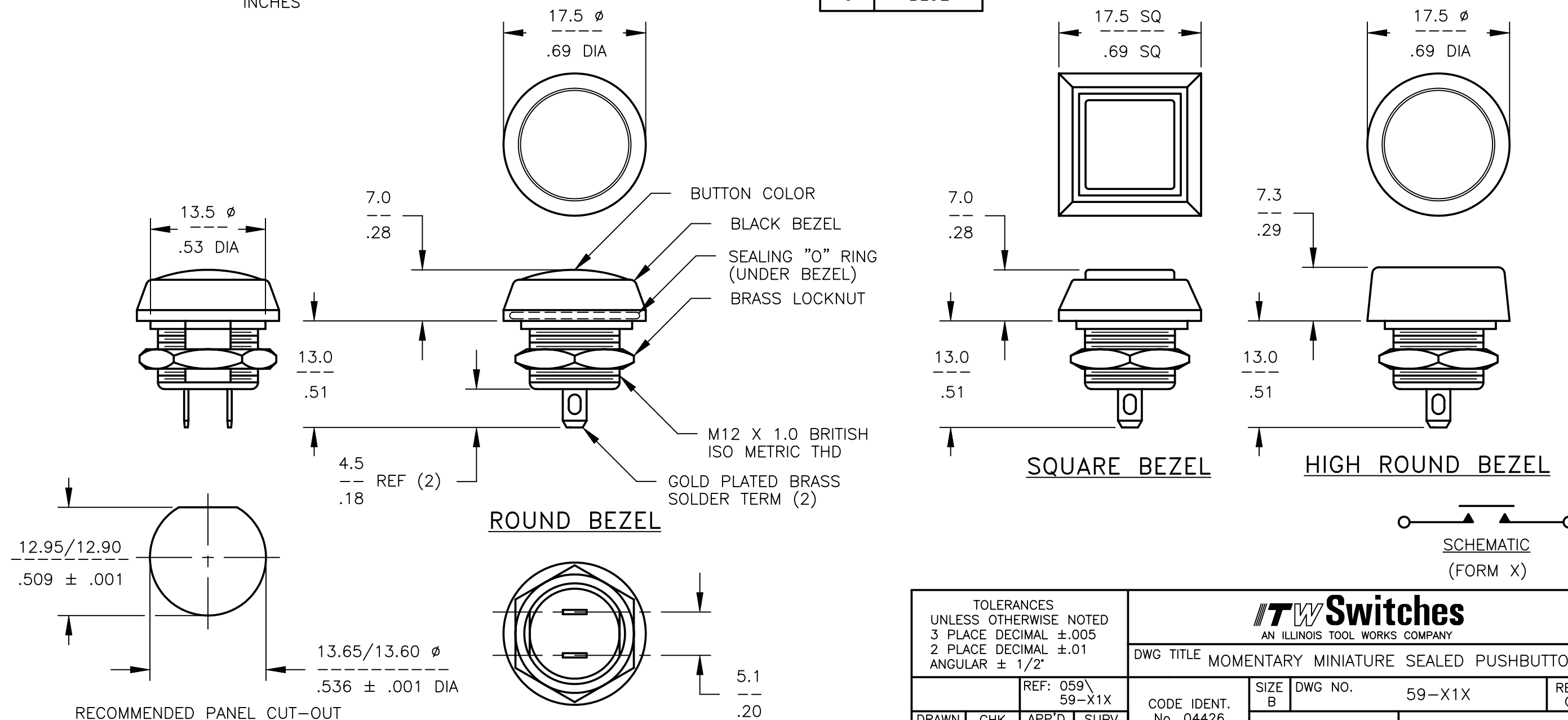
ALL DIMENSIONS ARE IN $\frac{\text{MILLIMETERS}}{\text{INCHES}}$

59-X1X

THIS DOCUMENT WAS DOWNLOADED FROM www.itwswitches.com AND ITS CONTENT IS SUBJECT TO CHANGE WITHOUT NOTICE. PLEASE CONTACT CUSTOMER SERVICE TO VERIFY CURRENT SPECIFICATIONS AND DIMENSIONS.

CODE	BEZEL STYLE
1	STANDARD ROUND
2	STANDARD SQUARE
3	HIGH ROUND

CODE	BUTTON COLOR
1	BLACK
2	RED
3	GREEN
4	WHITE
5	YELLOW
6	BLUE



TOLERANCES UNLESS OTHERWISE NOTED 3 PLACE DECIMAL ±.005 2 PLACE DECIMAL ±.01 ANGULAR ± 1/2°				ITW Switches AN ILLINOIS TOOL WORKS COMPANY				
				DWG TITLE MOMENTARY MINIATURE SEALED PUSHBUTTON				
		REF: 059\	59-X1X		CODE IDENT.	SIZE	DWG NO.	REV
				No. 04426	B	59-X1X	G	
DRAWN	CHK	APP'D	SUPV	SCALE 2 : 1		SHEET 1 OF 1		
lar	ERR	ERR	BD					