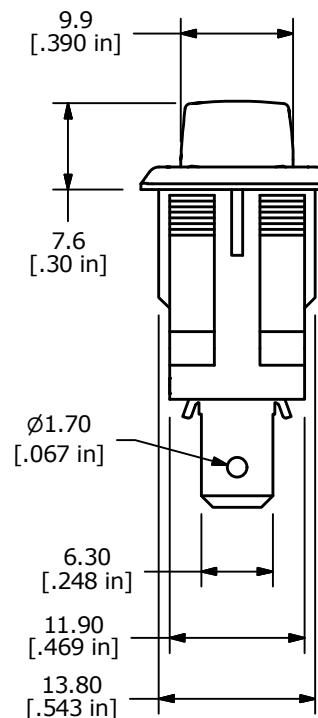
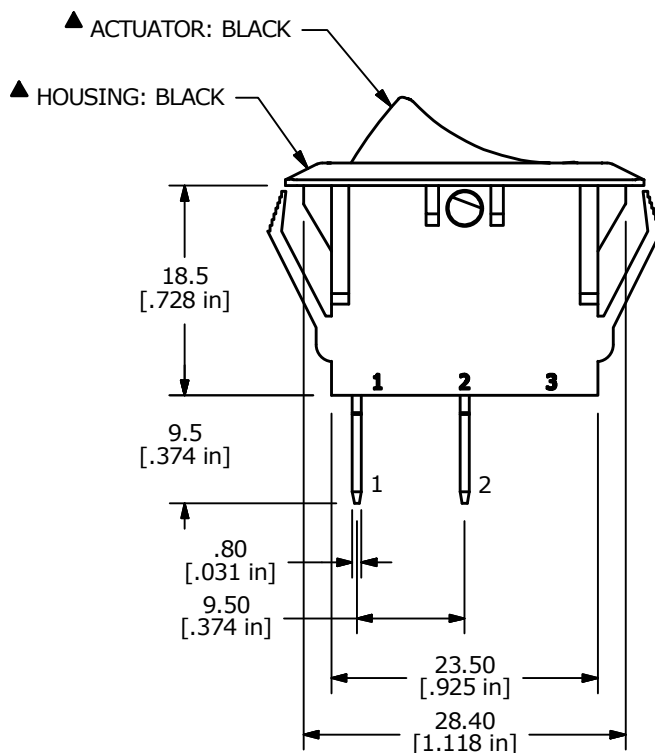
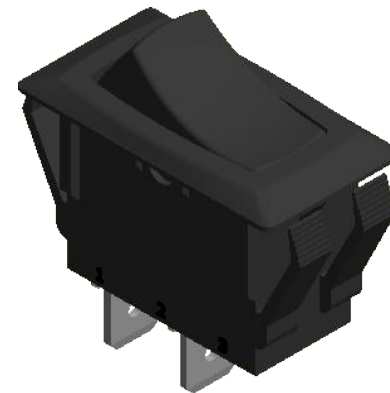
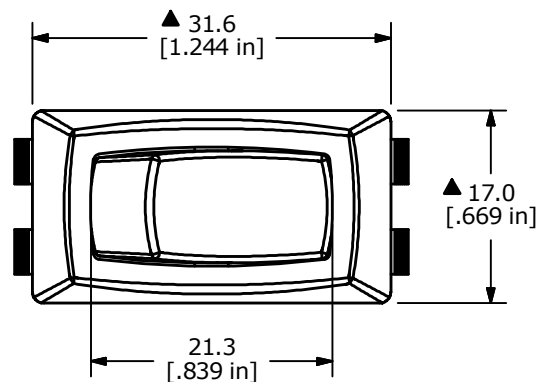


SWITCH FUNCTION	
POS. 1	POS. 2
OFF	(ON)
NONE	1-2

(ON)=MOMENTARY



NOTES:

1. ALL DIMENSIONS IN MM [INCH]
2. GENERAL TOLERANCE: X.X=±0.4  
X.XX=±0.25
3. TERM. NOS. FOR REF. ONLY
- ▲ 4. RATING: 20A @125VAC 3/4HP T105 [cURus]  
15A @125VAC [cURus]  
16(4)A @250VAC T125/55 [ENEC]
5. ELECTRICAL LIFE: 10,000 CYCLES MIN.
6. CONTACT RESISTANCE: 20 mΩ MAX.
7. OPERATING TEMP: -20°C TO 65°C [cURus]  
-20°C TO 105°C [cURus]  
0°C TO 85°C [ENEC, VDE]  
0°C TO 125°C [ENEC, VDE]
8. DIELECTRIC STRENGTH: >1,000V AC 1MIN
9. INSULATION RESISTANCE: 100 MΩ @ 500VDC
10. ▲ DENOTES CRITICAL PARAMETER.
11. 2011/65/EU (ROHS) COMPLIANT.



D	23417	ADDED 20A @125VAC 3/4HP RATING	6/21/18	MJR
C	23370	REMOVED 20A @125VAC 3/4HP RATING	5/17/18	MJR
REV	PCR NO	DESCRIPTION	DATE	BY

TITLE RSC144D1100				
SCALE	DATE	DR	DWG	REV
3:2	6/10/2015	MW	38-RSC144D1100	D

THE INFORMATION CONTAINED IN THIS DOCUMENT IS PROPRIETARY TO E-SWITCH AND IS NOT TO BE COPIED OR TRANSFERRED