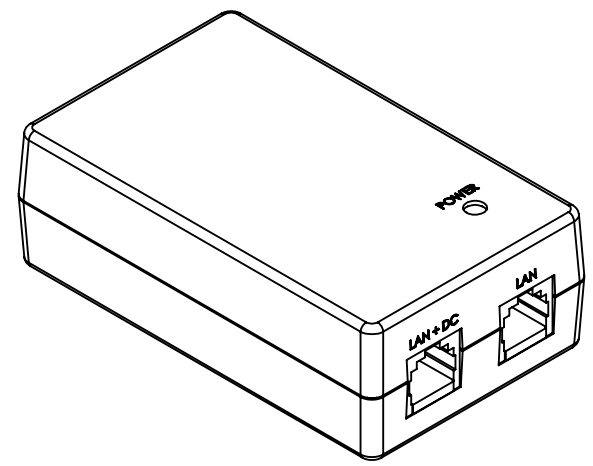
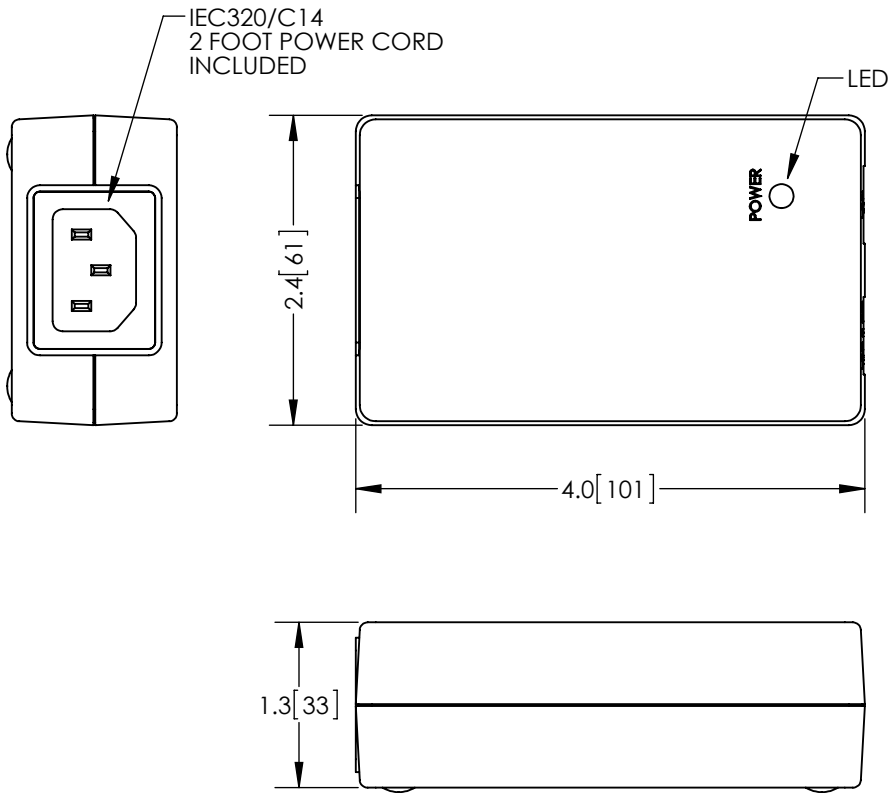



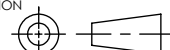
THE INFORMATION CONTAINED IN THIS DRAWING IS THE SOLE PROPERTY OF L-COM, INC. ANY REPRODUCTION IN PART OR WHOLE WITHOUT THE WRITTEN PERMISSION OF L-COM, INC. IS PROHIBITED.

REVISIONS			
REV	DESCRIPTION	DATE	APPROVED
A	INITIAL RELEASE	1/16/13	D.GRIFFIN



NOTES:  
PACKAGING:  
SHALL BE PACKAGED AS PER L-COM SPEC PKG-00012  
  
- ALL DIMENSIONS FOR REFERENCE ONLY -

**RoHS Compliant** ✓

UNLESS OTHERWISE SPECIFIED, DIMENSIONS ARE IN INCHES [mm]	APPROVALS	DATE	 45 BEECHWOOD DRIVE NORTH ANDOVER, MA 01845		
	DRAWN BY B.PUCHASKI	01/16/13			
	CHECKED BY K.BURGNER	01/16/13			
DIMENSIONAL TOLERANCES: .X = ±.1 .XX = ±.01 .XXX = ±.005	APPROVED BY K.BURGNER	01/16/13	CATEGORY <b>POWER PRODUCTS</b>		
ANGULAR TOLERANCES: ALL = ± 1°	CONFIGURATION DETAILS OF UNDIMENSIONED FEATURES MAY VARY		PRODUCT DESCRIPTION <b>DESKTOP 48VDC PoE INJECTOR W/ 20W POWER SUPPLY</b>		
PROJECTION 	COLOR VARIATIONS MAY OCCUR	SIZE <b>A</b>	FSCM NO. <b>43321</b>	DWG. NO. <b>PS4820-POE-1</b>	REV. <b>A</b>
		SCALE: NONE	CAD FILE: PS4820-POE-1.SLDDRW	SHEET 1 OF 1	