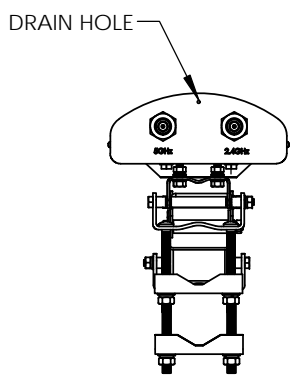
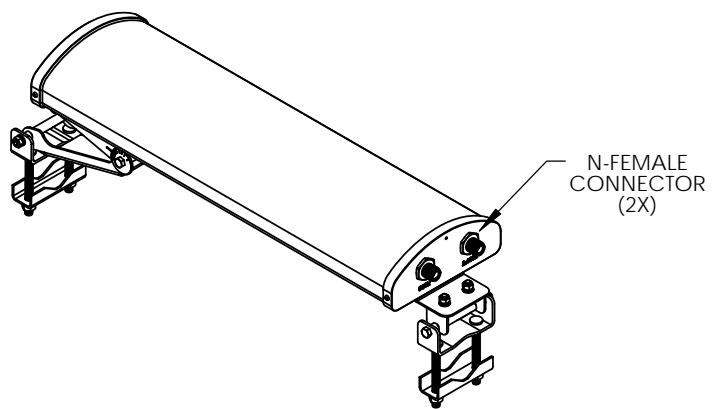
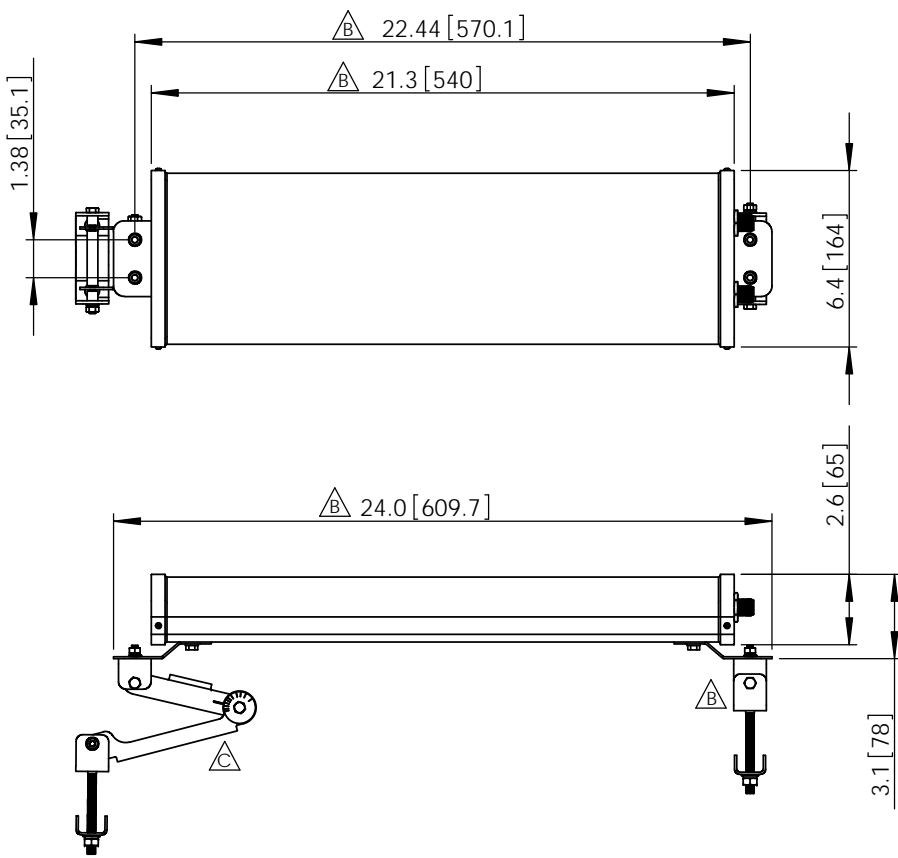


THE INFORMATION CONTAINED IN THIS DRAWING IS THE SOLE PROPERTY OF L-COM, INC. ANY REPRODUCTION IN PART OR WHOLE WITHOUT THE WRITTEN PERMISSION OF L-COM, INC. IS PROHIBITED.

REVISIONS			
REV	DESCRIPTION	DATE	APPROVED
A	INITIAL RELEASE	06/03/11	B.PUCHASKI
B	ECN 7208 LENGTH CHANGED 25.4 TO 21.3, CHANGED BRACKET STYLE	12/23/13	B.PUCHASKI



**NOTES:**

PACKAGING:  
COMPONENT SHALL BE PACKAGED IN ACCORDANCE WITH L-COM SPEC PKG-00057.

- ALL DIMENSIONS FOR REFERENCE ONLY -

**REGULATORY COMPLIANCE:**  
CE2011/65/EU(RoHS DIRECTIVE)

UNLESS OTHERWISE SPECIFIED, DIMENSIONS ARE IN INCHES [mm]  DIMENSIONAL TOLERANCES: .X = ±.1 [2.54] .XX = ±.01 [.25] .XXX = ±.005 [.13]  ANGULAR TOLERANCES: ALL = ± 1°	APPROVALS	DATE		45 BEECHWOOD DRIVE NORTH ANDOVER, MA 01845
	DRAWN BY B.PUCHASKI	06/03/11		
PROJECTION 	CHECKED BY P.PESA	06/03/11	CATEGORY <b>ANTENNA</b>	
	APPROVED BY P.PESA	06/03/11	PRODUCT DESCRIPTION 2.4/4.9-5.8GHz 14dBi DUAL BAND 90° SECTOR PANEL ANTENNA W/ N-FEMALE CONNECTORS	
COLOR VARIATIONS MAY OCCUR	SCALE: NONE	CAD FILE: HG2458-14P-090.SLDDRW	SIZE <b>A</b>	FSCM NO. <b>43321</b>
			DWG. NO. <b>HG2458-14P-090</b>	REV. <b>B</b>
			SHEET 1 OF 1	