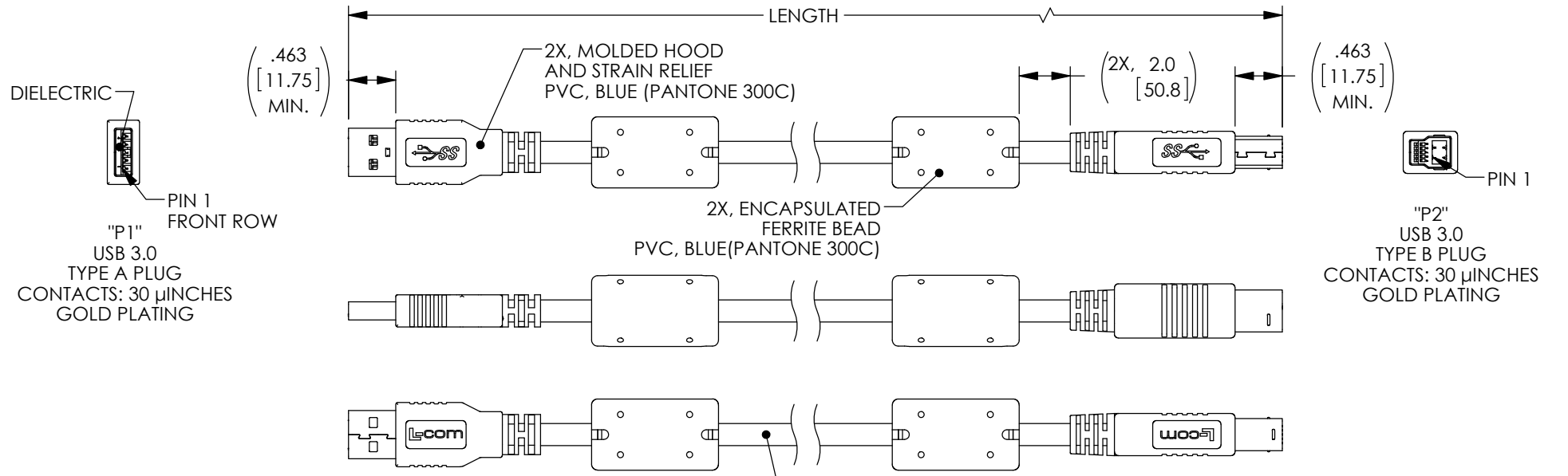


THE INFORMATION CONTAINED IN THIS DRAWING IS THE SOLE PROPERTY OF L-COM, INC. ANY REPRODUCTION IN PART OR WHOLE WITHOUT THE WRITTEN PERMISSION OF L-COM, INC. IS PROHIBITED.

REVISIONS			
REV	DESCRIPTION	DATE	APPROVED
A	INITIAL RELEASE	06/29/17	J.LABOY



"P1"	WIRING MAP	"P2"
1	RED	1
2	WHITE	2
3	GREEN	3
4	BLACK	4
5	BLUE	5
6	YELLOW	6
7	DRAIN WIRE	7
7	DRAIN WIRE	7
8	PURPLE	8
9	ORANGE	9
SHELL	BRAID	SHELL

UL STYLE 20276, 2X, TWISTED PAIR, 30AWG WITH ALUM/POLY FOIL SHIELD AND DRAIN WIRE. ONE UNSHIELDED TWISTED PAIR, 30AWG. 2 COND., 24AWG. OVERALL BRAID SHIELD, 65% JACKET: PVC, BLUE (PANTONE 300C) (NOM DIA. .217" [5.5])

PART NUMBER	LENGTH METERS [FEET]
U3A00009-05M	0.5 [1.64]
U3A00009-1M	1.0 [3.28]
U3A00009-105M	1.5 [4.92]

NOTES:

1. CABLE ASSEMBLY SHALL BE TESTED FOR CONTINUITY.
2. CABLE ASSEMBLY SHALL HAVE 360° SHIELD TERMINATION.
3. CABLE ASSEMBLY MUST MEET USB 3.0 REQUIREMENTS.
4. CABLE ASSEMBLY SHALL BE INDIVIDUALLY PACKAGED IN ACCORDANCE WITH L-COM SPECIFICATION PS-0031.

REGULATORY COMPLIANCE:
CE2011/65/EU(RoHS DIRECTIVE)

UNLESS OTHERWISE SPECIFIED, DIMENSIONS ARE IN INCHES [mm] OVERALL CABLE LENGTH TOLERANCE: ≤12 [305] = +1 [25] / -0 >12 [305] ≤60 [1524] = +2 [51] / -0 >60 [1524] ≤120 [3048] = +4 [102] / -0 >120 [3048] ≤300 [7620] = +6 [152] / -0 >300 [7620] = +5% / -0%	APPROVALS	DATE		50 HIGH STREET NORTH ANDOVER, MA 01845
	DRAWN BY S.LI	04/28/2017		CATEGORY
ALL OTHER DIMENSIONAL TOLERANCES: .X = ± .2 [5.08] .XX = ± .02 [1.51] .XXX = ±.005 [1.13]	CHECKED BY B.ZHANG	04/28/2017	PRODUCT DESCRIPTION	
PROJECTION	APPROVED BY B.GATES	04/28/2017	CA, USB 3.0 TYPE A/B W/FERRITE	
	CONFIGURATION DETAILS OF UNDIMENSIONED FEATURES MAY VARY	COLOR VARIATIONS MAY OCCUR	SIZE A	FSCM NO. 43321
			DWG. NO. U3A00009	REV. A
			SCALE: NONE	CAD FILE: U3A00009.SLDDRW
				SHEET 1 OF 1