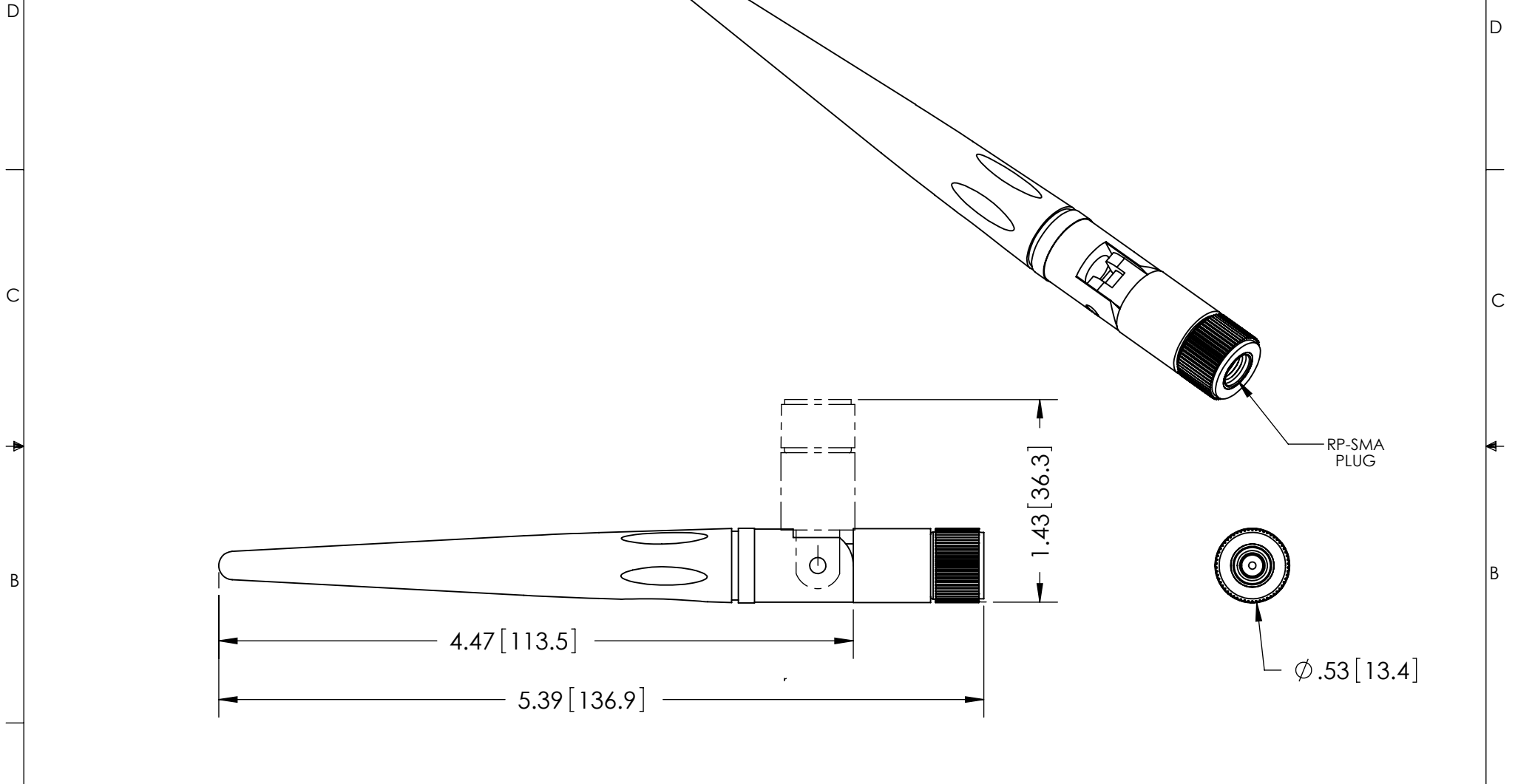


THE INFORMATION CONTAINED IN THIS DRAWING IS THE SOLE PROPERTY OF L-COM, INC. ANY REPRODUCTION IN PART OR WHOLE WITHOUT THE WRITTEN PERMISSION OF L-COM, INC. IS PROHIBITED.

REVISIONS			
REV	DESCRIPTION	DATE	APPROVED
A	Initial Release	02/22/11	B.Puchaski
-	-	-	-



NOTES:

PACKAGING:
COMPONENT SHALL BE INDIVIDUALLY PACKAGED IN ACCORDANCE WITH L-COM SPECIFICATION PKG-00031

UNLESS OTHERWISE SPECIFIED, DIMENSIONS ARE IN INCHES [mm] DIMENSIONAL TOLERANCES: .X = ±.1 .XX = ±.01 .XXX = ±.005 ANGULAR TOLERANCES: ALL = ± 1° PROJECTION	APPROVALS	DATE		45 BEECHWOOD DRIVE NORTH ANDOVER, MA 01845
	DRAWN BY B.Puchaski	02/22/11		
	CHECKED BY P.Pisa	02/22/11	CATEGORY	ANTENNA
	APPROVED BY P.Pisa	02/22/11	PRODUCT DESCRIPTION	ANT, Rubber Duck 2.4GHz 3dBi RP-SMA Plug
	CONFIGURATION DETAILS OF UNDIMENSIONED FEATURES MAY VARY	SIZE A	FSCM NO. 43321	DWG. NO. HG2403RD-RSF
	COLOR VARIATIONS MAY OCCUR	SCALE: NONE	CAD FILE: HG2403RD-RSF.SLDDRW	SHEET 1 OF 1