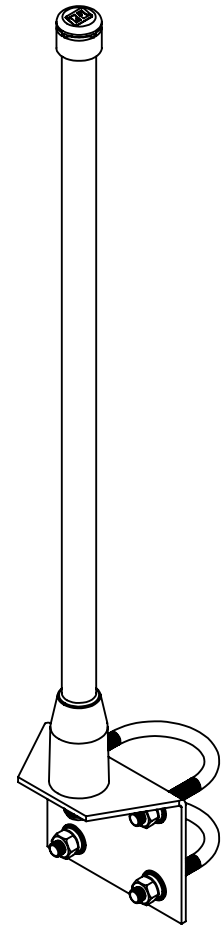
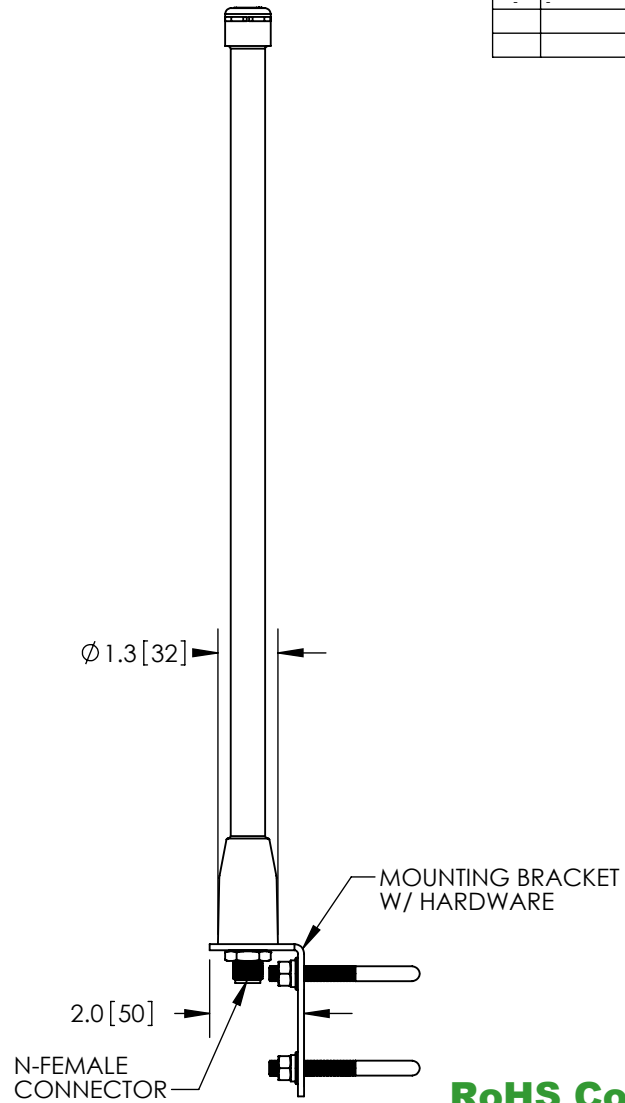
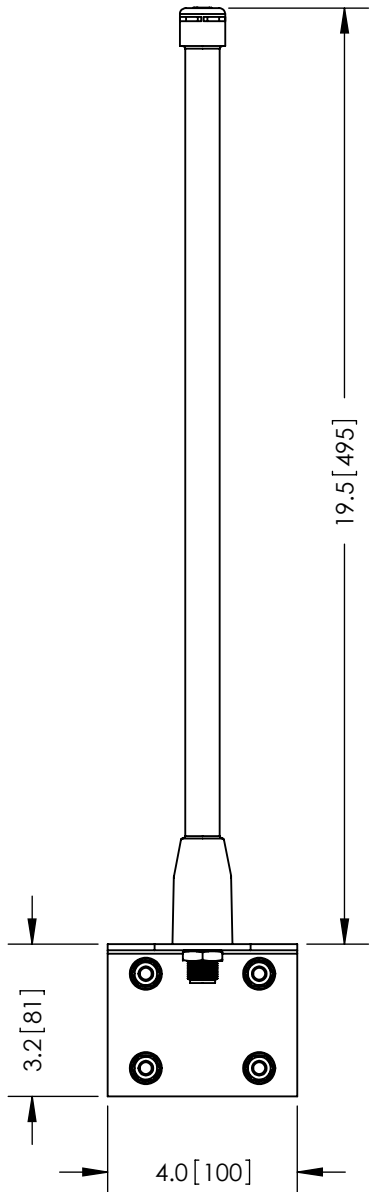


THE INFORMATION CONTAINED IN THIS DRAWING IS THE SOLE PROPERTY OF L-COM, INC. ANY REPRODUCTION IN PART OR WHOLE WITHOUT THE WRITTEN PERMISSION OF L-COM, INC. IS PROHIBITED.

REVISIONS			
REV	DESCRIPTION	DATE	APPROVED
A	INITIAL RELEASE	1/5/2012	B.PUCHASKI
-	-	-	-
-	-	-	-



RoHS Compliant ✓

NOTES:

PACKAGING:
 COMPONENT SHALL BE INDIVIDUALLY PACKAGED IN ACCORDANCE WITH L-COM SPECIFICATION PKG-00085
 - ALL DIMENSIONS FOR REFERENCE -

UNLESS OTHERWISE SPECIFIED, DIMENSIONS ARE IN INCHES [mm] DIMENSIONAL TOLERANCES: .X = ±.1 .XX = ±.01 .XXX = ±.005 ANGULAR TOLERANCES: ALL = ± 1° PROJECTION 	APPROVALS B.PUCHASKI CHECKED BY P.PESA APPROVED BY P.PESA	DATE 01/03/12 01/03/12 01/03/12		45 BEECHWOOD DRIVE NORTH ANDOVER, MA 01845	
	CONFIGURATION DETAILS OF UNDIMENSIONED FEATURES MAY VARY		CATEGORY ANTENNA	PRODUCT DESCRIPTION 2.4GHz 8dBi OMNI ANTENNA W/ N-FEMALE CONNECTOR	
	COLOR VARIATIONS MAY OCCUR	SIZE A	FSCM NO. 43321	DWG. NO. HGV-2409U	REV. A
	SCALE: NONE		CAD FILE: HGV-2409U.SLDDRW		SHEET 1 OF 1