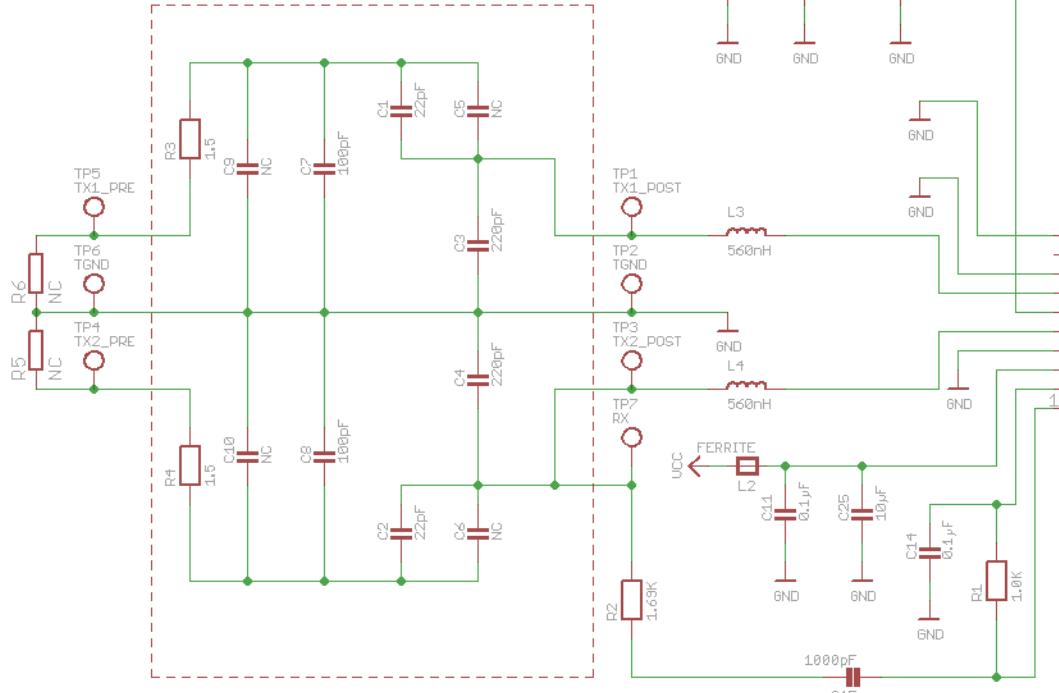


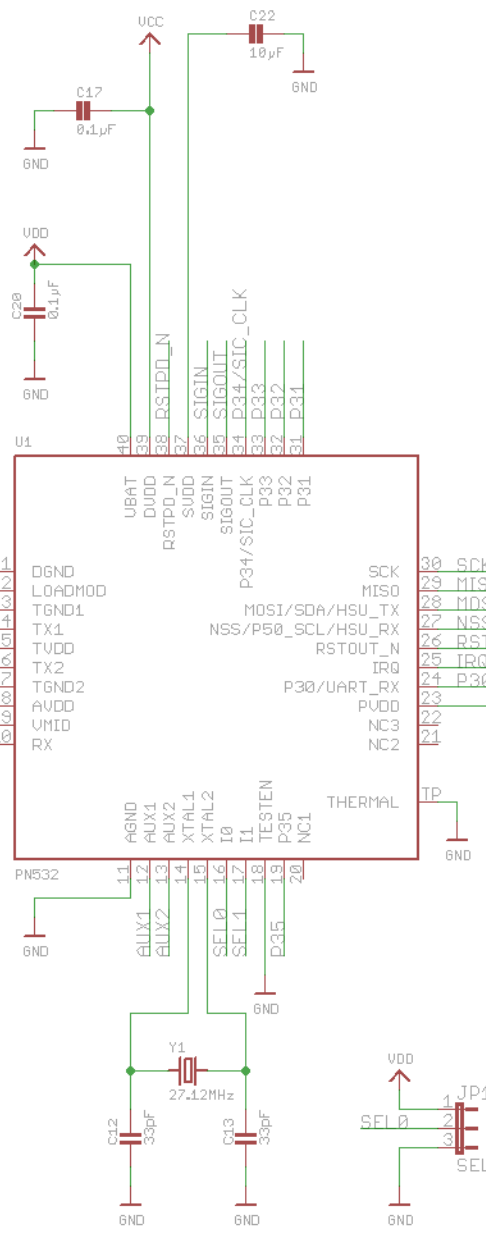
Series caps (C1/C2) should normally be 1/10 parallel caps (C3/C4) to provide the impedance transformation. Parallel caps mainly determine the resonant frequency.

C7/C8 are primarily used to adjust the resonant frequency in this case.

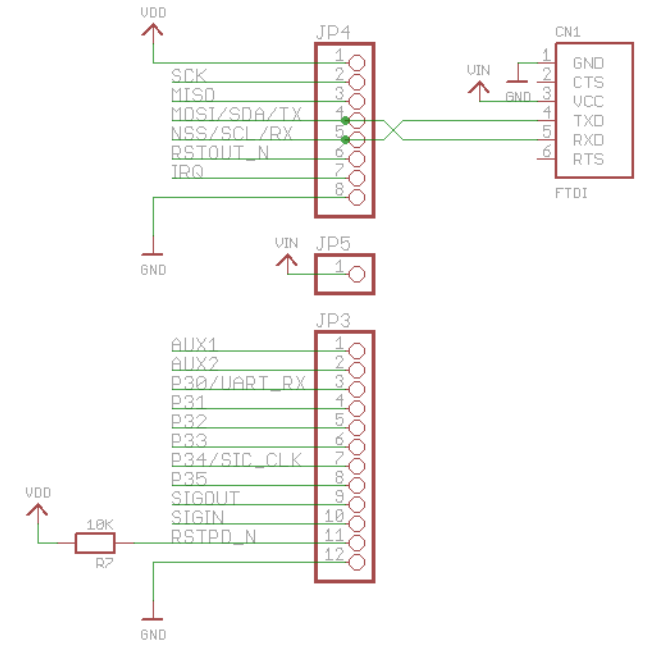
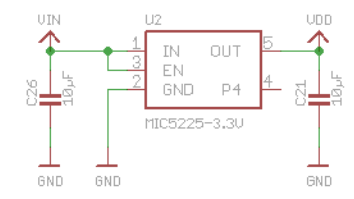
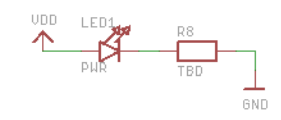
**ANTENNA MATCHING CIRCUIT**



VCC = Internal LDO Output



For 887-1424-1-ND use 33pF Caps  
 For 887-1329-1-ND use 16 or 22pF caps



	UART	SPL	I2C
SEL0	0	0	1
SEL1	0	1	0