

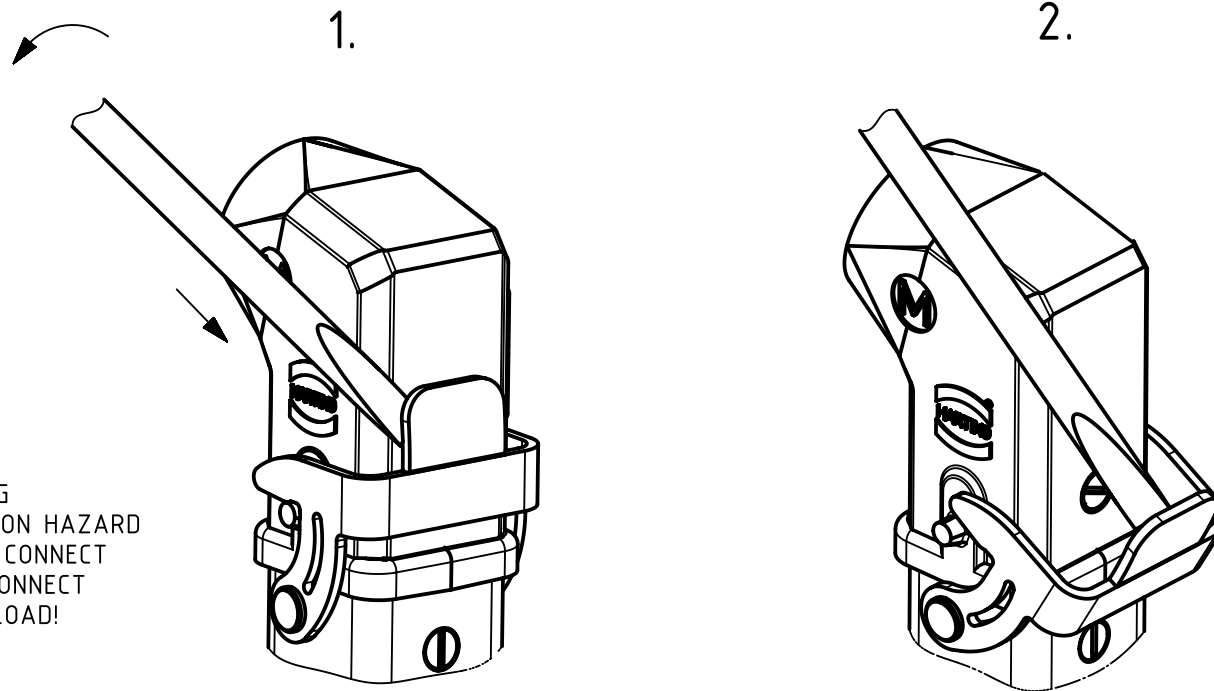
	All Dimensions in mm Original Size DIN A4		Scale 1:1		Free size tol.		Ref.		
							Sub.		
	All rights reserved		Created by RULLKOETTER	Inspected by RIEPE	Standardisation TIEMANNA	Date 2017-01-12	State Final Release		
	Department EL PD - DE		Title Han Ex UL-Q7 Set				Doc-Key / ECM-Nr. 100670127/UGD/002/C 500000113683		
HARTING Electric GmbH & Co. KG D-32339 Espelkamp			Type TB	Number 10 36 107 0001			Rev. C	Page 1/2	

1 2 3 4 5 6

FOR USE WITH AWG: 14, 16

FOR USE WITH CABLE TYPE:  
PLTC, PLTC-ER, ITC, ITC-ER, MC, MV AND TC

FOR USE IN CLASS I, DIVISION 2 GROUPS A, B, C, AND D  
HAZARDOUS LOCATIONS OR UNCLASSIFIED LOCATIONS



WARNING  
EXPLOSION HAZARD  
DO NOT CONNECT  
OR DISCONNECT  
UNDER LOAD!

THE INSTALLATION MUST BE IN ACCORDANCE WITH THE ASSOCIATED LOCATION RESTRICTIONS OF THE NATIONAL ELECTRICAL CODE OR CANADIAN ELECTRICAL CODE AS APPLICABLE, INCLUDING ISSUES SUCH AS THE ROUTING, SUPPORT AND LENGTH OF THE INVOLVED CORD OR CABLE.

To separate connectors, insert small flathead tool or screwdriver between metal lever and housing as shown in the diagram. Press screwdriver in a downward direction until the metal lever releases.

To secure the hood and housing assembly together, press the metal levers in the upward direction until metal lever latches into housing pins.