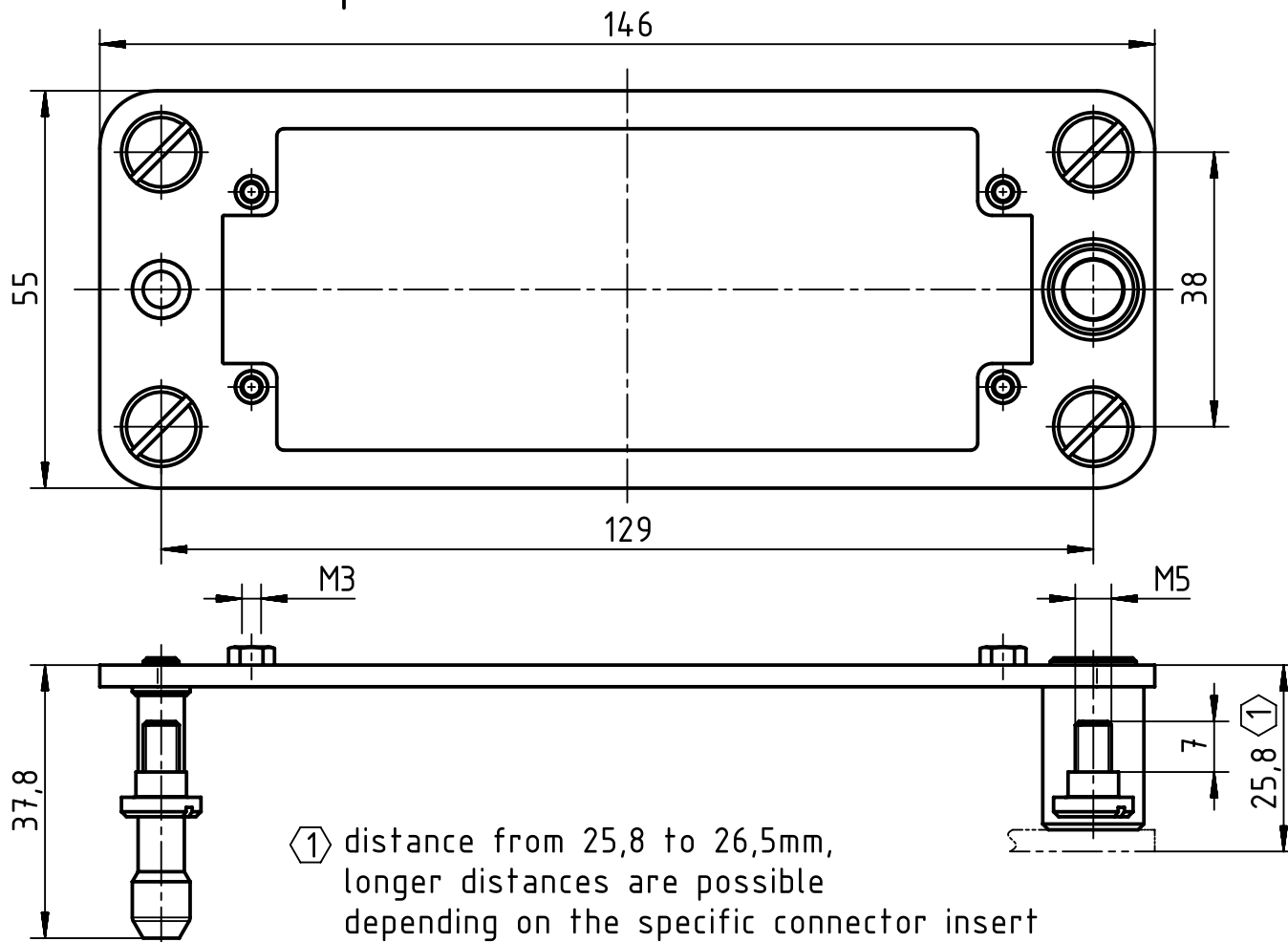
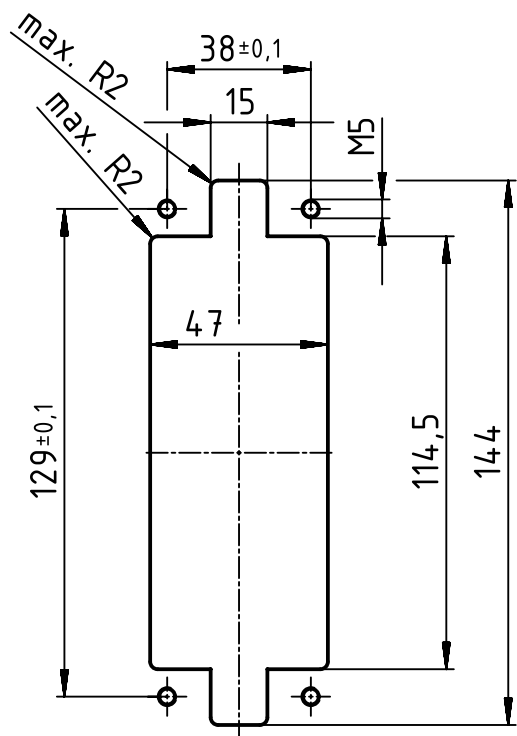
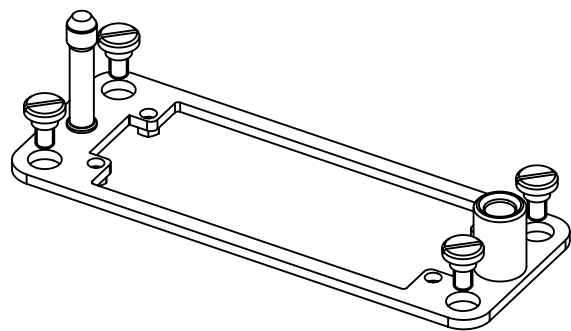


panel cut out (1:2)



① distance from 25,8 to 26,5mm, longer distances are possible depending on the specific connector insert
kind of delivery: piece parts



	All rights reserved Department EL PD - DE HARTING Electric GmbH & Co. KG D-32339 Espelkamp	All Dimensions in mm Original Size DIN A4		Scale 1:1	Free size tol.	Ref. Sub.
		Created by RULLKOETTER	Inspected by SCHNIEDER	Standardisation SCHMIDTM	Date 2014-10-17	State Final Release
Title 24B Docking Frame for 2 x HC650 contacts					Doc-Key / ECM-Nr. 100129395/UGD/005/A 500000080775	
Type TB			Number 09 30 024 1702		Rev. A	Page 1/1