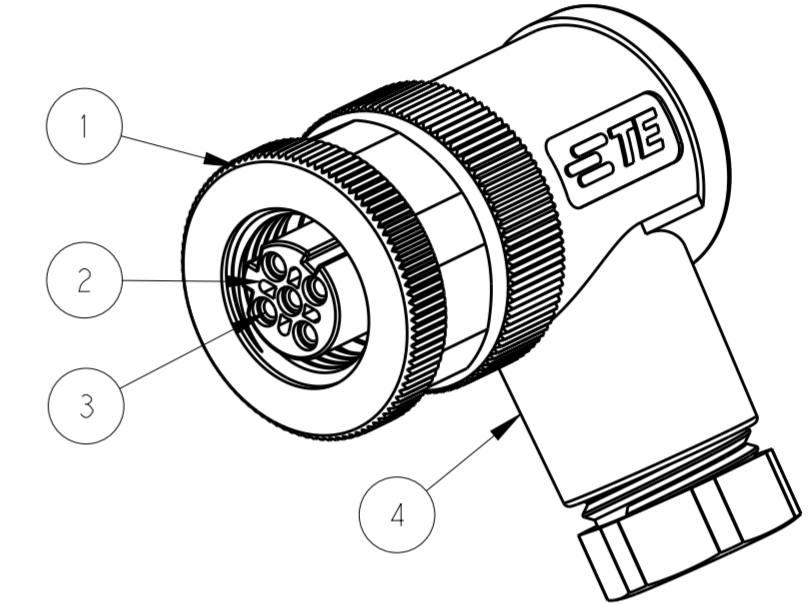
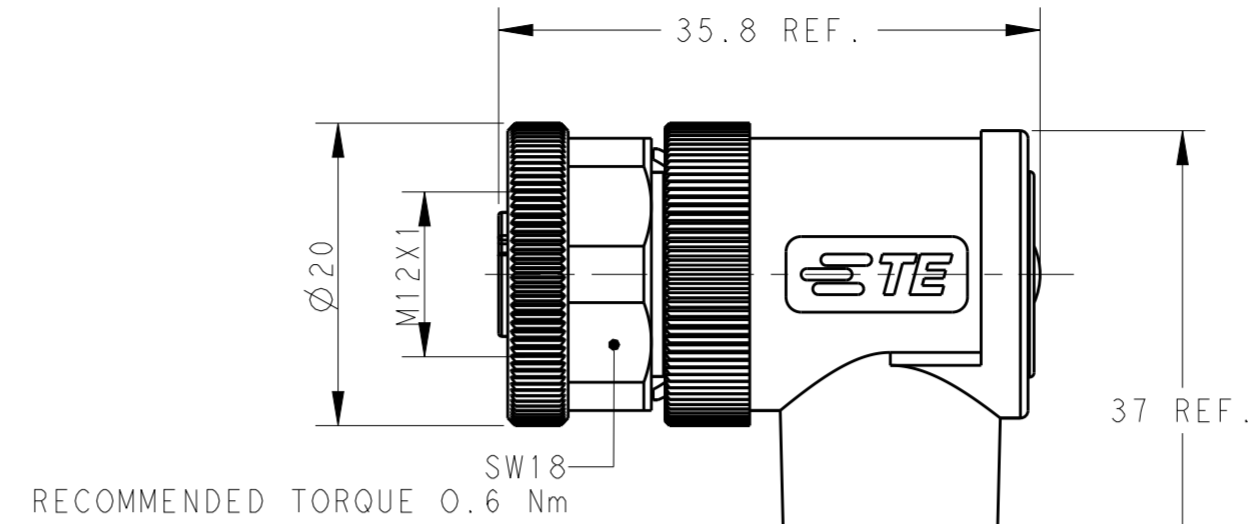
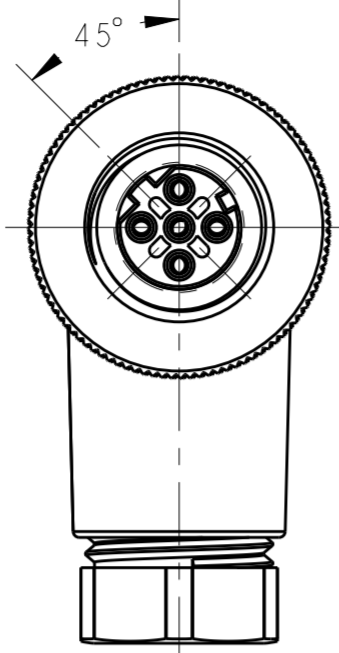


THIS DRAWING IS UNPUBLISHED. RELEASED FOR PUBLICATION 20
 © COPYRIGHT 20 BY - ALL RIGHTS RESERVED.

REVISIONS				
P	LTR	DESCRIPTION	DATE	APVD
A		INITIAL RELEASE	24JUL2015	NP XX
A1		ECR-15-018715 ADD 114 SPEC.	29DEC2015	NP XX



TECHNICAL DATA	T411250X02X-000	T411250X03X-000	T411250X04X-000	T411250X05X-000
RATED VOLTAGE	250V	250V	250V	60V
RATED CURRENT	4A	4A	4A	4A
POLLUTION DEGREE	3	3	3	3
OVERVOLTAGE CATEGORY	II	II	II	II
MATERIAL GROUP	II	II	II	II
CONTACT RESISTANCE	≤8mΩ	≤8mΩ	≤8mΩ	≤8mΩ
INSULATION RESISTANCE	>100MΩ	>100MΩ	>100MΩ	>100MΩ
DEGREE OF PROTECTION	IP67	IP67	IP67	IP67
OPERATION TEMPERATURE	-40~85°C	-40~85°C	-40~85°C	-40~85°C

- NOTE:
- MATERIAL:
 - ITEM NO.1: NUT -BRASS
 - ITEM NO.2: HOUSING -PA
 - ITEM NO.3: CONTACT -BRONZE
 - ITEM NO.4: HOUSING BODY: -PBT+GF
 - CONTACT FINISH:
 - GOLD OVER NICKEL OR SILVER OVER NICKEL
 - CABLE WIRES:
 - 18AWG/0.75mm² Max. FOR 2-5 PINS
 - ALLDIMENSIONS ARE FOR NOMINAL REFERENCE ONLY UNLESS OTHERWISE STATED
 - PACKAGING: 1PIECE IN A BAG
 - PN INFORMATION

PIN ARRANGEMENT D-CODE

T411250X02X-000	T411250X03X-000	T411250X04X-000
T411250X05X-000		

T4112502051-000	RPC-M12D-FR-5CON-PG9-MU
T4112501051-000	RPC-M12D-FR-5CON-PG7-MU
T4112502052-000	RPC-M12D-FR-5CON-PG9-M
T4112501052-000	RPC-M12D-FR-5CON-PG7-M
T4112502041-000	RPC-M12D-FR-4CON-PG9-MU
T4112501041-000	RPC-M12D-FR-4CON-PG7-MU
T4112502042-000	RPC-M12D-FR-4CON-PG9-M
T4112501042-000	RPC-M12D-FR-4CON-PG7-M
T4112502031-000	RPC-M12D-FR-3CON-PG9-MU
T4112501031-000	RPC-M12D-FR-3CON-PG7-MU
T4112502032-000	RPC-M12D-FR-3CON-PG9-M
T4112501032-000	RPC-M12D-FR-3CON-PG7-M
T4112502021-000	RPC-M12D-FR-2CON-PG9-MU
T4112501021-000	RPC-M12D-FR-2CON-PG7-MU
T4112502022-000	RPC-M12D-FR-2CON-PG9-M
T4112501022-000	RPC-M12D-FR-2CON-PG7-M
TE PN	TYPE

- T411250XXXX-000
- CONTACT FINISH:
 - GOLD OVER NICKEL
 - SILVER OVER NICKEL
 - NUMBERS OF PINS:
 - 02: 2 PINS
 - 03: 3 PINS
 - 04: 4 PINS
 - 05: 5 PINS
 - 08: 8 PINS
 - CABLE OUTLET:
 - PG7(CABLE FEED: 4-6mm)
 - PG9(CABLE FEED: 6-8mm)
 - BRAND:
 - T: W/ TE LOGO
 - N: W/O LOGO

THIS DRAWING IS A CONTROLLED DOCUMENT.		DWN HAO WANG 08JAN2015	TE Connectivity															
		CHK KOBBY ZHAO 08JAN2015																
		APVD XIANG XU 08JAN2015	NAME M12 FEMALE, D CODE, RA UNSHIELDED CONNECTOR SCREW TERMINAL															
DIMENSIONS: mm		TOLERANCES UNLESS OTHERWISE SPECIFIED:	PRODUCT SPEC 108-106140															
<table border="1"> <tr><td>0 PLC</td><td>±0.2</td></tr> <tr><td>1 PLC</td><td>±0.2</td></tr> <tr><td>2 PLC</td><td>±0.2</td></tr> <tr><td>3 PLC</td><td>±</td></tr> <tr><td>4 PLC</td><td>±</td></tr> <tr><td>ANGLES</td><td>±</td></tr> <tr><td>FINISH</td><td>±</td></tr> </table>		0 PLC	±0.2	1 PLC	±0.2	2 PLC	±0.2	3 PLC	±	4 PLC	±	ANGLES	±	FINISH	±	APPLICATION SPEC 114-137144	SCALE 2:1 SHEET 1 OF 1 REV A1	
0 PLC	±0.2																	
1 PLC	±0.2																	
2 PLC	±0.2																	
3 PLC	±																	
4 PLC	±																	
ANGLES	±																	
FINISH	±																	
MATERIAL -		WEIGHT -	RESTRICTED TO -															
		CUSTOMER DRAWING	DRAWING NO. C-T411250XXXX000															