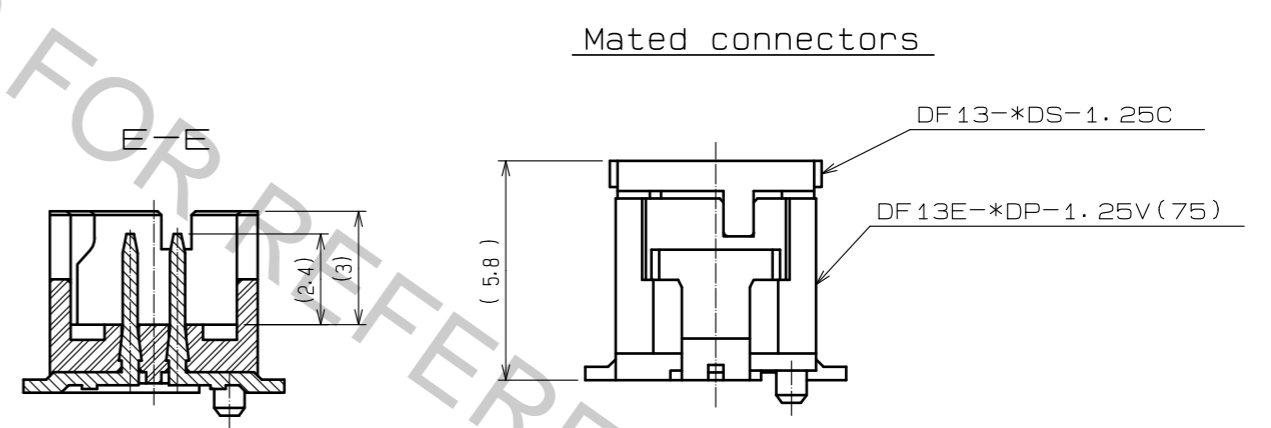
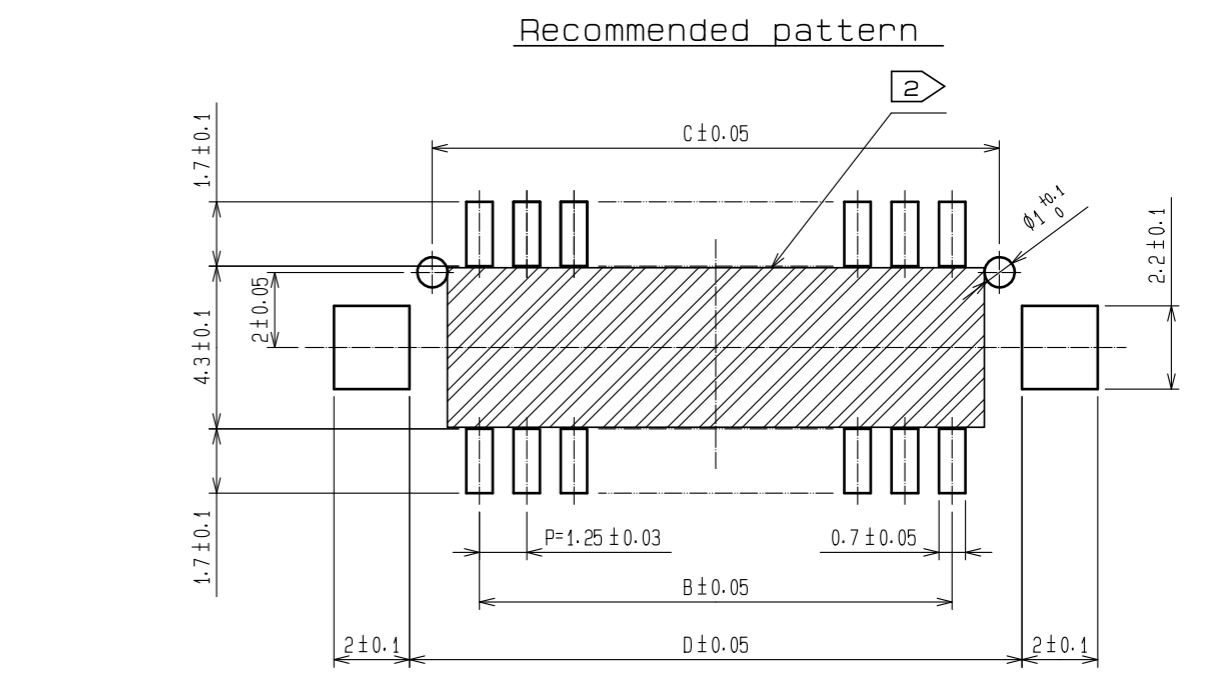
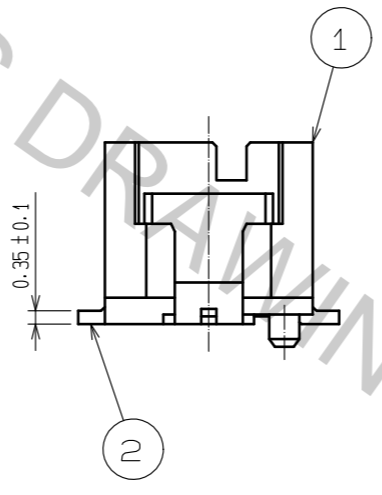
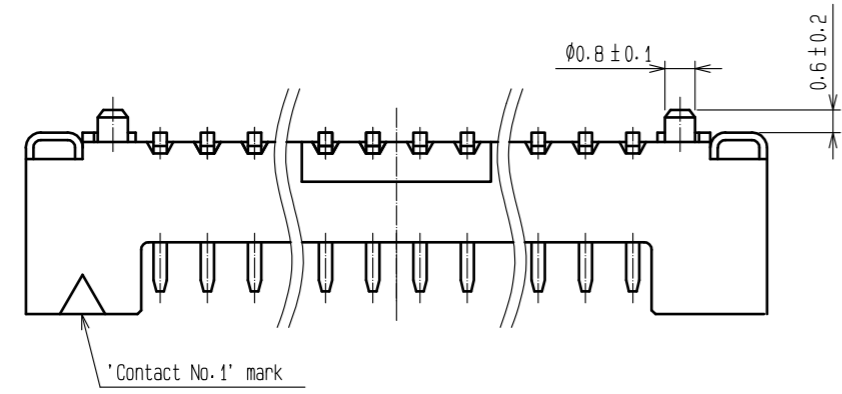
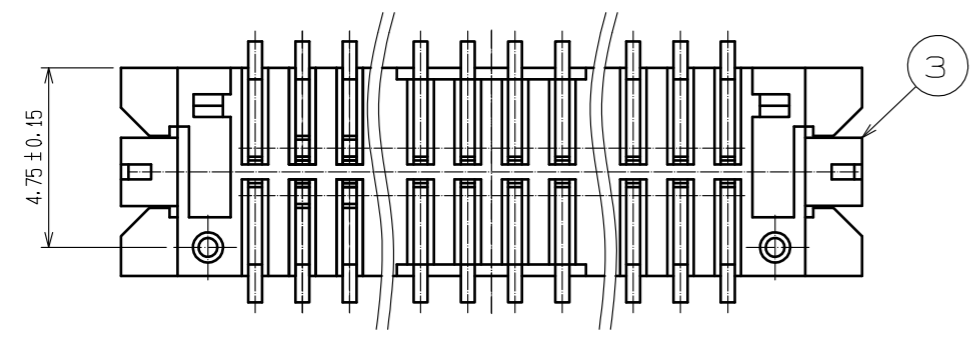
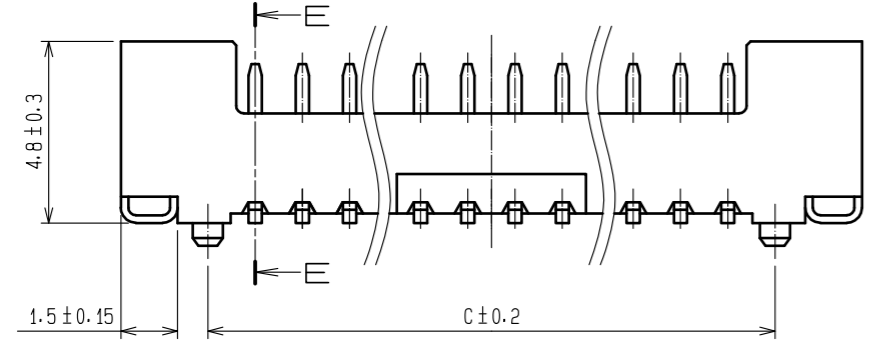
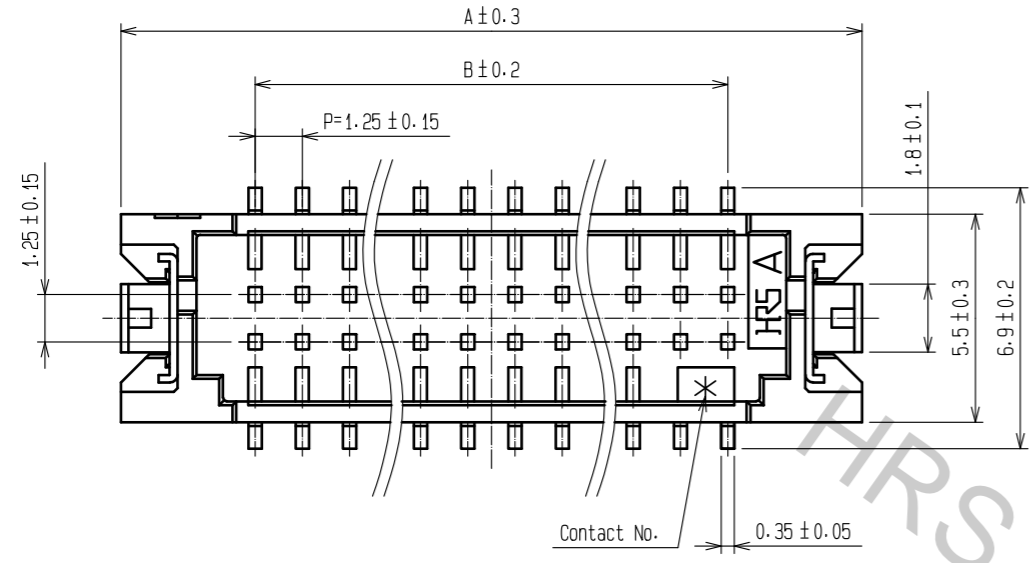


Aug.1.2018 Copyright 2018 HIROSE ELECTRIC CO., LTD. All Rights Reserved.
 In case that the application demands a high level of reliability, such as automotive,
 please contact a company representative for further information.



Notes 1 : Lead co-planality include reinforced metal fittings shall be 0.1mm MAX.
 ②: If there are pattern and a bia hole on part, there is a possibility that it will make contact with the leads.

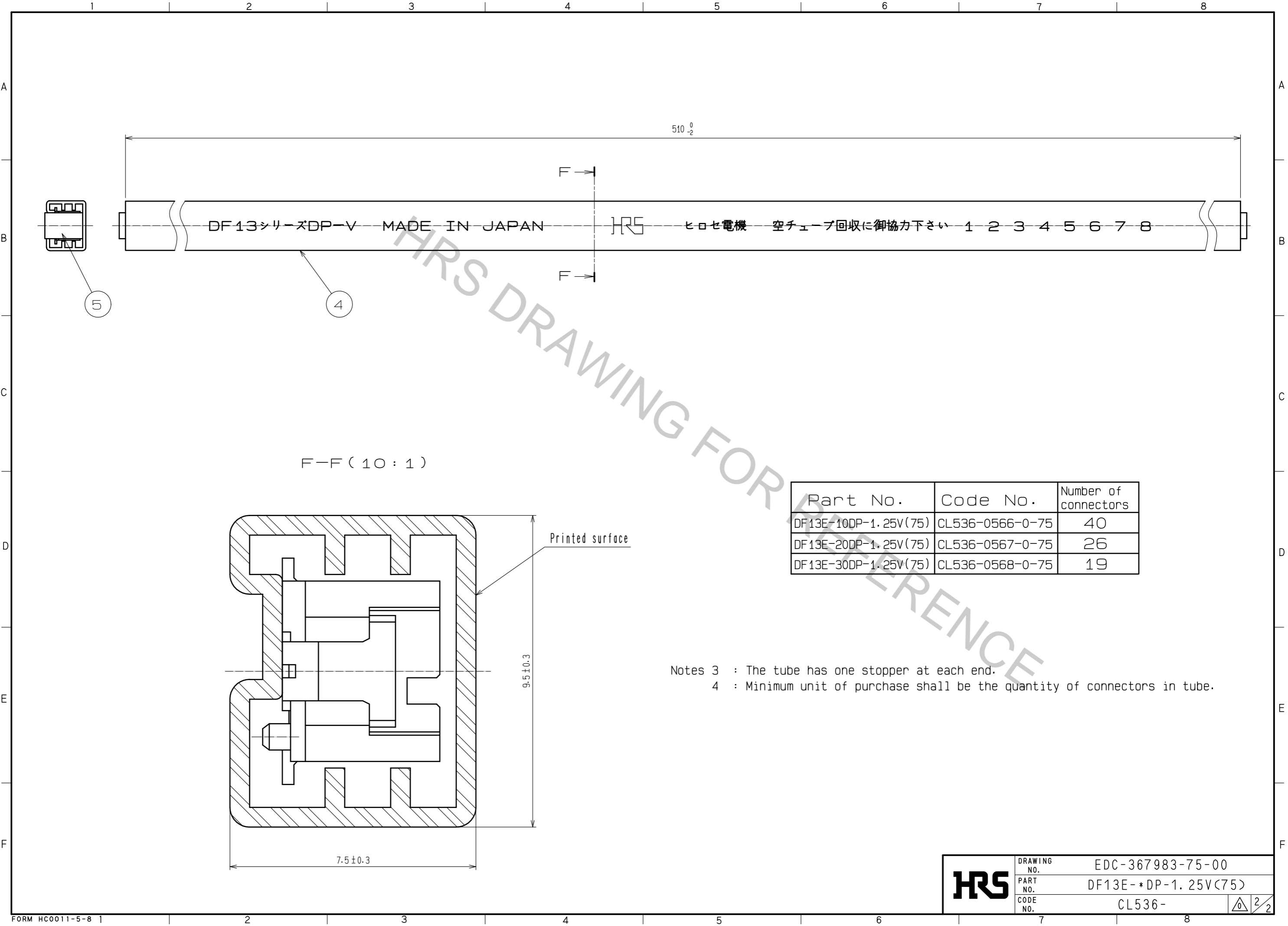
Part No.	Number of contacts	Code No.	A	B	C	D
DF13E-10DP-1.25V(75)	10	CL536-0566-0-75	12.1	5.0	7.5	8.7
DF13E-20DP-1.25V(75)	20	CL536-0567-0-75	18.35	11.25	13.75	14.95
DF13E-30DP-1.25V(75)	30	CL536-0568-0-75	24.60	17.50	20.00	21.20

NO.	MATERIAL	FINISH .	REMARKS	NO.	MATERIAL	FINISH .	REMARKS
2	Brass	Lead area: Tin-copper plated 1µm MIN		5	S. PVC		Gray
		Under plating: Nickel 0.5µm MIN		4	R. PVC		Electrostatic protection
1	Polyamide	Beige, UL94V-0		3	Phosphor bronze		Tin plated 1µm MIN

UNITS	SCALE	COUNT	DESCRIPTION OF REVISIONS	DESIGNED	CHECKED	DATE
mm	5 : 1	△				

APPROVED : HS. OKAWA	18.02.16	DRAWING NO.	EDC-367983-75-00
CHECKED : TS. FUKUSHIMA	18.02.16	PART NO.	DF13E-*DP-1.25V(75)
DESIGNED : TS. KUMAZAWA	18.02.16	CODE NO.	CL536-
DRAWN : MK. INOUE	18.02.16		

Aug.1.2018 Copyright 2018 HIROSE ELECTRIC CO., LTD. All Rights Reserved.
 In case that the application demands a high level of reliability, such as automotive,
 please contact a company representative for further information.



Part No.	Code No.	Number of connectors
DF13E-10DP-1.25V(75)	CL536-0566-0-75	40
DF13E-20DP-1.25V(75)	CL536-0567-0-75	26
DF13E-30DP-1.25V(75)	CL536-0568-0-75	19

Notes 3 : The tube has one stopper at each end.
 4 : Minimum unit of purchase shall be the quantity of connectors in tube.

HRS	DRAWING NO.	EDC-367983-75-00	
	PART NO.	DF13E-*DP-1.25V(75)	
	CODE NO.	CL536-	2/2