

BACK COVER HOUSING

HEATSHRINK HOUSING

BACK SEAL

BACK COVER HOUSING

PLUG WEDGELOCK

PLUG HOUSING

RECEPTACLE HOUSING

PLUG SEAL

RECEPTACLE WEDGELOCK

BACK COVER HOUSING

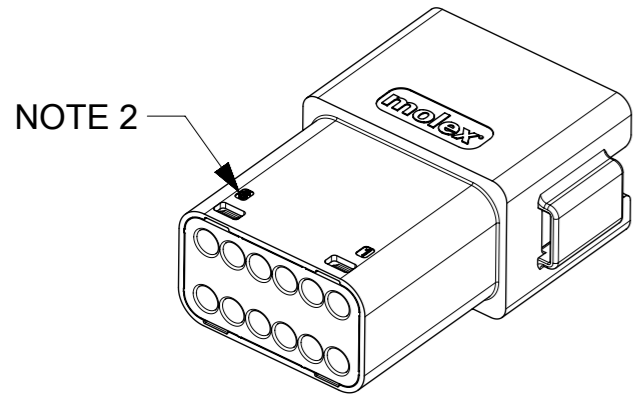
BACK SEAL

HEATSHRINK HOUSING

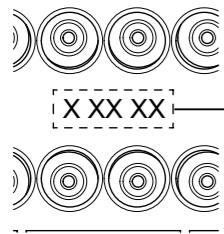
NOTES
 1. SEE SHEETS 2 - 9 FOR UNSPECIFIED NOTES, DIMENSIONS & PART NUMBERS

SYMBOLS		THIS DRAWING CONTAINS INFORMATION THAT IS PROPRIETARY TO MOLEX ELECTRONIC TECHNOLOGIES, LLC AND SHOULD NOT BE USED WITHOUT WRITTEN PERMISSION	
▽ = 0	DIMENSION UNITS	SCALE	CURRENT REV DESC: SEE LONG TEXT
▽ = 0	mm	1.25:1	
▽ = 0	GENERAL TOLERANCES (UNLESS SPECIFIED)		
▽ = 0	ANGULAR TOL ± 2.0°		
▽ = 0	4 PLACES ±		EC NO: 173109
▽ = 0	3 PLACES ±		DRWN: JFLETCHER 2018/03/05
▽ = 0	2 PLACES ±	0.1	CHK'D: SMCGREEVY 2018/04/12
▽ = 0	1 PLACE ±	0.2	APPR: IOCONNELL 2018/04/25
▽ = 0	0 PLACES ±		INITIAL REVISION:
▽ = 0	DRAFT WHERE APPLICABLE MUST REMAIN WITHIN DIMENSIONS		DRWN: JFLETCHER 2015/12/16
▽ = 0	THIRD ANGLE PROJECTION		APPR: JDWALLACE 2016/01/14
	DRAWING	SERIES	DOCUMENT NUMBER
	A3-SIZE	93443	934430060
	MATERIAL NUMBER	CUSTOMER	DOC TYPE DOC PART REVISION
	SE CHART	GENERAL MARKET	PSD 000 C1
			SHEET NUMBER
			1 OF 9

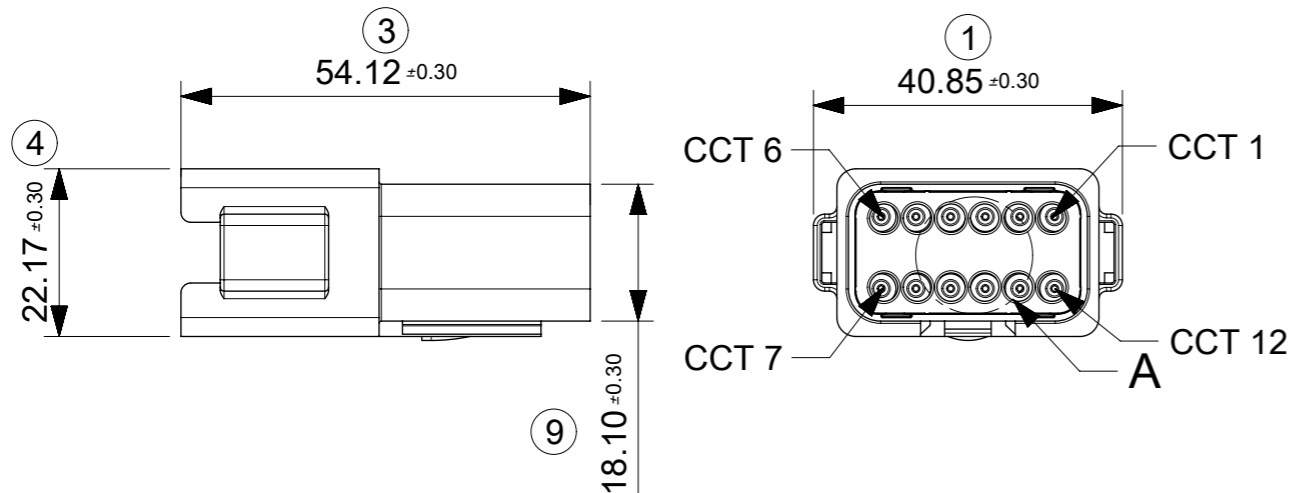
12CCT RECEPTACLE CONNECTOR



DATE CODE: X XX XX
 X — DAY: 1- 7
 X — WEEK: 01 - 52
 X — YEAR: 00 - 99
 # — MACHINE NO. 1
 EXAMPLE: 11315 = DAY 1, WEEK 13, YEAR 15
 i.e. 23rd OF MARCH 2015



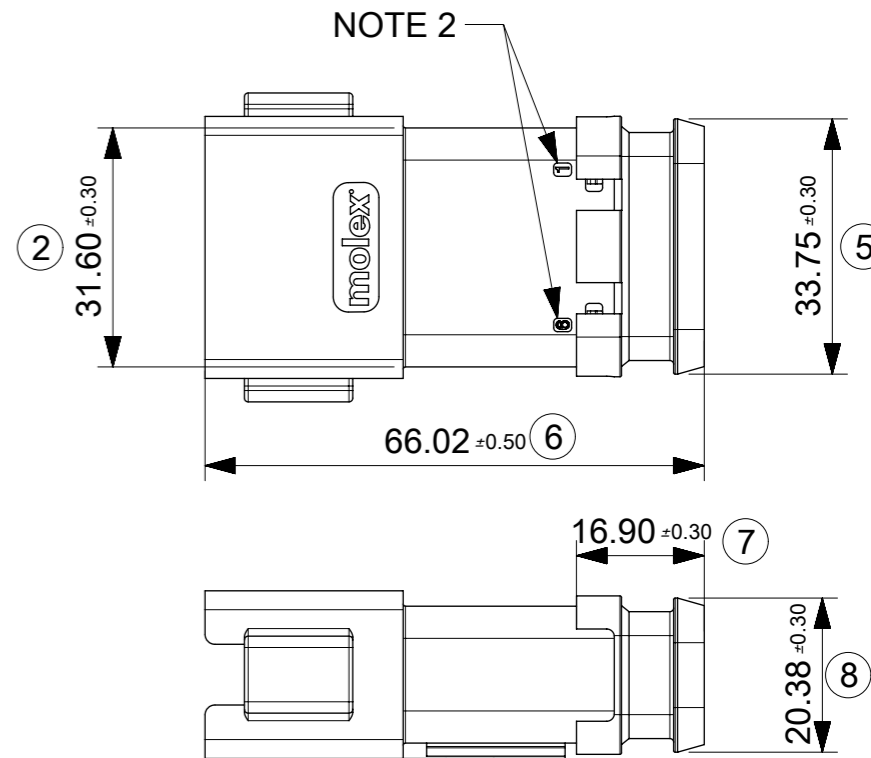
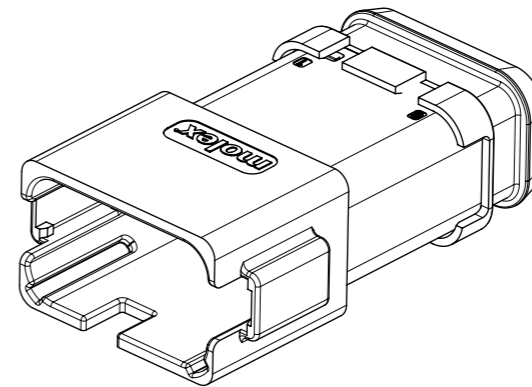
DETAIL A
 SCALE 2:1



NOTES

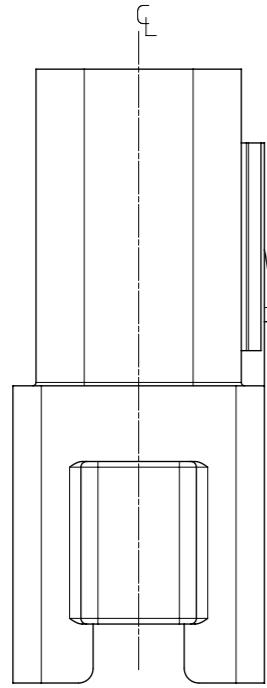
- MATERIAL
 HOUSING: NYLON 30% GF
 BACK SEAL: HIGH CONSISTENCY RUBBER
- CIRCUIT IDENTIFICATION
- JACKET RANGE LARGE = \varnothing 2.23MM TO 3.68MM (SEAL COLOUR: LIGHT BLUE)
 JACKET RANGE SMALL = \varnothing 1.35MM TO 3.05MM (SEAL COLOUR: BURNT ORANGE)
- SEE SHEET 3 FOR FINAL PART NUMBER DESIGNATION
- SEE 934430010 PS P FOR PRODUCT SPECIFICATION
- SEE 934430002 PS K FOR PACKAGING SPECIFICATION
- INSPECTION NUMBERS 1-50 RESERVED FOR SHEET 2
 LAST INSPECTION NUMBER: 9

12CCT RECEPTACLE CONNECTOR WITH HEATSHRINK HOUSING ULTRASONICALLY WELDED IN PLACE

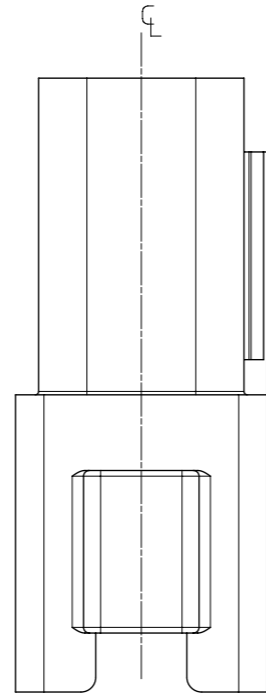


SYMBOLS	THIS DRAWING CONTAINS INFORMATION THAT IS PROPRIETARY TO MOLEX ELECTRONIC TECHNOLOGIES, LLC AND SHOULD NOT BE USED WITHOUT WRITTEN PERMISSION		CURRENT REV DESC: SEE LONG TEXT		molex
	mm	1:1			
▽ = 0	GENERAL TOLERANCES (UNLESS SPECIFIED)		EC NO: 173109		12CCT ML-XT CV CONNECTOR SYSTEM
▽ = 0	ANGULAR TOL ± 2.0°		DRWN: JFLETCHER 2018/03/05		
▽ = 0	4 PLACES	±	CHK'D: SMCGREEVY 2018/04/12		PRODUCT CUSTOMER DRAWING
▽ = 0	3 PLACES	±	APPR: IOCONNELL 2018/04/25		
▽ = 0	2 PLACES	± 0.1	INITIAL REVISION:		DOCUMENT NUMBER
▽ = 0	1 PLACE	± 0.2	DRWN: JFLETCHER 2015/12/16		934430060
▽ = 0	0 PLACES	±	APPR: JDWALLACE 2016/01/14		PSD 000 C1
■ = 0	DRAFT WHERE APPLICABLE MUST REMAIN WITHIN DIMENSIONS		THIRD ANGLE PROJECTION	DRAWING	SERIES
▽ = 0				A3-SIZE	93443
			MATERIAL NUMBER	CUSTOMER	SHEET NUMBER
			SE CHART	GENERAL MARKET	2 OF 9

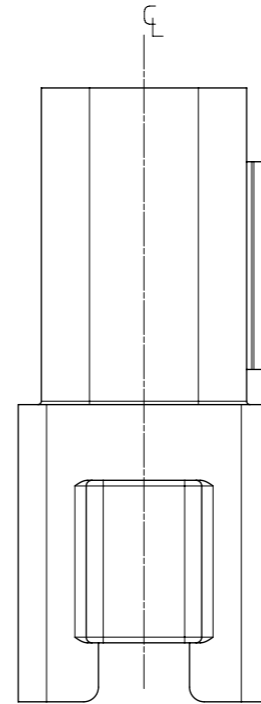
KEYING OPTION A



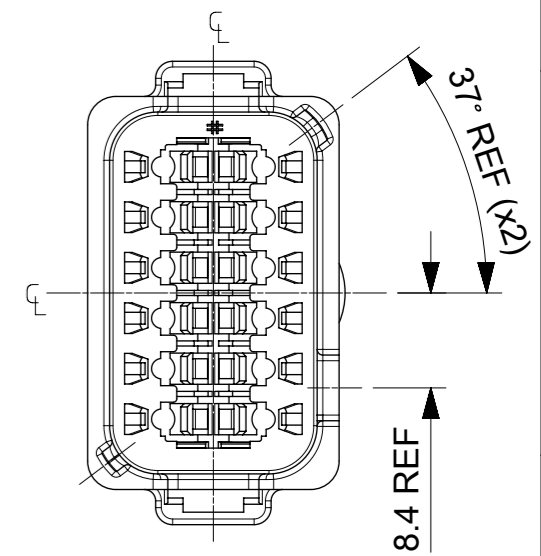
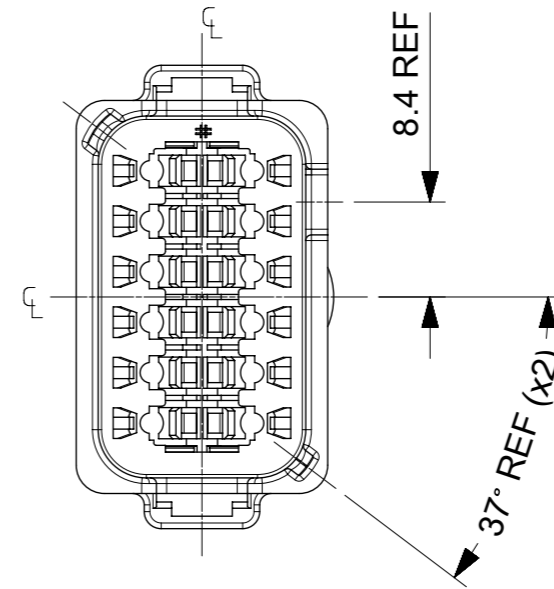
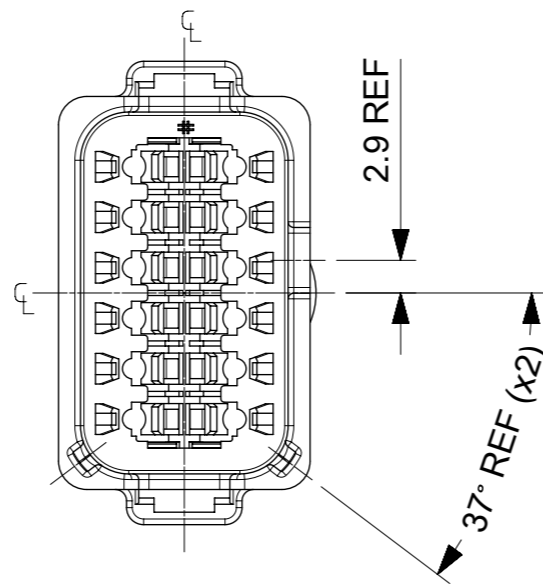
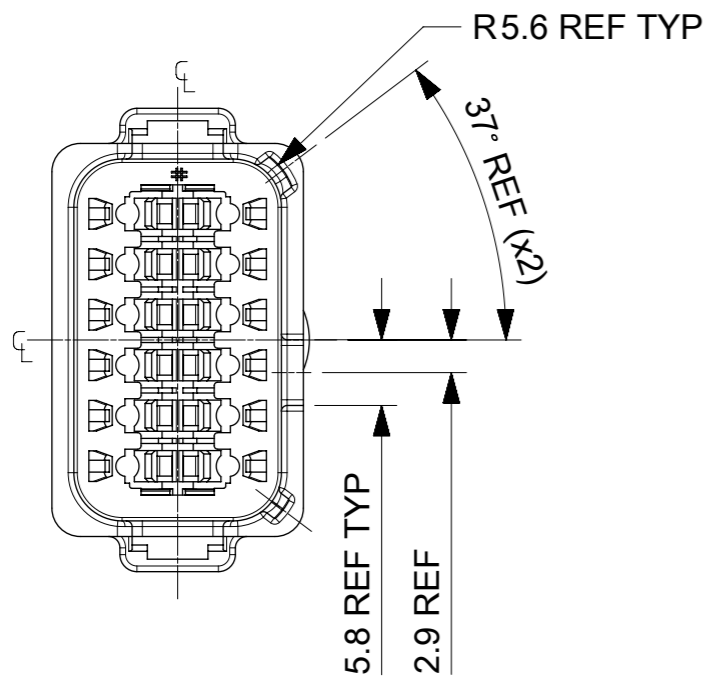
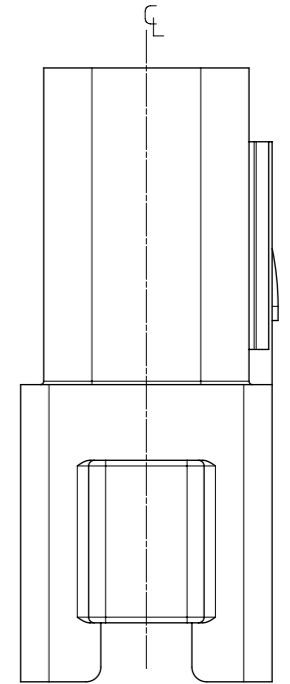
KEYING OPTION B



KEYING OPTION C

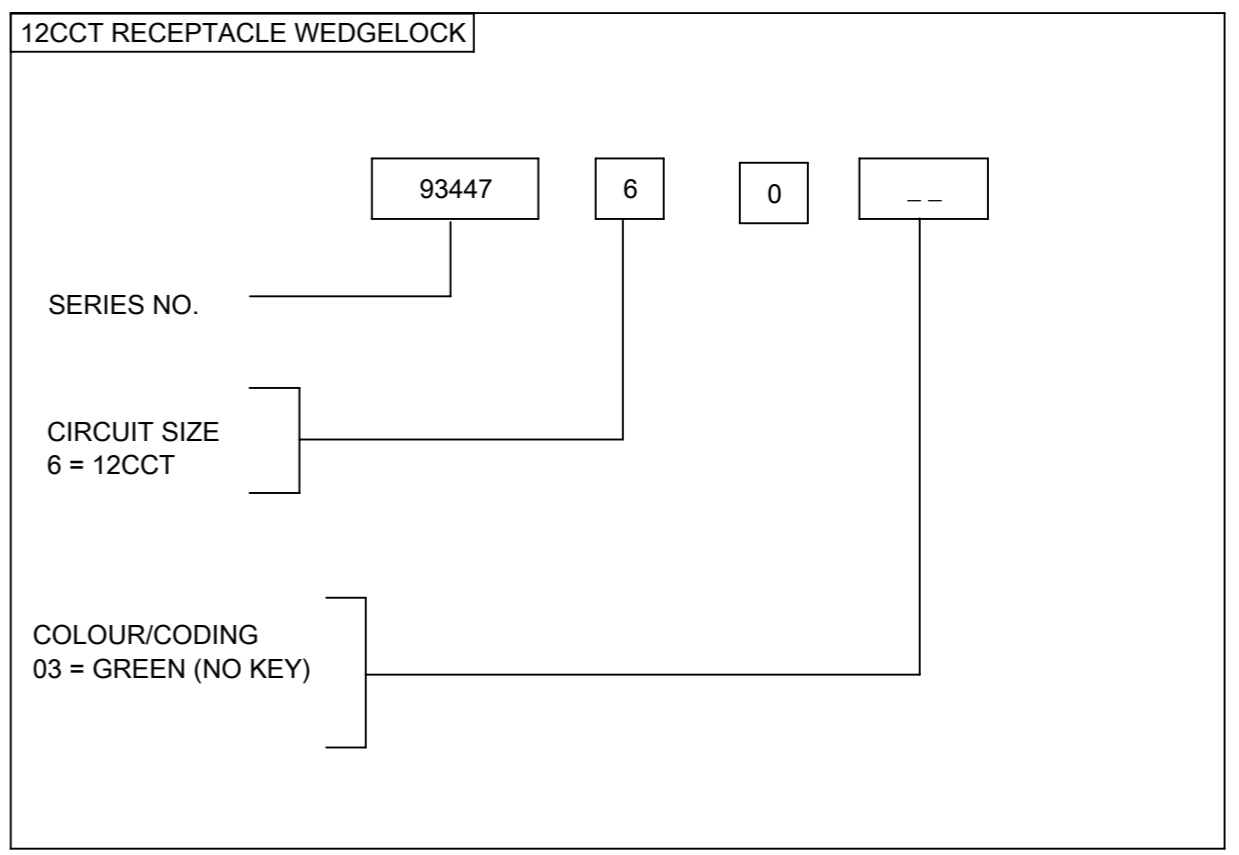
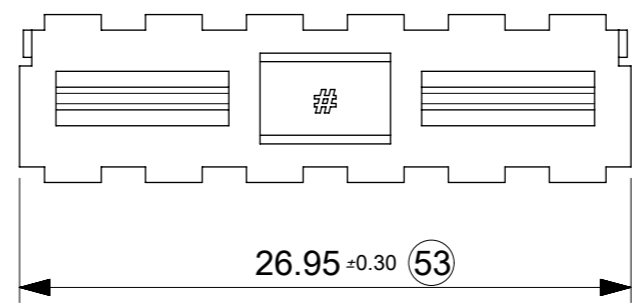
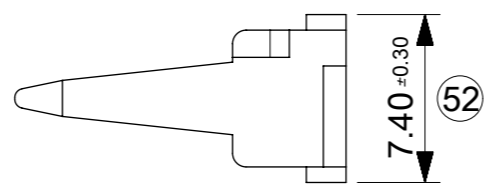
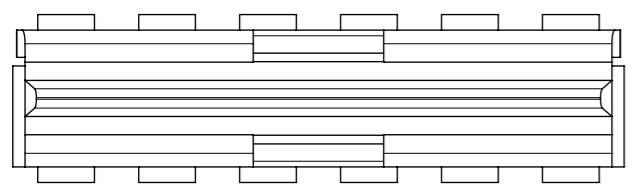
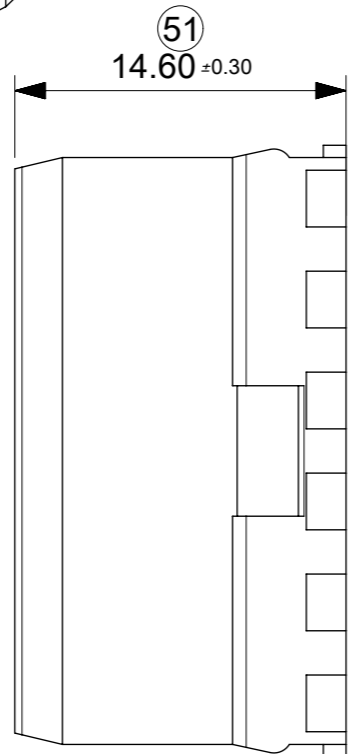
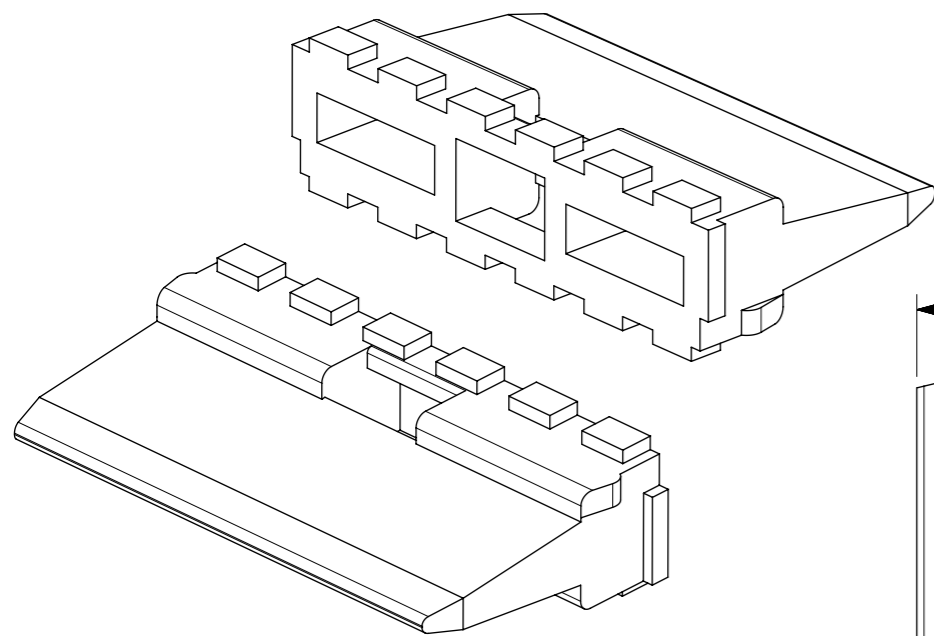


KEYING OPTION D



NOTES
1. SEE SHEETS 2 & 3 FOR UNSPECIFIED NOTES AND DIMENSIONS

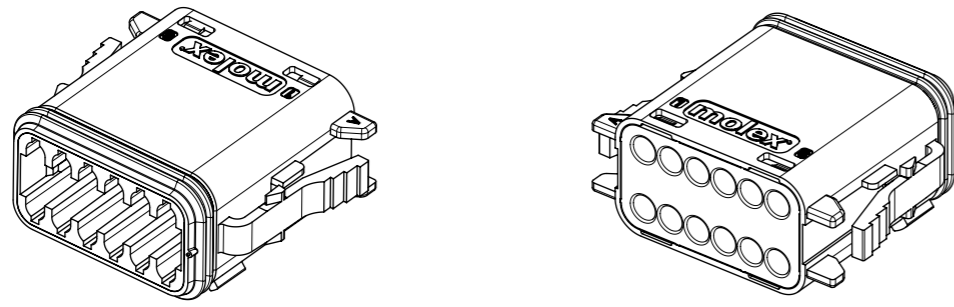
SYMBOLS	THIS DRAWING CONTAINS INFORMATION THAT IS PROPRIETARY TO MOLEX ELECTRONIC TECHNOLOGIES, LLC AND SHOULD NOT BE USED WITHOUT WRITTEN PERMISSION		CURRENT REV DESC: SEE LONG TEXT			molex		
	DIMENSION UNITS	SCALE						
▽ = 0	mm	1.5:1	EC NO: 173109			12CCT ML-XT CV CONNECTOR SYSTEM		
▽ = 0	GENERAL TOLERANCES (UNLESS SPECIFIED)		DRWN: JFLETCHER 2018/03/05			PRODUCT CUSTOMER DRAWING		
▽ = 0	ANGULAR TOL ± 2.0°		CHK'D: SMCGREEVY 2018/04/12			DOCUMENT NUMBER		
▽ = 0	4 PLACES ±		APPR: IOCONNELL 2018/04/25			DOC TYPE DOC PART REVISION		
▽ = 0	3 PLACES ±		INITIAL REVISION:			934430060		
▽ = 0	2 PLACES ± 0.1		DRWN: JFLETCHER 2015/12/16			PSD 000 C1		
▽ = 0	1 PLACE ± 0.2		APPR: JDWALLACE 2016/01/14			MATERIAL NUMBER		
▽ = 0	0 PLACES ±		THIRD ANGLE PROJECTION			CUSTOMER		
■ = 0	DRAFT WHERE APPLICABLE MUST REMAIN WITHIN DIMENSIONS		DRAWING			SHEET NUMBER		
▽ = 0			A3-SIZE			SE CHART GENERAL MARKET 4 OF 9		



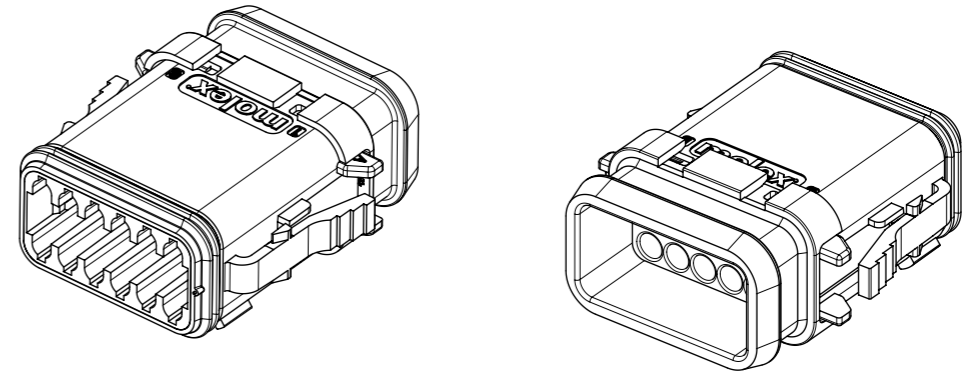
NOTES
 1. MATERIAL
 HOUSING: NYLON 30% GLASS FILLED
 2. INSPECTION NUMBERS 51-100
 RESERVED FOR SHEET 5
 LAST INSPECTION NUMBER 53

SYMBOLS		THIS DRAWING CONTAINS INFORMATION THAT IS PROPRIETARY TO MOLEX ELECTRONIC TECHNOLOGIES, LLC AND SHOULD NOT BE USED WITHOUT WRITTEN PERMISSION		CURRENT REV DESC: SEE LONG TEXT		molex	
▽ = 0	mm	SCALE	3:1	GENERAL TOLERANCES (UNLESS SPECIFIED)			
▽ = 0		ANGULAR TOL ± 2.0°		EC NO: 173109		PRODUCT CUSTOMER DRAWING	
▽ = 0	4 PLACES ±	DRWN: JFLETCHER 2018/03/05		DRWN: JFLETCHER 2015/12/16		DOCUMENT NUMBER	
▽ = 0	3 PLACES ±	CHK'D: SMCGREEVY 2018/04/12		CHK'D: SMCGREEVY 2018/04/12		DOC TYPE	
▽ = 0	2 PLACES ± 0.1	APPR: IOCONNELL 2018/04/25		APPR: IOCONNELL 2018/04/25		DOC PART	
▽ = 0	1 PLACE ± 0.2	INITIAL REVISION:		DRWN: JFLETCHER 2015/12/16		REVISION	
▽ = 0	0 PLACES ±	APPR: JDWALLACE 2016/01/14		APPR: JDWALLACE 2016/01/14		934430060	
■ = 0	DRAFT WHERE APPLICABLE MUST REMAIN WITHIN DIMENSIONS	THIRD ANGLE PROJECTION	DRAWING	SERIES	MATERIAL NUMBER	CUSTOMER	SHEET NUMBER
▽ = 0		⊕	A3-SIZE	93443	SE CHART	GENERAL MARKET	5 OF 9

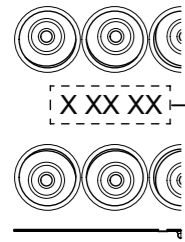
12CCT PLUG CONNECTOR



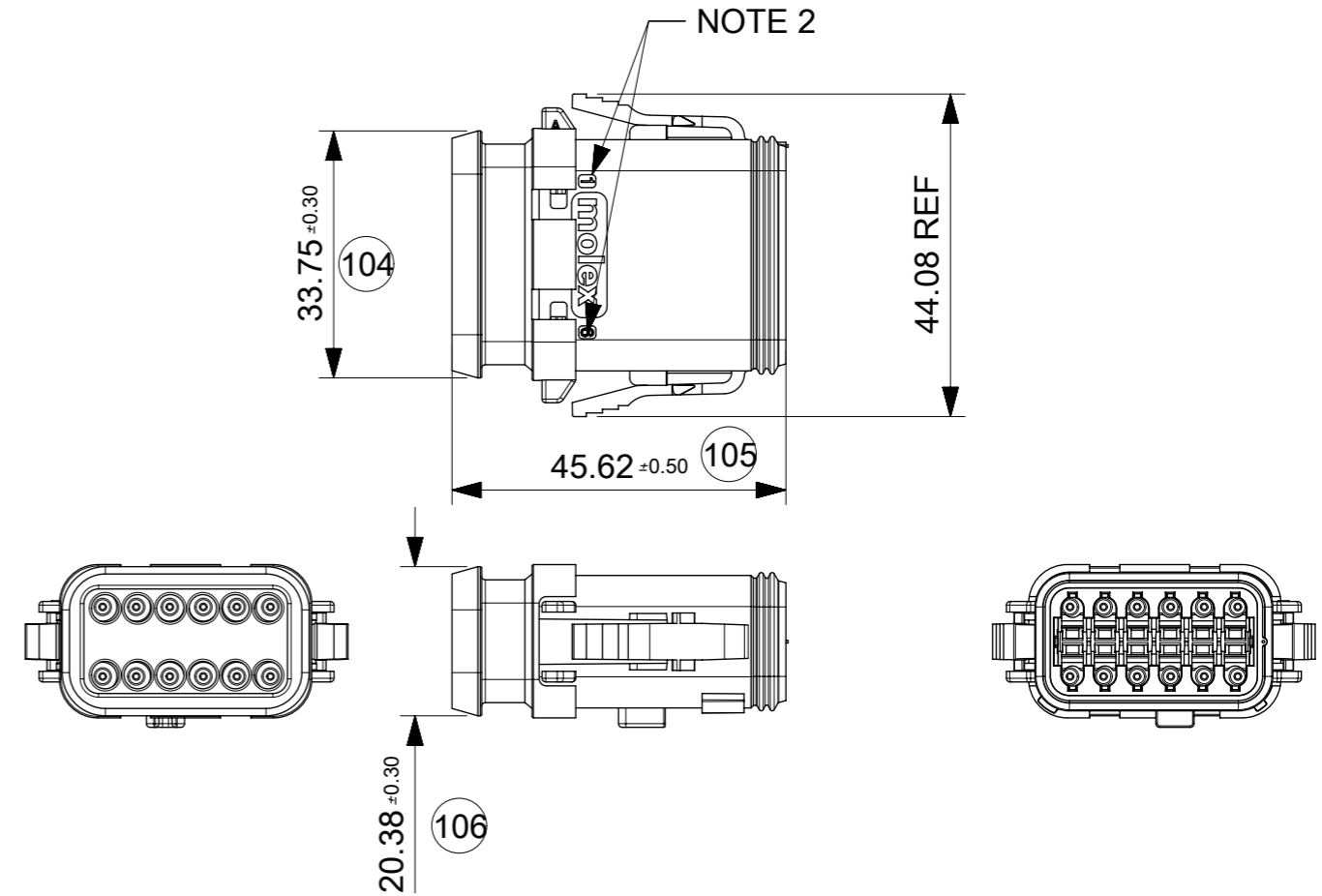
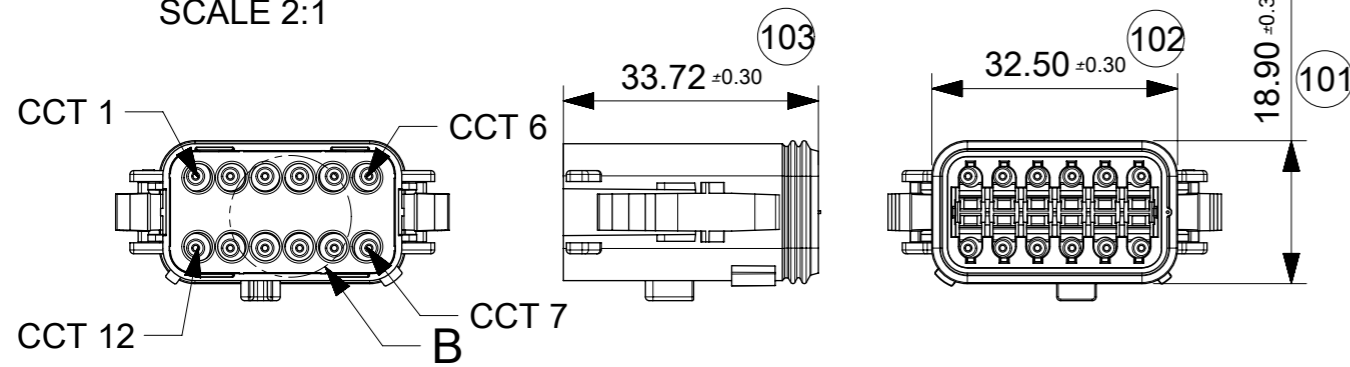
12CCT PLUG CONNECTOR WITH HEATSHRINK HOUSING ULTRASONICALLY WELDED IN PLACE



DATE CODE: X XX XX
 X — DAY: 1-7
 X — WEEK: 01 - 52
 X — YEAR: 00 - 99
 # — MACHINE NO. 1
 EXAMPLE: 11315 = DAY 1, WEEK 13, YEAR 15
 i.e. 23rd OF MARCH 2015

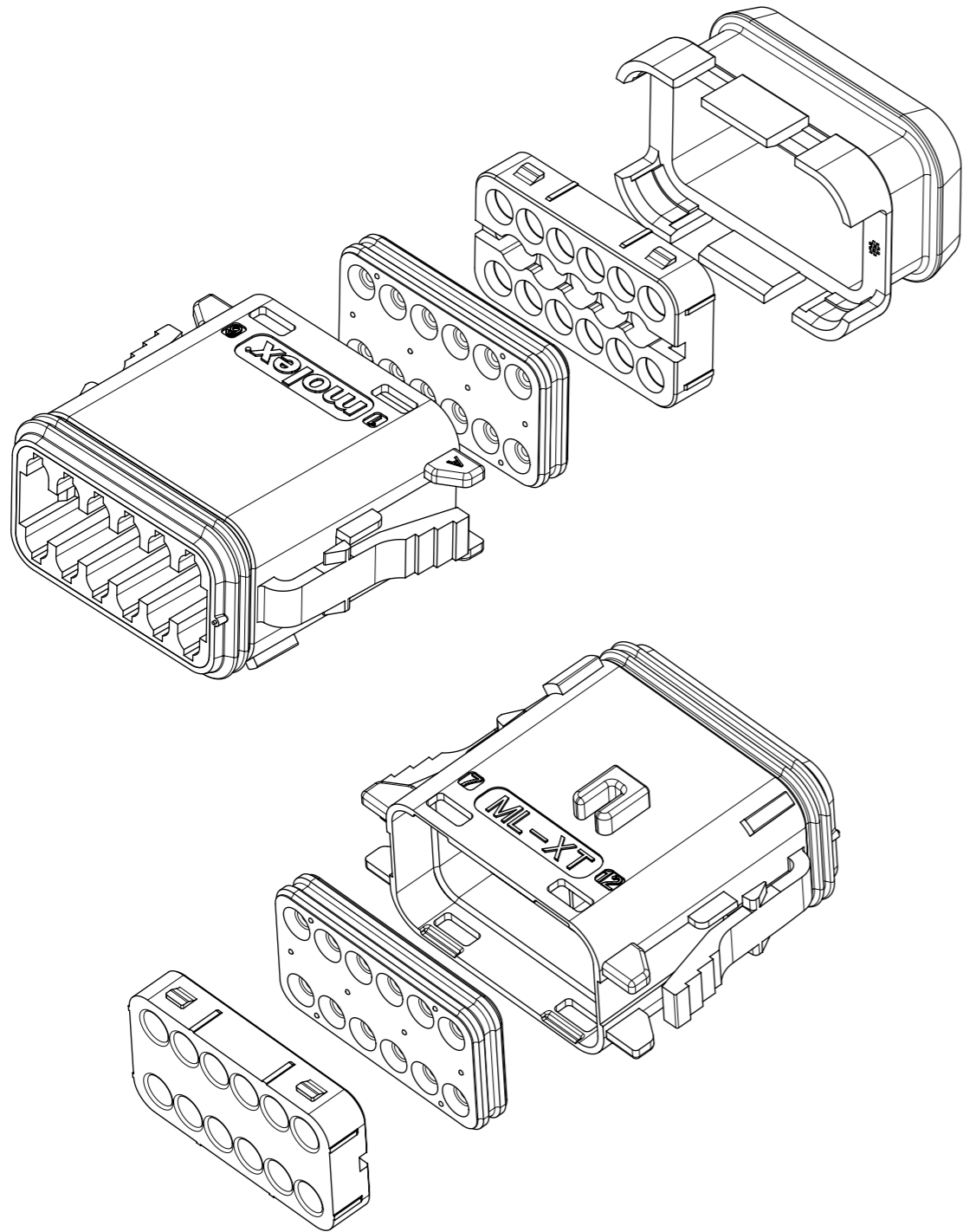


DETAIL B
 SCALE 2:1



- NOTES
- MATERIAL
 HOUSING: NYLON 30% GLASS FILL
 PLUG SEAL: SILICONE
 BACK SEAL: HIGH CONSISTENCY RUBBER
 - CIRCUIT IDENTIFICATION
 - JACKET RANGE LARGE = \varnothing 2.23mm TO 3.68mm (SEAL COLOUR: LIGHT BLUE)
 JACKET RANGE SMALL = \varnothing 1.35mm TO 3.05mm (SEAL COLOUR: BURNT ORANGE)
 - SEE SHEET 7 FOR FINAL PART NUMBER DESIGNATION
 - SEE 934430010 PSP FOR PRODUCT SPECIFICATION
 - SEE 934430002 PS K FOR PACKAGING SPECIFICATION
- INSPECTION NUMBERS 101-150 RESERVED FOR SHEET 6
 LAST INSPECTION NUMBER 106

SYMBOLS		THIS DRAWING CONTAINS INFORMATION THAT IS PROPRIETARY TO MOLEX ELECTRONIC TECHNOLOGIES, LLC AND SHOULD NOT BE USED WITHOUT WRITTEN PERMISSION	
$\nabla = 0$	mm	SCALE	1:1
$\nabla = 0$	GENERAL TOLERANCES (UNLESS SPECIFIED)		
$\nabla = 0$	ANGULAR TOL $\pm 2.0^\circ$		
$\nabla = 0$	4 PLACES	±	
$\nabla = 0$	3 PLACES	±	
$\nabla = 0$	2 PLACES	± 0.1	
$\nabla = 0$	1 PLACE	± 0.2	
$\nabla = 0$	0 PLACES	±	
$\blacksquare = 0$	DRAFT WHERE APPLICABLE MUST REMAIN WITHIN DIMENSIONS		
$\nabla = 0$	THIRD ANGLE PROJECTION		
CURRENT REV DESC: SEE LONG TEXT		molex	
EC NO: 173109		12CCT ML-XT CV CONNECTOR SYSTEM	
DRWN: JFLETCHER 2018/03/05		PRODUCT CUSTOMER DRAWING	
CHK'D: SMCGREEVY 2018/04/12		DOCUMENT NUMBER	
APPR: IOCONNELL 2018/04/25		934430060	
INITIAL REVISION:		DOC TYPE	
DRWN: JFLETCHER 2015/12/16		PSD	
APPR: JDWALLACE 2016/01/14		DOC PART	
SERIES		000	
93443		REVISION	
MATERIAL NUMBER		C1	
CUSTOMER		SHEET NUMBER	
SE CHART		6 OF 9	
GENERAL MARKET			



12CCT PLUG CONNECTOR

SERIES NO.

93445

CIRCUIT SIZE
6 = 12CCT

6

-

- -

ASSEMBLY OPTIONS

- 1 = PLUG ASSEMBLY FOR WIRE JACKET RANGE \varnothing 1.35mm - 3.05mm
- 2 = PLUG ASSEMBLY FOR WIRE JACKET RANGE \varnothing 2.23mm - 3.68mm
- 5 = PLUG ASSEMBLY & HEATSHRINK FOR WIRE JACKET RANGE \varnothing 1.35mm - 3.05mm
- 6 = PLUG ASSEMBLY & HEATSHRINK FOR WIRE JACKET RANGE \varnothing 2.23mm - 3.68mm

KEYING / COLOUR OPTION

- 12 = KEYING OPTION A (GREY)
- 11 = KEYING OPTION A (BLACK)
- 21 = KEYING OPTION B (BLACK)
- 33 = KEYING OPTION C (GREEN)
- 47 = KEYING OPTION D (BROWN)
- 52 = KEYING OPTION E (GREY)

EXAMPLE:

12CCT PLUG & HEATSHRINK FOR WIRE JACKET RANGE \varnothing 1.35mm-3.05mm, KEYING OPTION A (GREY): 93445-6512

NOTES

1. SEE SHEET 6 FOR UNSPECIFIED NOTES AND DIMENSIONS
2. BACK COVER COLOUR: BLACK
3. HEATSHRINK HOUSING COLOUR: BLACK

SYMBOLS = 0 = 0 = 0 = 0 = 0 = 0 = 0 = 0 = 0 = 0	THIS DRAWING CONTAINS INFORMATION THAT IS PROPRIETARY TO MOLEX ELECTRONIC TECHNOLOGIES, LLC AND SHOULD NOT BE USED WITHOUT WRITTEN PERMISSION DIMENSION UNITS: mm SCALE: 1:1	CURRENT REV DESC: SEE LONG TEXT EC NO: 173109 DRWN: JFLETCHER 2018/03/05 CHK'D: SMCGREEVY 2018/04/12 APPR: IOCONNELL 2018/04/25			
	GENERAL TOLERANCES (UNLESS SPECIFIED) ANGULAR TOL \pm 2.0°	INITIAL REVISION: DRWN: JFLETCHER 2015/12/16 APPR: JDWALLACE 2016/01/14	12CCT ML-XT CV CONNECTOR SYSTEM		
	4 PLACES \pm 3 PLACES \pm 2 PLACES \pm 0.1 1 PLACE \pm 0.2 0 PLACES \pm	PRODUCT CUSTOMER DRAWING DOCUMENT NUMBER: 934430060 DOC TYPE: PSD DOC PART: 000 REVISION: C1			
	DRAFT WHERE APPLICABLE MUST REMAIN WITHIN DIMENSIONS THIRD ANGLE PROJECTION DRAWING: A3-SIZE SERIES: 93443 MATERIAL NUMBER: SE CHART CUSTOMER: GENERAL MARKET SHEET NUMBER: 7 OF 9				

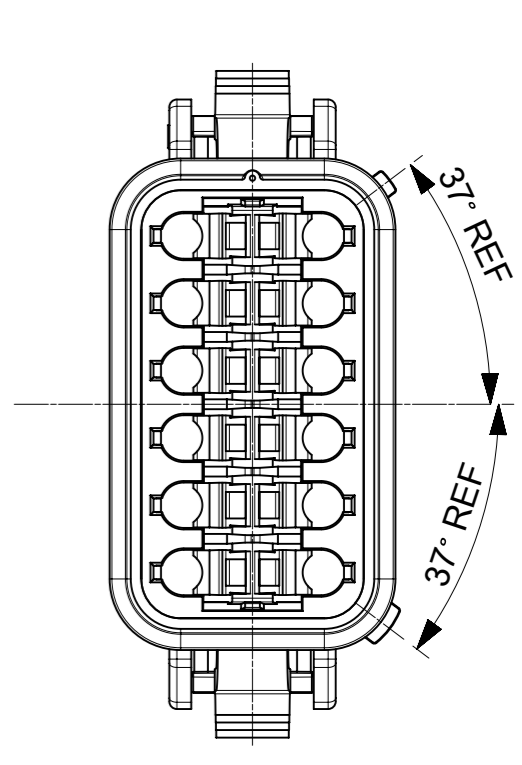
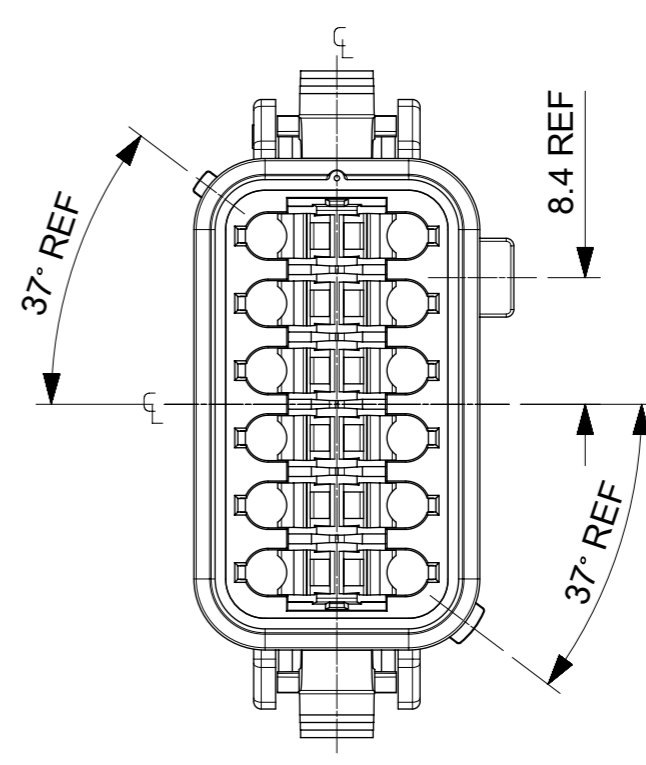
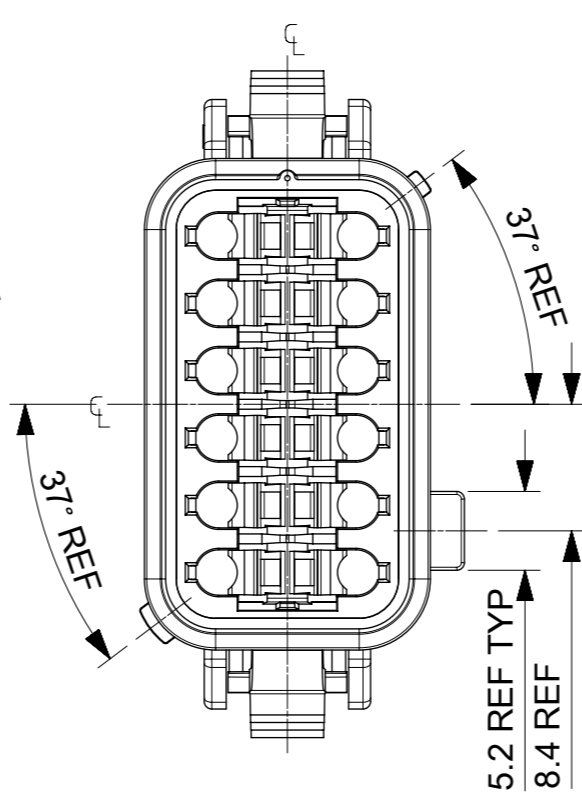
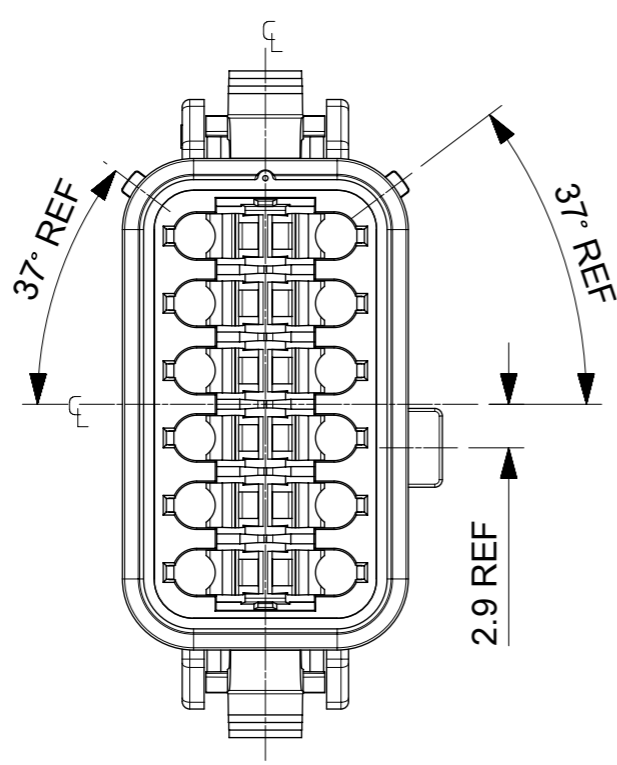
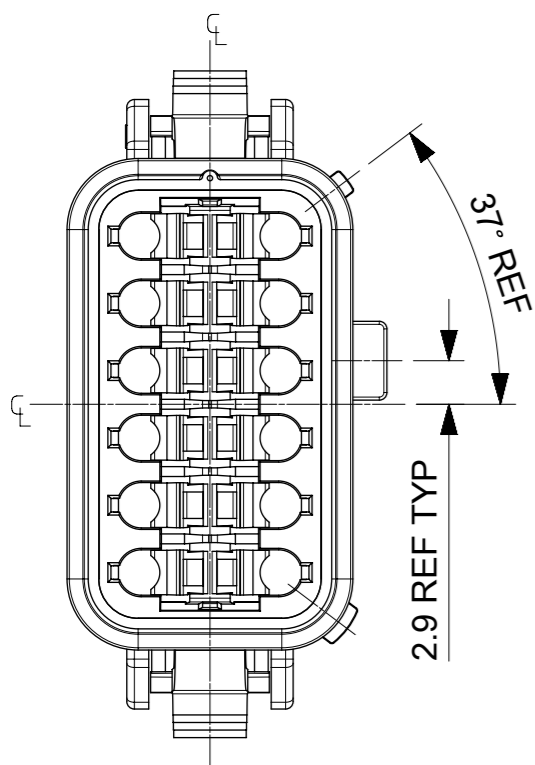
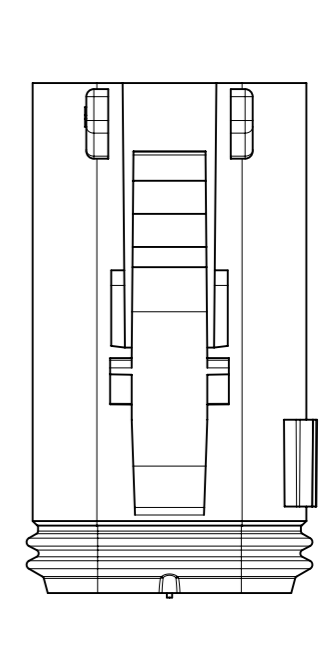
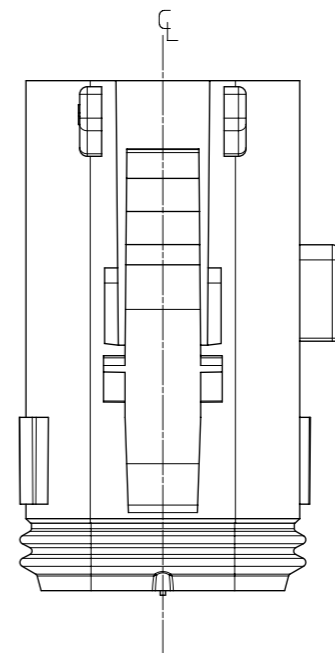
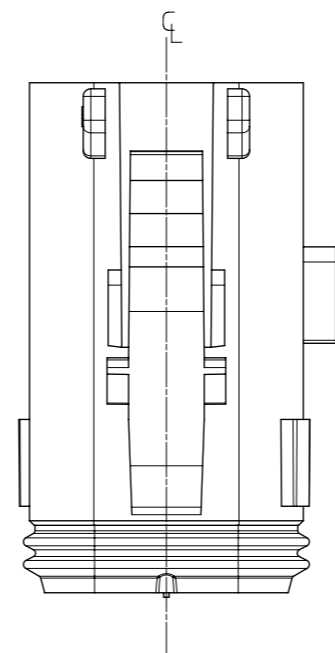
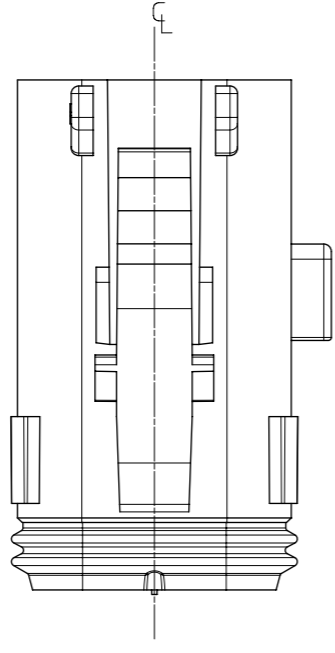
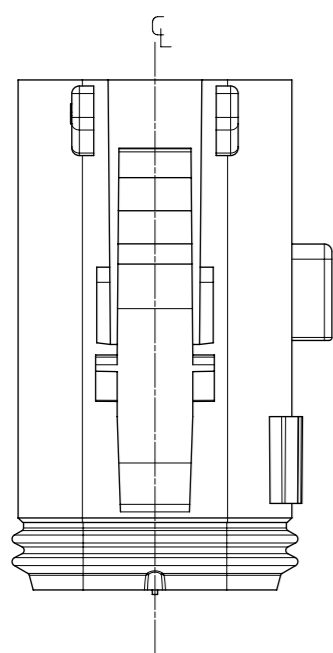
KEYING OPTION A

KEYING OPTION B

KEYING OPTION C

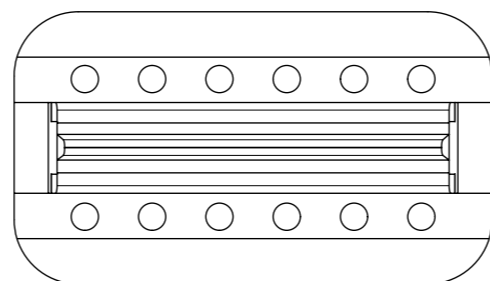
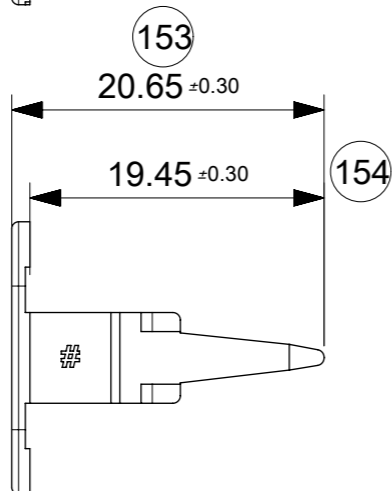
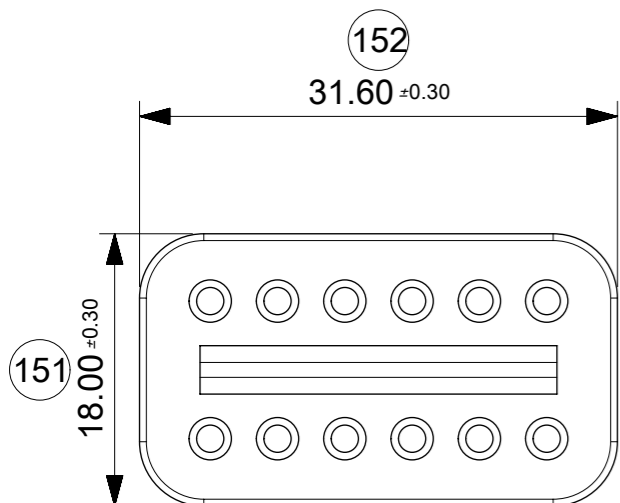
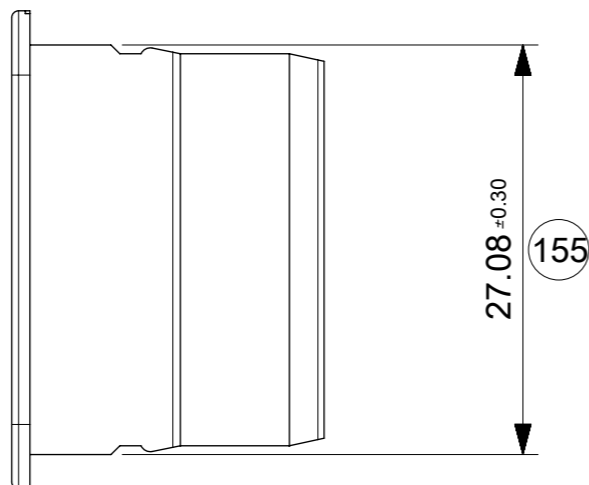
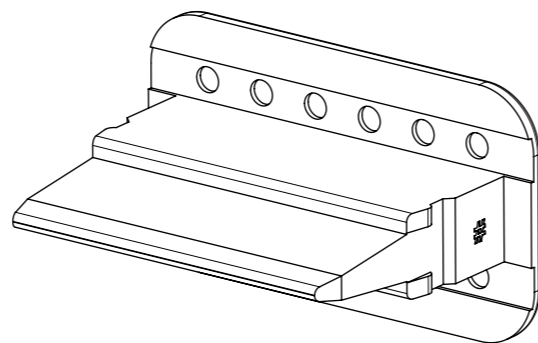
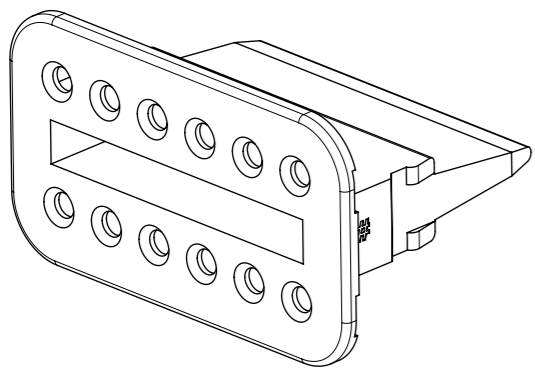
KEYING OPTION D

KEYING OPTION E

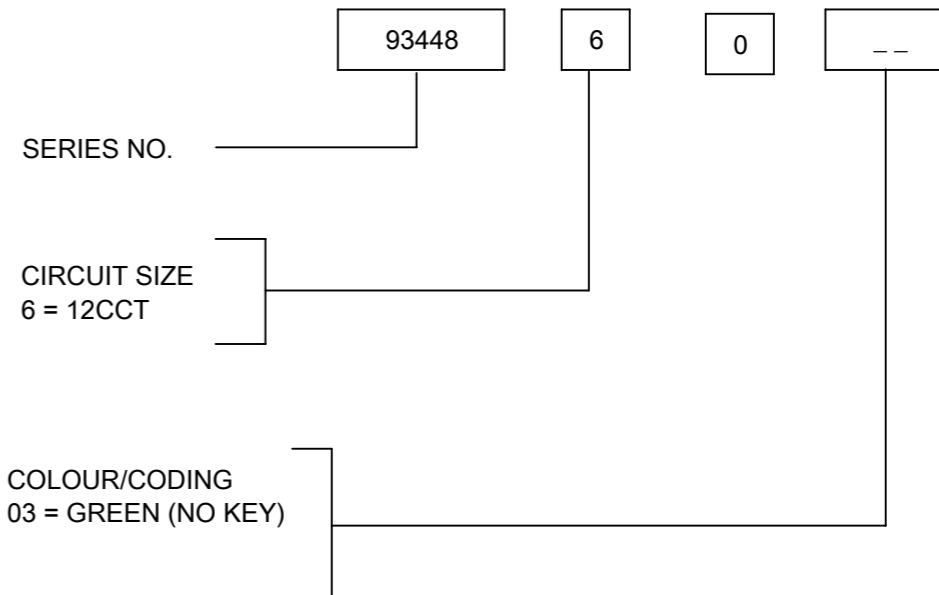


NOTES
1. SEE SHEETS 6 & 7 FOR UNSPECIFIED NOTES AND DIMENSIONS

SYMBOLS	THIS DRAWING CONTAINS INFORMATION THAT IS PROPRIETARY TO MOLEX ELECTRONIC TECHNOLOGIES, LLC AND SHOULD NOT BE USED WITHOUT WRITTEN PERMISSION		CURRENT REV DESC: SEE LONG TEXT			molex		
	DIMENSION UNITS	SCALE						
▽ = 0	mm	2:1	934430060	PSD	000	C1	12CCT ML-XT CV CONNECTOR SYSTEM	
▽ = 0	GENERAL TOLERANCES (UNLESS SPECIFIED)		EC NO: 173109			PRODUCT CUSTOMER DRAWING		
▽ = 0	ANGULAR TOL ± 2.0°		DRWN: JFLETCHER 2018/03/05			DOCUMENT NUMBER		
▽ = 0	4 PLACES ±		CHK'D: SMCGREEVY 2018/04/12			DOC TYPE		
▽ = 0	3 PLACES ±		APPR: IOCONNELL 2018/04/25			DOC PART		
▽ = 0	2 PLACES ± 0.1		INITIAL REVISION:			REVISION		
▽ = 0	1 PLACE ± 0.2		DRWN: JFLETCHER 2015/12/16			934430060		
▽ = 0	0 PLACES ±		APPR: JDWALLACE 2016/01/14			PSD		
■ = 0	DRAFT WHERE APPLICABLE MUST REMAIN WITHIN DIMENSIONS		THIRD ANGLE PROJECTION		DRAWING	SERIES	MATERIAL NUMBER	CUSTOMER
▽ = 0			A3-SIZE		A3-SIZE	93443	SE CHART	GENERAL MARKET
							SHEET NUMBER	
							8 OF 9	



12CCT PLUG WEDGELOCK



NOTES
 1. MATERIAL
 HOUSING: NYLON 30% GLASS FILL
 2. INSPECTION NUMBERS 151-200 RESERVED FOR SHEET 9
 LAST INSPECTION NUMBER 155

SYMBOLS	THIS DRAWING CONTAINS INFORMATION THAT IS PROPRIETARY TO MOLEX ELECTRONIC TECHNOLOGIES, LLC AND SHOULD NOT BE USED WITHOUT WRITTEN PERMISSION		CURRENT REV DESC: SEE LONG TEXT			molex		
	DIMENSION UNITS	SCALE						
▽ = 0	mm	2:1	EC NO: 173109			PRODUCT CUSTOMER DRAWING		
▽ = 0	GENERAL TOLERANCES (UNLESS SPECIFIED)		DRWN: JFLETCHER 2018/03/05			DOCUMENT NUMBER		
▽ = 0	ANGULAR TOL ± 2.0°		CHK'D: SMCGREEVY 2018/04/12			DOC TYPE DOC PART REVISION		
▽ = 0	4 PLACES ±		APPR: IOCONNELL 2018/04/25			934430060 PSD 000 C1		
▽ = 0	3 PLACES ±		INITIAL REVISION:			MATERIAL NUMBER		
▽ = 0	2 PLACES ± 0.1		DRWN: JFLETCHER 2015/12/16			CUSTOMER		
▽ = 0	1 PLACE ± 0.2		APPR: JDWALLACE 2016/01/14			SE CHART GENERAL MARKET		
▽ = 0	0 PLACES ±		DRAFT WHERE APPLICABLE MUST REMAIN WITHIN DIMENSIONS			SHEET NUMBER		
▽ = 0	THIRD ANGLE PROJECTION		DRAWING			SERIES		
▽ = 0	DRAWING		A3-SIZE			93443		